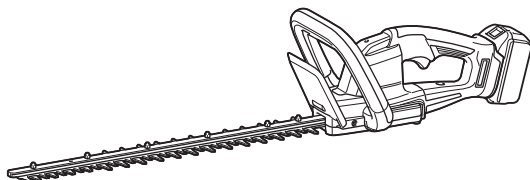
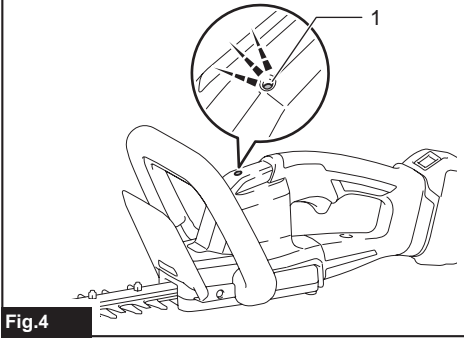
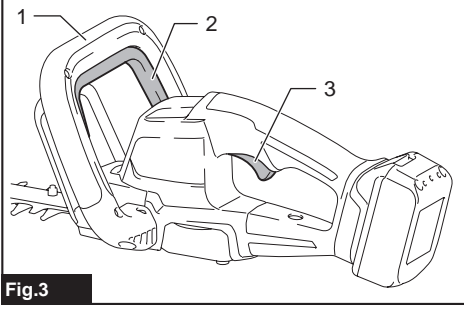
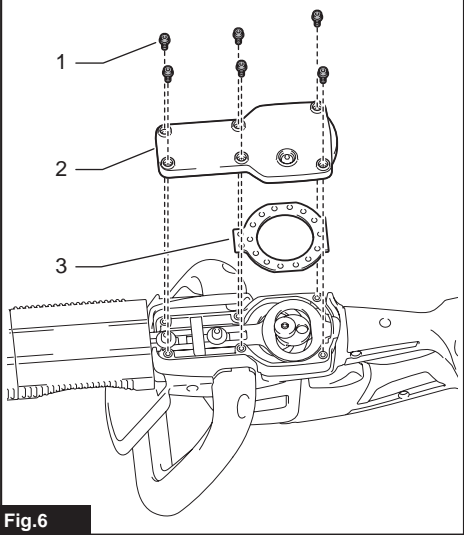
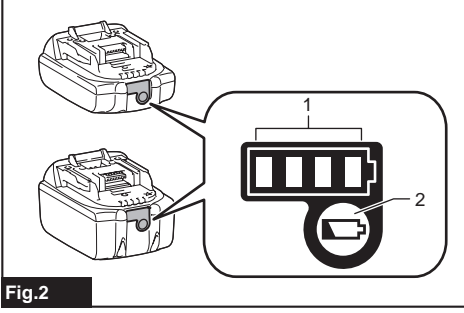
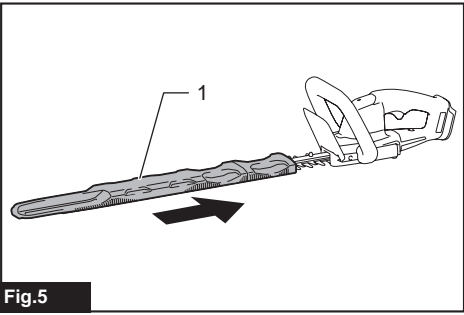
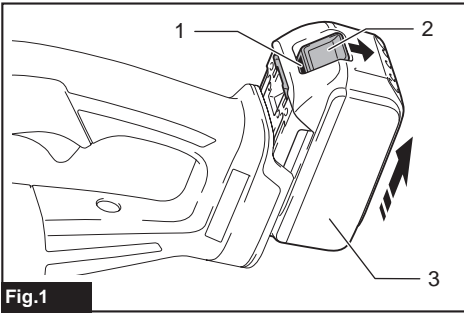


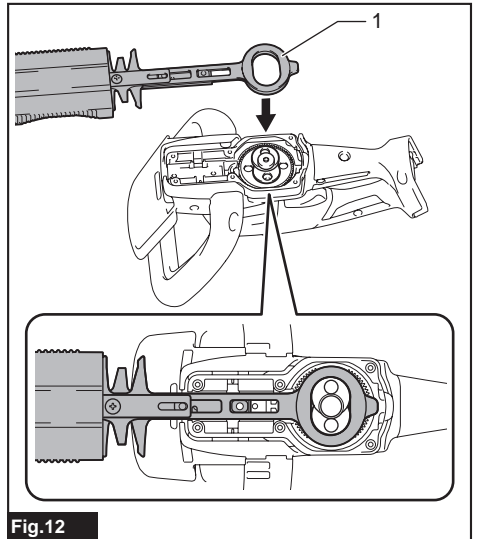
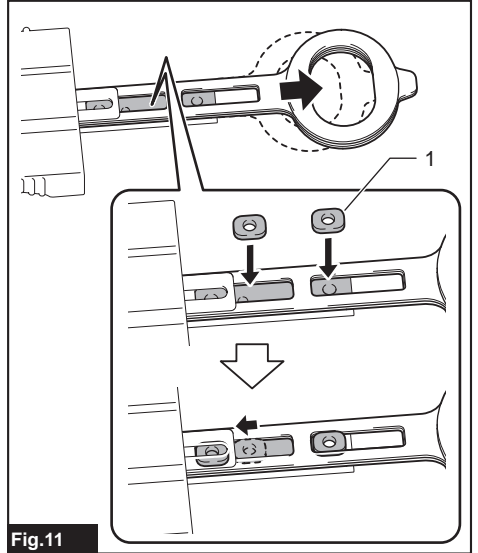
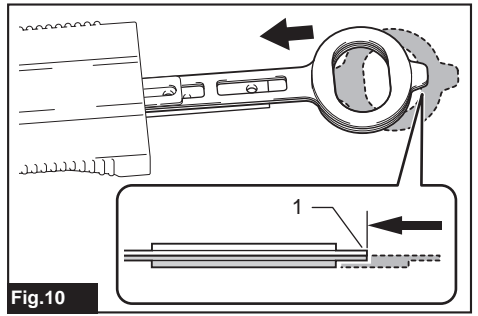
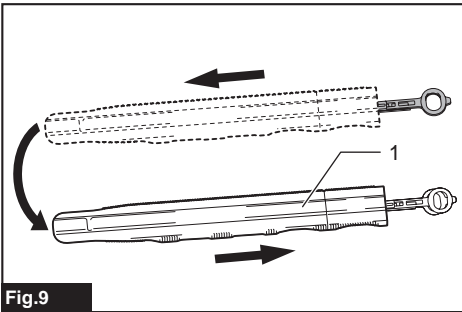
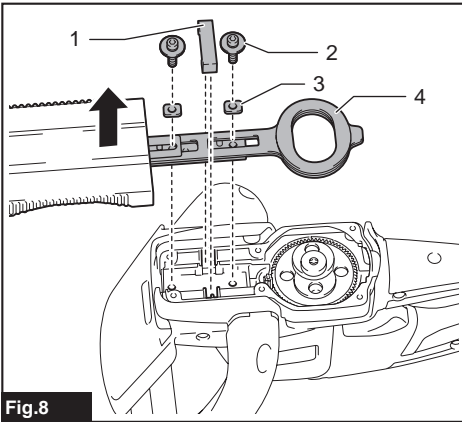
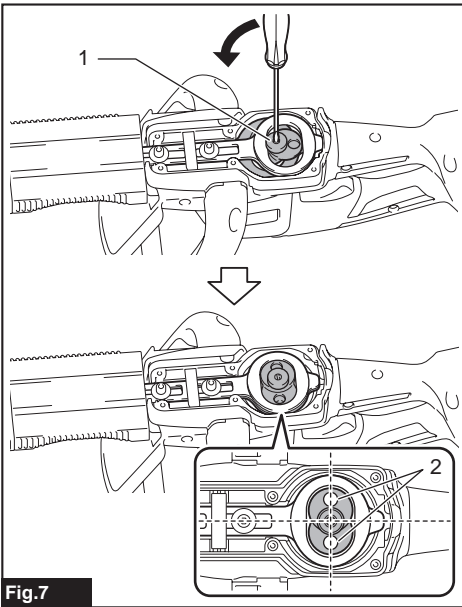


EN	Cordless Hedge Trimmer	INSTRUCTION MANUAL	8
SL	Brezjični rezalnik za živo mejo	NAVODILA ZA UPORABO	17
SQ	Prerës shkurresh me bateri	MANUALI I PËRDORIMIT	26
BG	Акумулаторен хросторез	РЪКОВОДСТВО ЗА ЕКСПЛОАТАЦИЯ	36
HR	Bežični trimer za živicu	PRIRUČNIK S UPUTAMA	47
MK	Безжична фреза за жива ограда	УПАТСТВО ЗА УПОТРЕБА	56
SR	Бежични тример за живу ограду	УПУТСТВО ЗА УПОТРЕБУ	66
RO	Mașină de tuns gardul viu fără cablu	MANUAL DE INSTRUCȚIUNI	76
UK	Акумуляторна пила для підрізання живоплоту	ІНСТРУКЦІЯ З ЕКСПЛУАТАЦІЇ	86
RU	Аккумуляторный Кусторез	РУКОВОДСТВО ПО ЭКСПЛУАТАЦИИ	97

DUH506
DUH606







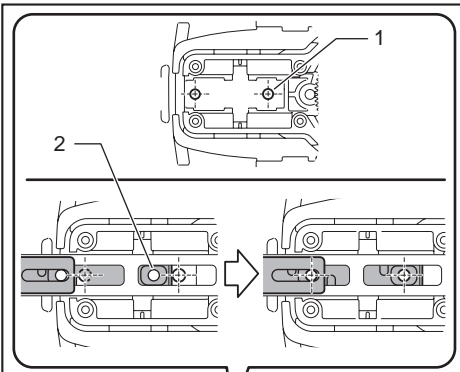


Fig.13

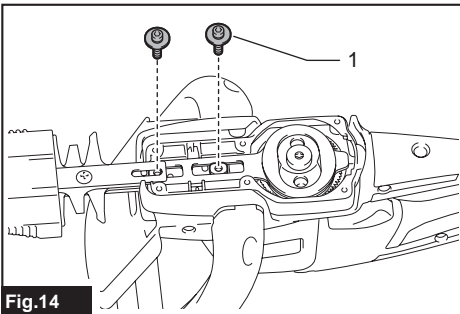


Fig.14

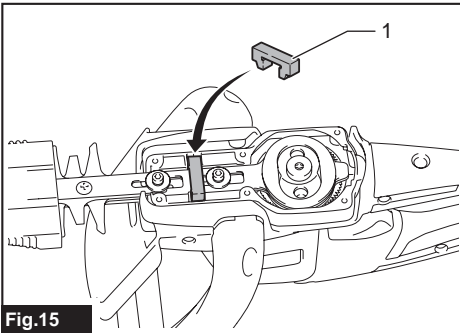


Fig.15

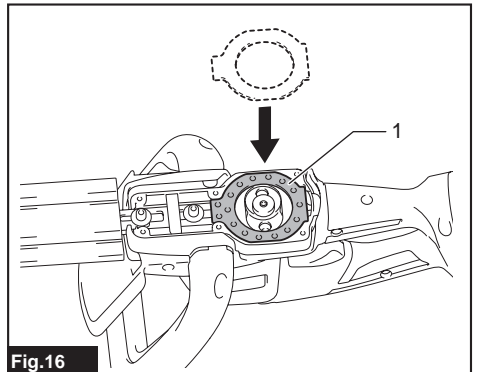


Fig.16

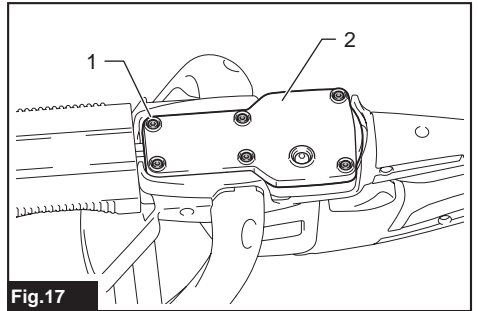


Fig.17

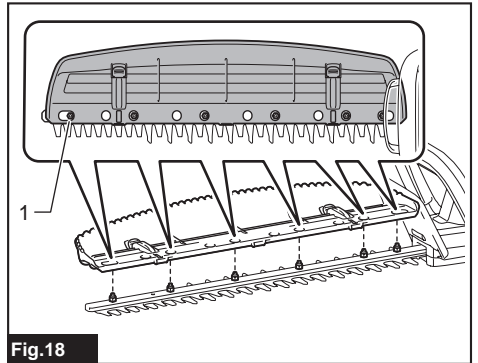


Fig.18

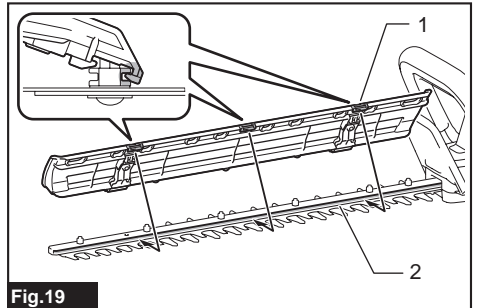
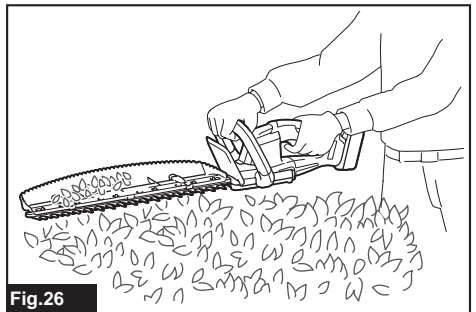
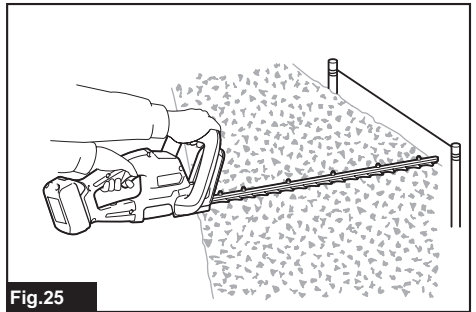
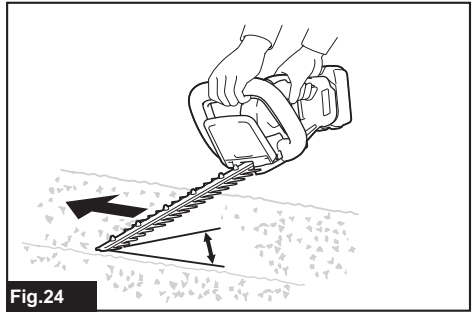
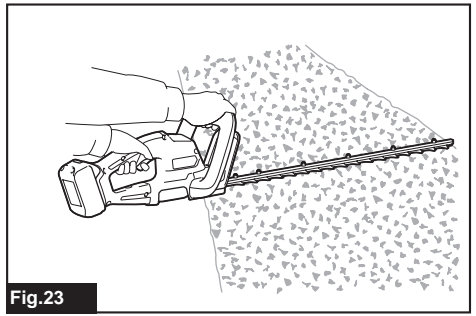
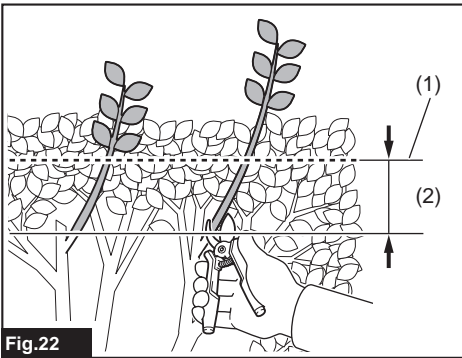
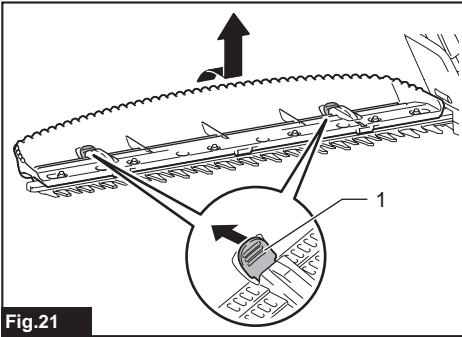
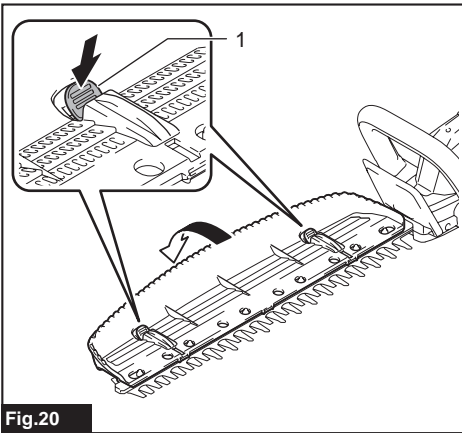


Fig.19



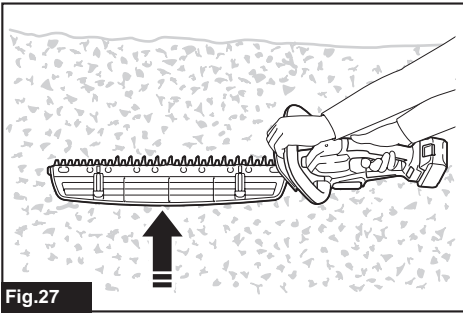


Fig.27

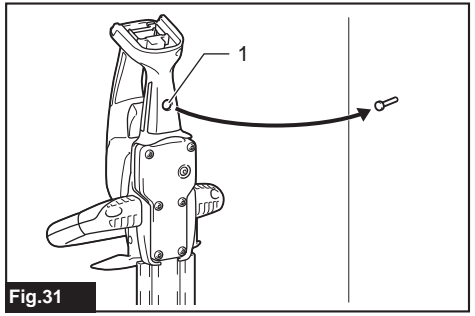


Fig.31

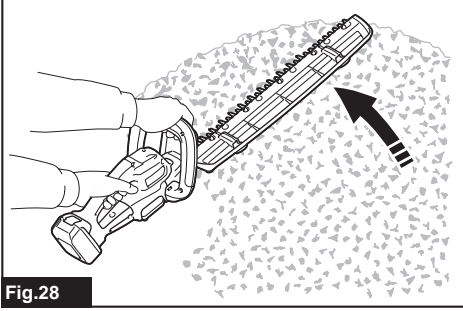


Fig.28

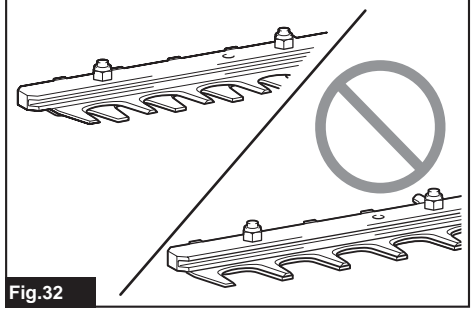


Fig.32

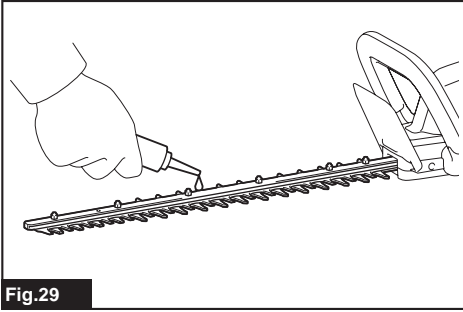


Fig.29

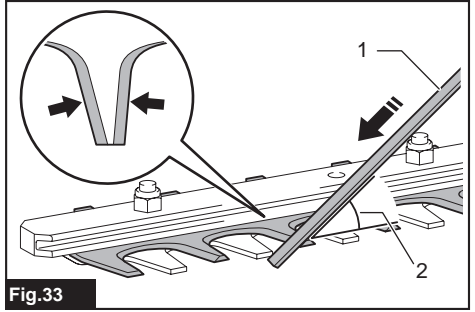


Fig.33

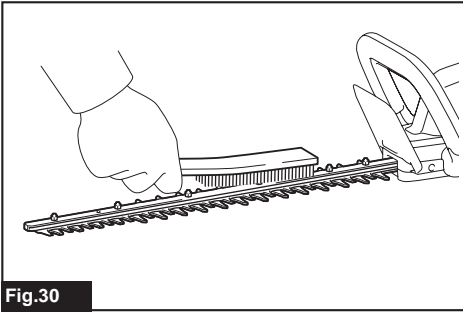


Fig.30

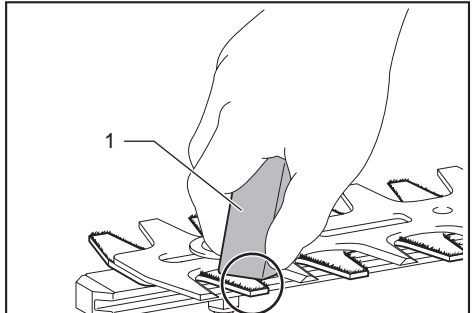


Fig.34

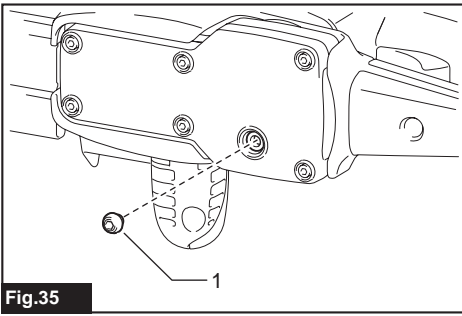


Fig.35

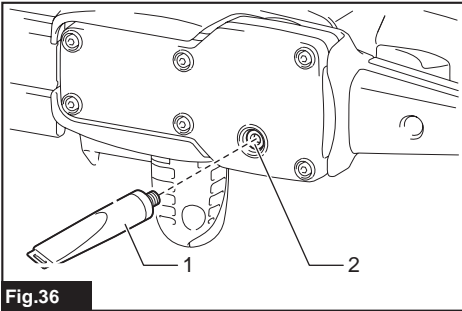


Fig.36

SPECIFICATIONS

Model:	DUH506	DUH606
Blade length	500 mm	600 mm
Strokes per minute	4,000 min ⁻¹	
Overall length (Without battery)	846 mm	965 mm
Rated voltage	D.C. 18 V	
Net weight	2.5 - 2.9 kg	2.7 - 3.0 kg

- Due to our continuing program of research and development, the specifications herein are subject to change without notice.
- Specifications may differ from country to country.
- The weight may differ depending on the attachment(s), including the battery cartridge. The lightest and heaviest combination, according to EPTA-Procedure 01/2014, are shown in the table.

Applicable battery cartridge and charger

Battery cartridge	BL1815N / BL1820B / BL1830B / BL1840B / BL1850B / BL1860B
Charger	DC18RC / DC18RD / DC18RE / DC18SD / DC18SE / DC18SF / DC18SH / DC18WC

- Some of the battery cartridges and chargers listed above may not be available depending on your region of residence.

⚠ WARNING: Only use the battery cartridges and chargers listed above. Use of any other battery cartridges and chargers may cause injury and/or fire.





Recommended cord connected power source

Portable power pack	PDC01
---------------------	-------

- The cord connected power source(s) listed above may not be available depending on your region of residence.
- Before using the cord connected power source, read instruction and cautionary markings on them.

Symbols

The followings show the symbols which may be used for the equipment. Be sure that you understand their meaning before use.

	Read instruction manual.
	Wear eye protection.
	DANGER - Keep hands away from blade.
	Do not expose to moisture.



Ni-MH
Li-ion

Only for EU countries

Due to the presence of hazardous components in the equipment, waste electrical and electronic equipment, accumulators and batteries may have a negative impact on the environment and human health. Do not dispose of electrical and electronic appliances or batteries with household waste! In accordance with the European Directive on waste electrical and electronic equipment and on accumulators and batteries and waste accumulators and batteries, as well as their adaptation to national law, waste electrical equipment, batteries and accumulators should be stored separately and delivered to a separate collection point for municipal waste, operating in accordance with the regulations on environmental protection. This is indicated by the symbol of the crossed-out wheeled bin placed on the equipment.



Guaranteed sound power level according to EU Outdoor Noise Directive.



Sound power level according to Australia NSW Noise Control Regulation.

Intended use

The tool is intended for trimming hedges.

Noise

Applicable standard : EN62841-4-2

Model	Sound pressure level		Sound power level	
	L _{pA} (dB(A))	Uncertainty K (dB(A))	L _{WA} (dB(A))	Uncertainty K (dB(A))
DUH506	77	3	88	3
DUH606	79	3	90	3

NOTE: The declared noise emission value(s) has been measured in accordance with a standard test method and may be used for comparing one tool with another.

NOTE: The declared noise emission value(s) may also be used in a preliminary assessment of exposure.

⚠ WARNING: Wear ear protection.

⚠ WARNING: The noise emission during actual use of the power tool can differ from the declared value(s) depending on the ways in which the tool is used especially what kind of workpiece is processed.

⚠ WARNING: Be sure to identify safety measures to protect the operator that are based on an estimation of exposure in the actual conditions of use (taking account of all parts of the operating cycle such as the times when the tool is switched off and when it is running idle in addition to the trigger time).

Vibration

The vibration total value (tri-axial vector sum) determined according to EN62841-4-2:

Model	Front handle		Rear handle	
	ah (m/s ²)	Uncertainty K (m/s ²)	ah (m/s ²)	Uncertainty K (m/s ²)
DUH506	2.5 m/s ² or less	1.5	2.5 m/s ² or less	1.5
DUH606	2.5 m/s ² or less	1.5	2.5 m/s ² or less	1.5

NOTE: The declared vibration total value(s) has been measured in accordance with a standard test method and may be used for comparing one tool with another.

NOTE: The declared vibration total value(s) may also be used in a preliminary assessment of exposure.

⚠ WARNING: The vibration emission during actual use of the power tool can differ from the declared value(s) depending on the ways in which the tool is used especially what kind of workpiece is processed.

⚠ WARNING: Be sure to identify safety measures to protect the operator that are based on an estimation of exposure in the actual conditions of use (taking account of all parts of the operating cycle such as the times when the tool is switched off and when it is running idle in addition to the trigger time).

EC Declaration of Conformity

For European countries only

The EC declaration of conformity is included as Annex A to this instruction manual.

SAFETY WARNINGS

General power tool safety warnings

⚠ WARNING: Read all safety warnings, instructions, illustrations and specifications provided with this power tool. Failure to follow all instructions listed below may result in electric shock, fire and/or serious injury.

Save all warnings and instructions for future reference.

The term "power tool" in the warnings refers to your mains-operated (corded) power tool or battery-operated (cordless) power tool.

Cordless Hedge Trimmer Safety Warnings

1. **Keep all parts of the body away from the blade. Do not remove cut material or hold material to be cut when blades are moving.** Blades continue to move after the switch is turned off. A moment of inattention while operating the hedge trimmer may result in serious personal injury.
2. **Carry the hedge trimmer by the handle with the blade stopped and taking care not to operate any power switch.** Proper carrying of the hedge trimmer will decrease the risk of inadvertent starting and resultant personal injury from the blades.

3. **When transporting or storing the hedge trimmer, always fit the blade cover.** Proper handling of the hedge trimmer will decrease the risk of personal injury from the blades.
4. **When clearing jammed material or servicing the unit, make sure all power switches are off and the battery pack is removed or disconnected.** Unexpected actuation of the hedge trimmer while clearing jammed material or servicing may result in serious personal injury.
5. **Hold the hedge trimmer by insulated gripping surfaces only, because the blade may contact hidden wiring.** Blades contacting a "live" wire may make exposed metal parts of the hedge trimmer "live" and could give the operator an electric shock.
6. **Keep all power cords and cables away from cutting area.** Power cords or cables may be hidden in hedges or bushes and can be accidentally cut by the blade.
7. **Do not use the hedge trimmer in bad weather conditions, especially when there is a risk of lightning.** This decreases the risk of being struck by lightning.
8. **When handing the hedge trimmer to other person, once put the hedge trimmer on the ground and pick up the hedge trimmer after you completely take your hand off.** Passing the hedge trimmer by hand causes holding both the front handle and the rear handle at the same time, and then the hedge trimmer starts unintentionally. Unintentional starting may cause serious injury.
3. **DANGER - Keep hands away from blade.** Contact with blade will result in serious personal injury.
4. **Do not use the tool in the rain or in wet or very damp conditions.** The electric motor is not waterproof.
5. **Make sure you have a secure footing before starting operation.**
6. **Do not operate the tool at no-load unnecessarily.**
7. **Immediately switch off the tool and remove the battery cartridge if the shear blades should come into contact with a fence or other hard object. Check the blades for damage, and if damaged, replace the blades immediately.**
8. **Before checking the shear blades, taking care of faults, or removing material caught in the shear blades, always switch off the tool and remove the battery cartridge.**
9. **Never point the shear blades to yourself or others.**
10. **If the blades stop moving due to the stuck of foreign objects between the blades during operation, switch off the tool and remove the battery cartridge, and then remove the foreign objects using tools such as pliers.** Removing the foreign objects by hand may cause an injury for the reason that the blades may move in reaction to removing the foreign objects.

Additional Safety Instructions

Preparation

1. **Check the hedges and bushes for foreign objects, such as wire fences or hidden wiring before operating the tool.**
2. **The tool must not be used by children or young persons under 18 years of age.** Young persons over 16 years of age may be exempted from this restriction if they are undergoing training under the supervision of an expert.
3. **First-time users should have an experienced user show them how to use the tool.**
4. **Use the tool only if you are in good physical condition.** If you are tired, your attention will be reduced. Be especially careful at the end of a working day. Perform all work calmly and carefully. The user is responsible for all damages to third parties.
5. **Never use the tool when under the influence of alcohol, drugs or medication.**
6. **Work gloves of stout leather are part of the basic equipment of the tool and must always be worn when working with it. Also wear sturdy shoes with anti-skid soles.**
7. **Before starting work check to make sure that the tool is in good and safe working order. Ensure guards are fitted properly. The tool must not be used unless fully assembled.**

Operation

1. **Hold the tool firmly with both hands when using the tool.**
2. **The tool is intended to be used by the operator at ground level. Do not use the tool on ladders or any other unstable support.**

Electrical and battery safety

1. **Avoid dangerous environment. Don't use the tool in dump or wet locations or expose it to rain.** Water entering the tool will increase the risk of electric shock.
2. **Do not dispose of the battery(ies) in a fire.** The cell may explode. Check with local codes for possible special disposal instructions.
3. **Do not open or mutilate the battery(ies).** Released electrolyte is corrosive and may cause damage to the eyes or skin. It may be toxic if swallowed.
4. **Do not charge battery in rain, or in wet locations.**
5. **Do not charge the battery outdoors.**
6. **Do not handle charger, including charger plug, and charger terminals with wet hands.**

Maintenance and storage

1. **Switch off the tool and remove the battery cartridge before doing any maintenance work.**
2. **When moving the tool to another location, including during work, always remove the battery cartridge and put the blade cover on the shear blades. Never carry or transport the tool with the blades running. Never grasp the blades with your hands.**
3. **Clean the tool and especially the shear blades after use, and before putting the tool into storage for extended periods. Lightly oil the blades and put on the blade cover.**
4. **Store the tool with the blade cover on, in a dry room. Keep it out of reach of children. Never store the tool outdoors.**

5. Do not dispose of the battery(ies) in a fire. The cell may explode. Check with local codes for possible special disposal instructions.
6. Do not open or mutilate the battery(ies). Released electrolyte is corrosive and may cause damage to the eyes or skin. It may be toxic if swallowed.
7. Do not charge battery in rain, or in wet locations.

SAVE THESE INSTRUCTIONS.

⚠ WARNING: DO NOT let comfort or familiarity with product (gained from repeated use) replace strict adherence to safety rules for the subject product. MISUSE or failure to follow the safety rules stated in this instruction manual may cause serious personal injury.

Important safety instructions for battery cartridge

1. Before using battery cartridge, read all instructions and cautionary markings on (1) battery charger, (2) battery, and (3) product using battery.
2. Do not disassemble or tamper with the battery cartridge. It may result in a fire, excessive heat, or explosion.
3. If operating time has become excessively shorter, stop operating immediately. It may result in a risk of overheating, possible burns and even an explosion.
4. If electrolyte gets into your eyes, rinse them out with clear water and seek medical attention right away. It may result in loss of your eyesight.
5. Do not short the battery cartridge:
 - (1) Do not touch the terminals with any conductive material.
 - (2) Avoid storing battery cartridge in a container with other metal objects such as nails, coins, etc.
 - (3) Do not expose battery cartridge to water or rain.

A battery short can cause a large current flow, overheating, possible burns and even a breakdown.

6. Do not store and use the tool and battery cartridge in locations where the temperature may reach or exceed 50 °C (122 °F).
7. Do not incinerate the battery cartridge even if it is severely damaged or is completely worn out. The battery cartridge can explode in a fire.
8. Do not nail, cut, crush, throw, drop the battery cartridge, or hit against a hard object to the battery cartridge. Such conduct may result in a fire, excessive heat, or explosion.
9. Do not use a damaged battery.
10. The contained lithium-ion batteries are subject to the Dangerous Goods Legislation requirements.

For commercial transports e.g. by third parties, forwarding agents, special requirement on packaging and labeling must be observed.

For preparation of the item being shipped, consulting an expert for hazardous material is required. Please also observe possibly more detailed national regulations.

Tape or mask off open contacts and pack up the battery in such a manner that it cannot move around in the packaging.

11. When disposing the battery cartridge, remove it from the tool and dispose of it in a safe place. Follow your local regulations relating to disposal of battery.
12. Use the batteries only with the products specified by Makita. Installing the batteries to non-compliant products may result in a fire, excessive heat, explosion, or leak of electrolyte.
13. If the tool is not used for a long period of time, the battery must be removed from the tool.
14. During and after use, the battery cartridge may take on heat which can cause burns or low temperature burns. Pay attention to the handling of hot battery cartridges.
15. Do not touch the terminal of the tool immediately after use as it may get hot enough to cause burns.
16. Do not allow chips, dust, or soil stuck into the terminals, holes, and grooves of the battery cartridge. It may cause heating, catching fire, burst and malfunction of the tool or battery cartridge, resulting in burns or personal injury.
17. Unless the tool supports the use near high-voltage electrical power lines, do not use the battery cartridge near high-voltage electrical power lines. It may result in a malfunction or breakdown of the tool or battery cartridge.
18. Keep the battery away from children.

SAVE THESE INSTRUCTIONS.

⚠ CAUTION: Only use genuine Makita batteries. Use of non-genuine Makita batteries, or batteries that have been altered, may result in the battery bursting causing fires, personal injury and damage. It will also void the Makita warranty for the Makita tool and charger.

Tips for maintaining maximum battery life

1. Charge the battery cartridge before completely discharged. Always stop tool operation and charge the battery cartridge when you notice less tool power.
2. Never recharge a fully charged battery cartridge. Overcharging shortens the battery service life.
3. Charge the battery cartridge with room temperature at 10 °C - 40 °C (50 °F - 104 °F). Let a hot battery cartridge cool down before charging it.
4. When not using the battery cartridge, remove it from the tool or the charger.
5. Charge the battery cartridge if you do not use it for a long period (more than six months).

FUNCTIONAL DESCRIPTION

CAUTION: Always be sure that the tool is switched off and the battery cartridge is removed before adjusting or checking function on the tool.

Installing or removing battery cartridge

CAUTION: Always switch off the tool before installing or removing of the battery cartridge.

CAUTION: Hold the tool and the battery cartridge firmly when installing or removing battery cartridge. Failure to hold the tool and the battery cartridge firmly may cause them to slip off your hands and result in damage to the tool and battery cartridge and a personal injury.

► **Fig.1:** 1. Red indicator 2. Button 3. Battery cartridge

To remove the battery cartridge, slide it from the tool while sliding the button on the front of the cartridge.

To install the battery cartridge, align the tongue on the battery cartridge with the groove in the housing and slip it into place. Insert it all the way until it locks in place with a little click. If you can see the red indicator as shown in the figure, it is not locked completely.

CAUTION: Always install the battery cartridge fully until the red indicator cannot be seen. If not, it may accidentally fall out of the tool, causing injury to you or someone around you.

CAUTION: Do not install the battery cartridge forcibly. If the cartridge does not slide in easily, it is not being inserted correctly.

Indicating the remaining battery capacity

Only for battery cartridges with the indicator

► **Fig.2:** 1. Indicator lamps 2. Check button

Press the check button on the battery cartridge to indicate the remaining battery capacity. The indicator lamps light up for a few seconds.

Indicator lamps			Remaining capacity
Lighted	Off	Blinking	
■	□	▧	75% to 100%
■ ■ ■ ■			
■ ■ ■ □			50% to 75%
■ ■ □ □			25% to 50%
■ □ □ □			0% to 25%
▧ □ □ □			Charge the battery.
■ ■ □ □	↑ ↓	□ □ ■ ■	The battery may have malfunctioned.

NOTE: Depending on the conditions of use and the ambient temperature, the indication may differ slightly from the actual capacity.

NOTE: The first (far left) indicator lamp will blink when the battery protection system works.

Tool / battery protection system

NOTICE: Depending on the usage conditions, the tool automatically stops without any indication if the branches or debris are entangled in the tool. In this case, switch off the tool and remove the battery cartridge, and then remove entangled branches or debris using tools such as pliers. After removing the branches or debris, install the battery cartridge and turn on the tool again.

The tool is equipped with a tool/battery protection system. This system automatically cuts off power to the motor to extend tool and battery life. The tool will automatically stop during operation if the tool or battery is placed under one of the following conditions:

Overload protection

When the tool or battery is operated in a manner that causes it to draw an abnormally high current, the tool automatically stops. In this situation, turn the tool off and stop the application that caused the tool to become overloaded. Then turn the tool on to restart.

Overheat protection

When the tool or battery is overheated, the tool stops automatically. In this case, let the tool and battery cool before turning the tool on again.

Overdischarge protection

When the battery capacity is not enough, the tool stops automatically. In this case, remove the battery from the tool and charge the battery.

Protections against other causes

Protection system is also designed for other causes that could damage the tool and allows the tool to stop automatically. Take all the following steps to clear the causes, when the tool has been brought to a temporary halt or stop in operation.

1. Turn the tool off, and then turn it on again to restart.
2. Charge the battery(ies) or replace it/them with recharged battery(ies).
3. Let the machine and battery(ies) cool down.

If no improvement can be found by restoring protection system, then contact your local Makita Service Center.

NOTICE: If the tool stops due to a cause not described above, refer to the section for troubleshooting.

Switch action

⚠ WARNING: For your safety, this tool is equipped with switch lever which prevents the tool from unintended starting. NEVER use the tool if it runs when you simply pull the switch trigger without pressing the switch lever. Return the tool to our authorized service center for proper repairs BEFORE further usage.

⚠ WARNING: NEVER tape down or defeat purpose and function of switch lever.

⚠ WARNING: Before installing the battery cartridge on the tool, always check to see that the switch trigger and switch lever actuate properly and return to the "OFF" position when released. Operating a tool with a switch that does not actuate properly can lead to loss of control and serious personal injury.

⚠ CAUTION: Never put your finger on the switch when carrying. The tool may start unintentionally and cause injury.

To start the tool, hold the front handle while pressing the switch lever and pull the switch trigger. To stop the tool, release either the switch trigger or the switch lever.

► **Fig.3:** 1. Front handle 2. Switch lever 3. Switch trigger

Indication lamp

► **Fig.4:** 1. Indication lamp

The indication lamp blinks or lights up when the battery becomes low or the tool is overloaded. Refer to the following table for the status and action to be taken.

Indication lamp	Status	Action to be taken
The lamp blinks in red.	The remaining battery is low.	Recharge the battery, or replace the battery with a charged one.
The lamp lights up in red.	The remaining battery is empty.	Recharge the battery, or replace the battery with a charged one.
	The tool has stopped due to overload.	Turn off the tool, and remove the cause of overload.
	The tool has stopped due to overheat.	Turn off the tool, and cool down the tool and battery.

NOTE: The time at which the indication lamp blinks or lights up varies by the temperature around the work area and the battery cartridge conditions.

Electronic function

The tool is equipped with the electronic functions for easy operation.

- **Constant speed control**
The speed control function provides the constant rotation speed regardless of load conditions.
- **Electric brake**
This tool is equipped with an electric brake. If the tool consistently fails to quickly stop the shear blades after releasing the switch trigger, have the tool serviced at Makita Authorized Service Center.

- **Accidental re-start preventive function**
Even if you install the battery cartridge while pulling the switch trigger, the tool does not start. To start the tool, first release the switch trigger, and then pull the switch trigger.

ASSEMBLY

⚠ CAUTION: Always be sure that the tool is switched off and the battery cartridge is removed before carrying out any work on the tool.

⚠ CAUTION: When replacing the shear blades, always wear gloves so that your hands do not directly contact the blades.

NOTICE: When replacing the shear blades, do not wipe off grease from the gear and crank.

Installing or removing the shear blades

⚠ CAUTION: Attach the blade cover before removing or installing the shear blades.

You can install 500 mm or 600 mm shear blades to your tool.

1. Attach the blade cover to the shear blades.

► **Fig.5:** 1. Blade cover

2. Place the tool upside down, then remove 6 bolts, and then remove the cover and the plate.

► **Fig.6:** 1. Bolt 2. Cover 3. Plate

NOTE: The plate may remain on the cover.

3. Turn the crank with the slotted screwdriver so that 2 holes are perpendicular to the shear blades.

► **Fig.7:** 1. Crank 2. Hole

4. Remove 2 bolts, the felt pad and the sleeves, and then remove the shear blades.

► **Fig.8:** 1. Felt pad 2. Bolt 3. Sleeve 4. Shear blades

5. Remove the blade cover, and then attach it to the new shear blades.

► **Fig.9:** 1. Blade cover

6. Align the rear edges of the shear blades as shown in the figure.

► **Fig.10:** 1. Rear edge

7. Slide the shear blades slightly as shown in the figure, and then attach the sleeves to the shear blades.

► **Fig.11:** 1. Sleeve

8. Slide the blade cover slightly toward the tip of the shear blades, and then attach the shear blades to the tool.

► **Fig.12:** 1. Shear blades

NOTICE: Apply a small amount of grease to the inner periphery of the hole of the shear blades.

NOTICE: Be careful not to lose the sleeves.

9. Slide the shear blades and sleeves so that the holes on the sleeves are aligned with the holes on the tool.

► **Fig.13:** 1. Hole on tool 2. Hole on sleeve

10. Tighten the bolts to fix the shear blades.

► **Fig.14:** 1. Bolt

11. Attach the felt pad to the shear blades.

► **Fig.15:** 1. Felt pad

12. Attach the plate.

► **Fig.16:** 1. Plate

13. Attach the cover, and then tighten 6 bolts.

► **Fig.17:** 1. Bolt 2. Cover

NOTICE: If the shear blades do not move smoothly, the shear blades are not engaged with the crank properly. Install the shear blades again.

NOTICE: If the parts other than the shear blades such as the crank is worn out, ask Makita Authorized Service Centers for parts replacement or repairs.

Installing or removing the chip receiver

Optional accessory

CAUTION: When installing or removing the chip receiver, always wear gloves so that your hands do not directly contact the shear blades.

NOTICE: The blade cover cannot be installed if the chip receiver is installed on the tool. Before carrying or storing the tool, uninstall the chip receiver, and then install the blade cover to avoid blade exposure.

NOTICE: Be sure to remove the blade cover before installing the chip receiver.

The chip receiver gathers discarded leaves and makes clean-up afterward much easier. It can be installed on either side of the tool.

1. Align the holes on the chip receiver with the screws on the shear blades.

► **Fig.18:** 1. Screw

2. Hook the claws of the chip receiver to the groove on the shear blades.

► **Fig.19:** 1. Claw 2. Groove

3. Press the levers on the chip receiver, and then hook the claws on the other side to the groove on the shear blades.

► **Fig.20:** 1. Lever

To remove the chip receiver, press the levers to release the claws.

► **Fig.21:** 1. Lever

NOTICE: Never try to remove the chip receiver by an excessive force with its hooks locked to the shear blades.

OPERATION

WARNING: Keep hands away from shear blades.

CAUTION: Avoid operating the tool in very hot weather as much as practicable. When operating the tool, be careful of your physical condition.

CAUTION: Be careful not to accidentally contact a metal fence or other hard objects while trimming. The shear blades may break and cause an injury.

CAUTION: Be careful not to allow the shear blades to contact the ground. The tool may recoil and cause an injury.

CAUTION: Overreaching with a hedge trimmer, particularly from a ladder, is extremely dangerous. Do not work while standing on anything wobbly or infirm.

NOTICE: Do not attempt to cut branches thicker than 10 mm in diameter with the tool. Cut branches to 10 cm lower than the cutting height using branch cutters before using the tool.

► **Fig.22:** (1) Cutting height (2) 10 cm

NOTICE: Do not cut down dead trees or similar hard objects. Doing so may damage the tool.

NOTICE: Do not trim the grass or weeds while using the shear blades. The shear blades may become tangled in the grass or weeds.

Hold the tool with both hands, hold the front handle while pressing the switch lever and pull the switch trigger, and then move the tool forward.

► **Fig.23**

For basic operation, tilt the shear blades toward the trimming direction and move it calmly and slowly at the speed rate of 3 to 4 seconds per meter.

► **Fig.24**

To cut a hedge top evenly, tie a string at the desired height and trim along it.

► **Fig.25**

If the chip receiver is attached to the shear blades, it gathers discarded leaves and makes clean-up afterward much easier.

► **Fig.26**

To cut a hedge side evenly, cut from the bottom to top.

► **Fig.27**

When trimming to make a round shape (trimming boxwood or rhododendron, etc.), trim from the root to the top for a beautiful finish.

► **Fig.28**

MAINTENANCE

CAUTION: Always be sure that the tool is switched off and the battery cartridge is removed before attempting to perform inspection or maintenance.

To maintain product SAFETY and RELIABILITY, repairs, any other maintenance or adjustment should be performed by Makita Authorized or Factory Service Centers, always using Makita replacement parts.

Cleaning the tool

Clean the tool by wiping off dust with a dry cloth or one dipped in soapy water and wrung out.

NOTICE: Never use gasoline, benzine, thinner, alcohol or the like. Discoloration, deformation or cracks may result.

Shear blade maintenance

Before the operation or once per hour during operation, apply low-viscosity oil (machine oil, or spray-type lubricating oil) to the shear blades.

► Fig.29

After operation, remove dust from both sides of the shear blades with a wired brush, wipe it off with a cloth and then apply low-viscosity oil (machine oil, or spray-type lubricating oil) to the shear blades.

► Fig.30

NOTICE: Do not wash the shear blades in water. Doing so may cause rust or damage to the tool.

NOTICE: Dirt and corrosion cause excessive blade friction and shorten the operating time per battery charge.

Storage

The hook hole in the tool bottom is convenient for hanging the tool from a nail or screw on the wall.

Attach the blade cover to the shear blades so that the blades are not exposed. Store the tool out of the reach of children. Store the tool in a place not exposed to moisture or rain.

► Fig.31: 1. Hole

Grinding the shear blades

NOTICE: If the shear blades have considerably deformed by grinding, replace the shear blades with new ones.

1. Install the battery cartridge to the tool.
2. Turn on and start the tool so that the upper blade and lower blade are positioned alternately.
► Fig.32
3. Turn off the tool and remove the battery cartridge from the tool.
4. Set the angle of a file to 35°, and grind the upper blade from 2 directions with the file.
► Fig.33: (1) File (2) 35°

CAUTION: Before grinding the shear blades, make sure that the tool is switched off and the battery cartridge is removed from the tool.

5. Place the tool upside down, and then remove the burrs from the shear blades with the dressing stone.
► Fig.34: 1. Dressing stone
6. Set the angle of the file to 35°, and grind the lower blade from 2 directions with the file.
7. Return the tool to normal position, and then remove the burrs from the shear blades with the dressing stone.

Grease lubrication

Interval of lubrication: Every 50 operating hours

1. Remove the bolt from the hole for lubrication.
► Fig.35: 1. Bolt
2. Remove the cap from the grease vessel. Align the outlet of the grease vessel with the hole on the cover, and then turn the grease vessel to attach the outlet of the grease vessel into the hole.
► Fig.36: 1. Grease vessel 2. Hole
3. Apply the grease to the tool (Approximately 3 g as a guide).
4. Remove the grease vessel.
5. Tighten the bolt.

TROUBLESHOOTING

Before asking for repairs, conduct your own inspection first. If you find a problem that is not explained in the manual, do not attempt to dismantle the tool. Instead, ask Makita Authorized Service Centers, always using Makita replacement parts for repairs.

State of abnormality	Probable cause (malfunction)	Remedy
Motor does not run.	Battery cartridge is not installed.	Install the battery cartridge.
	Battery problem (under voltage)	Recharge the battery. If recharging is not effective, replace battery.
	The drive system does not work correctly.	Ask your local authorized service center for repair.
Motor stops running after a little use.	Battery's charge level is low.	Recharge the battery. If recharging is not effective, replace battery.
	Overheating.	Stop using of tool to allow it to cool down.
Tool does not reach maximum RPM.	Battery is installed improperly.	Install the battery cartridge as described in this manual.
	Battery power is dropping.	Recharge the battery. If recharging is not effective, replace battery.
	The drive system does not work correctly.	Ask your local authorized service center for repair.
Shear blades do not move: ⇒ stop the machine immediately!	Foreign objects are caught between the shear blades.	Switch off the tool and remove the battery cartridge, and then remove the foreign objects using tools such as pliers.
	The drive system does not work correctly.	Ask your local authorized service center for repair.
Abnormal vibration: ⇒ stop the machine immediately!	Shear blades are broken, bent or worn.	Replace the shear blades.
	The drive system does not work correctly.	Ask your local authorized service center for repair.
Shear blades and motor cannot stop: ⇒ Remove the battery immediately!	Electric malfunction.	Remove the battery and ask your local authorized service center for repair.

OPTIONAL ACCESSORIES

⚠ CAUTION: These accessories or attachments are recommended for use with your Makita tool specified in this manual. The use of any other accessories or attachments might present a risk of injury to persons. Only use accessory or attachment for its stated purpose.

If you need any assistance for more details regarding these accessories, ask your local Makita Service Center.

- Shear blade assembly
- Shear blade cover
- Chip receiver
- Grease vessel
- Makita genuine battery and charger

NOTE: Some items in the list may be included in the tool package as standard accessories. They may differ from country to country.

TEHNIČNI PODATKI

Model:	DUH506	DUH606
Dolžina rezila	500 mm	600 mm
Hodi na minuto	4.000 min ⁻¹	
Celotna dolžina (Brez baterije)	846 mm	965 mm
Nazivna napetost	D.C. 18 V	
Neto teža	2,5 – 2,9 kg	2,7 – 3,0 kg

- Ker nenehno opravljamo raziskave in razvijamo svoje izdelke, se lahko tehnični podatki v tem dokumentu spremenijo brez obvestila.
- Tehnični podatki se lahko razlikujejo od države do države.
- Teža se lahko razlikuje glede na priključke, vključno z akumulatorsko baterijo. Najlažja in najtežja kombinacija v skladu s postopkom EPTA 01/2014 sta prikazani v preglednici.

Uporabna akumulatorska baterija in polnilnik

Baterijski vložek	BL1815N / BL1820B / BL1830B / BL1840B / BL1850B / BL1860B
Polnilnik	DC18RC / DC18RD / DC18RE / DC18SD / DC18SE / DC18SF / DC18SH / DC18WC

- Nekatere zgoraj navedene akumulatorske baterije in polnilniki morda v vaši državi prebivališča niso na voljo.

⚠ OPOZORILO: Uporabljajte le zgoraj navedene akumulatorske baterije in polnilnike. Uporaba drugih akumulatorskih baterij in polnilnikov lahko povzroči telesne poškodbe in/ali požar.

Priporočen vir napajanja s kablom

Prenosna polnilna enota	PDC01
-------------------------	-------

- Vir(i) napajanja s kablom, navedeni zgoraj, morda v vaši državi prebivališča niso na voljo.
- Pred uporabo vira napajanja s kablom preberite navodila in opozorilne znake na njem.

Simboli

Naslednji simboli se lahko uporabljajo v povezavi s strojem. Pred uporabo izdelka se obvezno seznanite z njihovim pomenom.



Preberite navodila za uporabo.



Uporabljajte zaščito za oči.



NEVARNOST – z rokami ne segajte v območje rezila.



Ne izpostavlajte vlagi.



Samo za države EU

Zaradi prisotnosti nevarnih komponent v opremi imajo lahko uporabljena električna in elektronska oprema, akumulatorji in baterije negativen vpliv na okolje in zdravje ljudi.

Električnih in elektronskih naprav ali baterij ne odlagajte med gospodinjске odpadke! Skladno z evropsko Direktivo o odpadni električni in elektronski opremi, o akumulatorjih in baterijah ter odpadnih akumulatorjih in baterijah ter njeno uporabo v državnih zakonih morate rabljeno električno in elektronsko opremo, baterije in akumulatorje zbirati ločeno ter dostaviti na posebno zbiralno mesto za komunalne odpadke, ki deluje skladno s predpisi za zaščito okolja. To nakazuje simbol prečrtanega smetnjaka s kolesi, ki je natisnjen na opremi.



Zajamčena raven zvočne moči v skladu z direktivo EU o hrupu na prostem.



Raven zvočne moči v skladu z avstralskim predpisom o nadzoru hrupa NSW

Predvidena uporaba

Orodje je namenjeno rezanju žive meje.

Hrup

Veljavni standard : EN62841-4-2

Model	Raven zvočnega tlaka		Raven zvočne moči	
	L _{pA} (dB(A))	Odstopanje K (dB(A))	L _{WA} (dB(A))	Odstopanje K (dB(A))
DUH506	77	3	88	3
DUH606	79	3	90	3

OPOMBA: Navedene vrednosti oddajanja hrupa so bile izmerjene v skladu s standardnimi metodami testiranja in se lahko uporabljajo za primerjavo orodij.

OPOMBA: Navedene vrednosti oddajanja hrupa se lahko uporabljajo tudi pri predhodni oceni izpostavljenosti.

⚠ OPOZORILO: Uporabljajte zaščito za sluh.

⚠ OPOZORILO: Oddajanje hrupa med dejansko uporabo električnega orodja se lahko razlikuje od navedenih vrednosti, odvisno od načina uporabe orodja in predvsem vrste obdelovanca.

⚠ OPOZORILO: Upravitelj mora za lastno zaščito poznati varnostne ukrepe, ki temeljijo na oceni izpostavljenosti v dejanskih pogojih uporabe (poleg časa proženja je treba upoštevati celoten delovni cikel, vključno s časom, ko je orodje izklopljeno, in časom, ko deluje v prostem teku).

Vibracije

Skupne vrednosti vibracij (vektorska vsota treh osi) v skladu z EN62841-4-2:

Model	Sprednji ročaj		Zadnji ročaj	
	ah (m/s ²)	Odstopanje K (m/s ²)	ah (m/s ²)	Odstopanje K (m/s ²)
DUH506	2,5 m/s ² ali manj	1,5	2,5 m/s ² ali manj	1,5
DUH606	2,5 m/s ² ali manj	1,5	2,5 m/s ² ali manj	1,5

OPOMBA: Navedene skupne vrednosti oddajanja vibracij so bile izmerjene v skladu s standardnimi metodami testiranja in se lahko uporabljajo za primerjavo orodij.

OPOMBA: Navedene skupne vrednosti oddajanja vibracij se lahko uporabljajo tudi pri predhodni oceni izpostavljenosti.

⚠ OPOZORILO: Oddajanje vibracij med dejansko uporabo električnega orodja se lahko razlikuje od navedenih vrednosti, odvisno od načina uporabe orodja in predvsem vrste obdelovanca.

⚠ OPOZORILO: Upravitelj mora za lastno zaščito poznati varnostne ukrepe, ki temeljijo na oceni izpostavljenosti v dejanskih pogojih uporabe (poleg časa proženja je treba upoštevati celoten delovni cikel, vključno s časom, ko je orodje izklopljeno, in časom, ko deluje v prostem teku).

Izjava o skladnosti ES

Samo za evropske države

Izjava ES o skladnosti je vključena v dodatku A, ki je priložen tem navodilom za uporabo.

VARNOSTNA OPOZORIILA

Splošna varnostna opozorila za električno orodje

⚠ OPOZORILO: Preberite vsa varnostna opozorila in navodila s slikami in tehničnimi podatki, ki so dobavljeni skupaj z električnim orodjem. Ob neupoštevanju spodaj navedenih navodil obstaja nevarnost električnega udara, požara in/ali hudih telesnih poškodb.

Shranite vsa opozorila in navodila za poznejšo uporabo.

Izraz „električno orodje“ v opozorilih se nanaša na vaše električno orodje (s kablom) ali baterijsko električno orodje (brez kabla).

Varnostna opozorila za brezžični rezalnik za živo mejo

- Ne približujte delov telesa rezilu. Ne odstranite odrezanega materiala in ne držite materiala, ki ga boste rezali, kadar se rezila premikajo.** Ko izklopite stikalo, se rezila še vedno vrtijo. Trenutek nepazljivosti pri delu s škarjami za živo mejo lahko privede do hudih telesnih poškodb.
- Škarje za živo mejo nosite za ročaj, rezilo mora biti ustavljeno, bodite pozorni, da ne vklopite stikala.** Če boste škarje za živo mejo pravilno nosili, boste zmanjšali tveganje za nehoteni zagon in posledično telesno poškodbo z rezili.

3. **Kadar prenašate ali shranjujete škarje za živo mejo, vedno namestite pokrov rezila.** Ustrezno rokovanje s škarjami za živo mejo bo zmanjšalo morebitne telesne poškodbe zaradi rezil.
4. **Ko odstranjujete zatakneni material ali popravljate enoto, se prepričajte, da so vsi gumbi za vklop/izklop izklopljeni in da je akumulatorska baterija odstranjena ali izklopljena.** Nepričakovan zagon škarij za živo mejo med čiščenjem zataknenega materiala ali popraviljem lahko povzroči resne telesne poškodbe.
5. **Držite škarje za živo mejo na izoliranih držalnih površinah, saj lahko rezilo prereže skrito električno napeljavo.** Ob stiku rezil z vodniki pod napetostjo dobijo napetost vsi neizolirani kovinski deli škarij za živo mejo, zaradi česar lahko uporabnik utрпи električni udar.
6. **Električne kable odstranite z območja rezanja.** Med uporabo so lahko kabli skriti živi meji ali grmovju in jih lahko z rezilom nenamerno prerežete.
7. **Škarij za živo mejo ne uporabljajte ob slabem vremenu, še posebej, kadar bliska.** S tem zmanjšate tveganje, da bi vas zadela strela.
8. **Ko želite predati škarje za živo mejo drugi osebi, jih položite na tla, primejo jih naj, ko umaknete roke s škarij za živo mejo.** Če škarje za živo mejo podati v roke, se jih drži tako za sprednji kot zadnji ročaj istočasno, kar pa povzroči, da se škarje za živo mejo nenamerno zaženejo. Nenameren zagon lahko povzroči hude telesne poškodbe.
4. **Orodja ne uporabljajte v dežju ali v zelo vlažnih pogojih.** Električni motor ni vodotesen.
5. **Pred začetkom uporabe zagotovite trdno stojšče.**
6. **Ne uporabljajte orodja brez obremenitve po nepotrebnem.**
7. **Če rezila škarij pridejo v stik z ograjo ali drugim trdim predmetom, takoj ugasnite orodje in odstranite akumulatorsko baterijo.** Preverite rezila, ali so poškodovana, in jih v tem primeru takoj zamenjajte.
8. **Preden rezila škarij pregledate, odpravite napake ali odstranite material, ki se je ujel v rezila škarij, vedno izklopite orodje in odstranite akumulatorsko baterijo.**
9. **Rezil nikoli ne usmerite proti sebi ali drugim osebam.**
10. **Če se med delovanjem rezila nehajo premikati, ker so se med njih zataknili tujki, izklopite orodje, odstranite akumulatorsko baterijo in nato odstranite tujke z orodjem, kot so klešče.** Odstranjevanje tujkov z rokami lahko povzroči poškodbe, saj se zaradi odstranjevanja tujkov lahko premaknejo rezila.

Električna zaščita in zaščita akumulatorja

1. **Izogibajte se nevarnemu okolju. Orodja ne uporabljajte na vlažnih ali mokrih mestih in ga ne izpostavljajte dežju.** Voda, ki prodre v orodje, bo povečala nevarnost električnega udara.
2. **Akumulatorja/-ev ni dovoljeno metati v ogenj.** Celica lahko eksplodira. Preverite lokalne predpise glede morebitnih posebnih navodil za odstranjevanje.
3. **Ne odpirajte ali spreminjajte akumulatorja/-ev.** Sproščeni elektrolit je koroziven in lahko povzroči poškodbe oči ali kože. Pri zaužitju je lahko strupen.
4. **Akumulatorja ne polnite v dežju ali na mokrih mestih.**
5. **Akumulatorja ne polnite na prostem.**
6. **Ne dotikajte se polnilnika, vtiča polnilnika in priključkov polnilnika z mokrimi rokami.**

Vzdrževanje in shranjevanje

1. **Pred vzdrževalnimi deli izklopite orodje in odstranite akumulatorsko baterijo.**
2. **Kadar prenašate orodje na drugo lokacijo, tudi med delom, vedno odstranite akumulatorsko baterijo in namestite pokrov rezila škarij. Nikoli ne prenašajte ali prevažajte orodja, kadar deluje. Nikoli ne prijemajte rezil z rokami.**
3. **Po uporabi in preden shranite orodje za dlje časa ga očistite (še posebej rezilo škarij). Rahljo naoljite rezila in namestite pokrov za rezila.**
4. **Orodje shranjujte z nameščenim pokrovom za rezila in v suhem prostoru. Shranjujte nedosegljivo otrokom. Orodja nikoli ne shranjujte na prostem.**
5. **Akumulatorja/-ev ni dovoljeno metati v ogenj. Celica lahko eksplodira. Preverite lokalne predpise glede morebitnih posebnih navodil za odstranjevanje.**
6. **Ne odpirajte ali spreminjajte akumulatorja/-ev. Sproščeni elektrolit je koroziven in lahko povzroči poškodbe oči ali kože. Pri zaužitju je lahko strupen.**

Dodatna varnostna navodila

Priprava

1. **Pred uporabo orodja preverite, da v živi meji in grmičevju ni tujkov, kot so žične ograje ali skrite žice.**
2. **Orodja ne smejo uporabljati otroci ali mlajši od 18 let.** Mladoletne osebe, starejše od 16 let, so lahko izvzete iz te omejitve, če se usposabljaajo pod nadzorom strokovnjaka.
3. **Uporabnike, ki prvič uporabljajo orodje, naj izkušeni uporabnik pouči o uporabi orodja.**
4. **Orodje uporabljajte samo, če ste dobro fizično pripravljene.** Če ste utrujeni, bo vaša zbranost zmanjšana. Še posebej bodite pozorni ob koncu delovnega dne. Vsa dela opravljajte mirno in zbrano. Uporabnik je odgovoren za vse poškodbe, povzročene tretjim osebam.
5. **Nikoli ne uporabljajte orodja pod vplivom alkohola, drog ali zdravil.**
6. **Delovne rokavice iz robustnega usnja so del osnovne opreme orodja in jih je pri delu treba vedno nositi. Prav tako nosite močne čevlje z nedrsečim podplatom.**
7. **Pred začetkom dela se prepričajte, da je orodje v dobrem stanju in varno za delo. Zagotovite, da so ščitniki pravilno nameščeni. Orodja ni dovoljeno uporabljati, če ni v celoti sestavljeno.**

Uporaba

1. **Med uporabo trdno držite orodje z obema rokama.**
2. **Orodje je namenjeno uporabi na tleh. Orodja ne uporabljajte na lestvah ali drugih nestabilnih oporah.**
3. **NEVARNOST - Ne približujte rok rezilu.** Stik z rezilom povzroči hude telesne poškodbe.

7. Akumulatorja ne polnite v dežju ali na mokrih mestih.

SHRANITE TA NAVODILA.

⚠ OPOZORILO: NE dovolite, da bi zaradi udobnejšega dela ali znanja o uporabi izdelka (pridobljenega z večkratno uporabo) opustili strogo upoštevanje varnostnih zahtev v okviru pravilne uporabe orodja. ZLORABA ali neupoštevanje varnostnih zahtev v teh navodilih za uporabo lahko povzroči resne telesne poškodbe.

Pomembna varnostna navodila za akumulatorsko baterijo

1. Pred uporabo baterijskega vložka preberite vsa navodila in opozorilne oznake na (1) polnilniku akumulatorja, (2) akumulatorju in (3) izdelku, ki uporablja akumulator.
2. Ne razstavljajte ali spreminjajte akumulatorske baterije. S tem lahko povzročite požar, prekomerno vročino ali eksplozijo.
3. Če se je čas delovanja občutno skrajšal, takoj prenehajte uporabljati orodje. V nasprotnem primeru lahko pride do pregretja, morebitnih opeklin in celo eksplozije.
4. Če pride elektrolit v stik z očmi, jih sperite s čisto vodo in takoj poiščite zdravniško pomoč. Posledica je lahko izguba vida.
5. Ne povzročite kratkega stika baterijskega vložka:
 - (1) Ne dotikajte se priključkov s kakršnim koli prevodnim materialom.
 - (2) Izogibajte se shranjevanju baterijskega vložka v vsebniku z drugimi kovinskimi predmeti kot so žebliji, kovanci itn.
 - (3) Ne izpostavljajte baterijskega vložka vodi ali dežju.Kratek stik akumulatorja lahko povzroči velik električni tok, pregrevanje, morebitne opeklino in celo okvaro.
6. Ne shranjujte in uporabljajte orodja in akumulatorske baterije na mestih, kjer lahko temperatura doseže ali preseže 50 °C (122 °F).
7. Ne sežigajte baterijskega vložka, tudi če je hudo poškodovan ali v celoti izpraznjen. Baterijski vložek lahko v ognju eksplodira.
8. Ne pribijajte, režite, drobite, mečite, spuščajte akumulatorske baterije oziroma ne udarjajte z akumulatorsko baterijo po trdem predmetu. Takšno ravnanje lahko povzroči požar, prekomerno vročino ali eksplozijo.
9. Ne uporabljajte poškodovanih akumulatorjev.
10. Priložene litij-ionske baterije ustrezajo zahtevam zakonodaje v zvezi z nevarnim blagom. Za komercialne prevoze, npr. tiste, ki jih opravljajo tretje stranke in carinski posredniki, je treba upoštevati posebne zahteve v zvezi z embalažo in označevanjem.

Med postopkom priprave na odpremo izdelka se je treba posvetovati s strokovnjakom za nevarne snovi. Pri tem upoštevajte tudi podrobnejše nacionalne predpise.

Odprte stike oblepite z lepilnim trakom ali jih drugače zaščitite, baterijo pa zapakirajte tako, da se v embalaži ne more premikati.

11. Ko odstranjujete akumulatorsko baterijo, jo vzemite iz orodja in varno zavržite. Upoštevajte lokalne uredbe glede odlaganja baterije.
12. Baterije uporabljajte le z izdelki, ki jih določijo Makita. Če namestite baterije v neskladne izdelke, lahko pride do požara, pregrevanja, eksplozije ali puščanja elektrolita.
13. Če orodja dlje časa ne uporabljate, morate iz njega odstraniti baterijo.
14. Med uporabo in po uporabi lahko akumulatorska baterija postane vroča in povzroči opeklino. Z vročimi akumulatorskimi baterijami ravnajte pazljivo.
15. Ne dotikajte se priključka orodja takoj po uporabi, ker se lahko dovolj segreje, da povzroči opeklino.
16. Ne dovolite, da bi se v priključke, odprtine in utore akumulatorske baterije zleplili ostrih predmetov, prah ali zemlja. To lahko povzroči pregrevanje, požar, razpočenje in okvaro orodja ali akumulatorske baterije ter privede do opeklin ali drugih telesnih poškodb.
17. Razen če orodje podpira uporabo v bližini visokonapetostnih električnih vodov, akumulatorske baterije ne uporabljajte v bližini visokonapetostnih električnih vodov. Takšna uporaba lahko povzroči motnje v delovanju ali okvaro orodja oziroma akumulatorske baterije.
18. Baterijo hranite izven dosega otrok.

SHRANITE TA NAVODILA.

⚠ POZOR: Uporabljajte le originalne baterije Makita. Če uporabljate neoriginalne baterije Makita ali baterije, ki so bile spremenjene, lahko pride do eksplozije baterije in posledično do požara, telesnih poškodb ali materialne škode. S takšno uporabo boste tudi razveljavili garancijo Makita za orodje in polnilnik Makita.

Nasveti za ohranjanje največje zmogljivosti akumulatorja

1. Napolnite baterijski vložek, preden se v celoti izprazni. Ko opazite, da ima orodje manjšo moč, vedno ustavite delovanje orodja in napolnite baterijski vložek.
2. Nikoli znova ne polnite popolnoma napolnjenega baterijskega vložka. Prenapolnjenje skrajša življenjsko dobo akumulatorja.
3. Baterijski vložek s sobno temperaturo polnite pri temperaturi okolja od 10 °C do 40 °C. Počakajte, da se vroč baterijski vložek pred polnjenjem ohladi.
4. Ko akumulatorske baterije ne uporabljate, jo odstranite iz orodja ali polnilnika.
5. Če baterijskega vložka ne uporabljate dalj časa (več kot 6 mesecev), ga napolnite.

OPIS DELOVANJA

⚠️ POZOR: Pred nastavljanjem ali preizkusom delovanja orodja se prepričajte, ali je orodje izključeno in ali je akumulatorska baterija odstranjena.

Nameščanje ali odstranjevanje akumulatorske baterije

⚠️ POZOR: Vedno izklopite orodje, preden namestite ali odstranite akumulatorsko baterijo.

⚠️ POZOR: Kadar nameščate ali odstranjujete akumulatorsko baterijo, trdno držite orodje in akumulatorsko baterijo. Če orodja in akumulatorske baterije ne držite trdno, se lahko zgodi, da vam zdrsneta iz rok, posledica pa je lahko poškodba orodja in akumulatorske baterije ter telesna poškodba.

► **Sl.1:** 1. Rdeči indikator 2. Gumb 3. Baterijski vložek

Če želite odstraniti akumulatorsko baterijo, jo potisnite iz orodja, pri tem pa pomikajte gumb na sprednji strani vložka.

Akumulatorsko baterijo vstavite tako, da poravnate jeziček na bateriji z utorom na ohišju in jo potisnete v ležišče. Potisnite jo do konca, da se zaskoči. Če vidite rdeči indikator, kot je prikazano na sliki, se akumulatorska baterija ni ustrezno zaskočila.

⚠️ POZOR: Vedno namestite akumulatorsko baterijo tako, da rdeči indikator ni več viden. Če tega ne upoštevate, lahko baterija nepričakovano pade iz orodja in poškoduje vas ali osebe v neposredni bližini.

⚠️ POZOR: Ne nameščajte akumulatorske baterije s silo. Če se akumulatorska baterija ne zaskoči zlahka, ni pravilno vstavljena.

Prikazuje preostalo raven napoljenosti akumulatorja

Samo za akumulatorske baterije z indikatorjem

► **Sl.2:** 1. Indikatorne lučke 2. Gumb za preverjanje

Pritisnite gumb za preverjanje na baterijskem vložku, da preverite raven napoljenosti akumulatorja. Indikatorne lučke na kratko zasvetijo.

Indikatorne lučke			Prikaz preostale ravni napoljenosti
Sveti	Ne sveti	Utripa	
■	□	▬	od 75 % do 100 %
■ ■ ■ ■			
■	□	▬	od 50 % do 75 %
■ ■ ■ □			
■	□	▬	od 25 % do 50 %
■ ■ □ □			
■	□	▬	od 0 % do 25 %
■ □ □ □			
▬	□	▬	Napolnite akumulator.

Indikatorne lučke			Prikaz preostale ravni napoljenosti
Sveti	Ne sveti	Utripa	
■	□	▬	Akumulator je morda okvarjen.
■ ■ □ □			
□ □	■ ■		

OPOMBA: Odvisno od pogojev uporabe in okoljske temperature se označba lahko nekoliko razlikuje od dejanske napoljenosti.

OPOMBA: Prva opozorilna lučka (skrajno levo) bo utripala, ko sistem za zaščito akumulatorja deluje.

Zaščitni sistem orodja/akumulatorja

OBVESTILO: Odvisno od pogojev uporabe se orodje samodejno zaustavi brez opozorila, če se v orodje zapletejo vejice ali ostanke. V tem primeru izklopite orodje, odstranite akumulatorsko baterijo in odstranite zapletene vejice ter druge ostanke z orodjem, kot so klešče. Ko odstranite vejice in ostanke, namestite akumulatorsko baterijo in znova vklopite orodje.

Orodje je opremljeno z zaščitnim sistemom za orodje/akumulator. Sistem samodejno prekine napajanje orodja, da podaljša življenjsko dobo orodja in akumulatorja. Orodje se samodejno zaustavi med delovanjem, če orodje ali akumulator delujeta pod naslednjimi pogoji:

Zaščita pred preobremenitvijo

Kadar orodje ali akumulator uporabljate na način, ki povzroča uporabo neobičajno visokega toka, se orodje samodejno ustavi. V tem primeru izklopite orodje in prekinite delo, ki je povzročilo preobremenitev orodja. Nato vklopite orodje, da ga znova zaženete.

Zaščita pred pregrevanjem

Če se orodje ali akumulator pregreje, se orodje samodejno ustavi. V tem primeru počakajte, da se orodje in akumulator ohladita, preden znova vklopite orodje.

Zaščita pred izpraznjenjem

Ko je zmogljivost akumulatorja prenizka, se orodje samodejno ustavi. V tem primeru odstranite akumulator iz orodja in ga napolnite.

Zaščita pred drugimi vzroki

Sistem zaščite je zasnovan tudi za druge vzroke, ki bi lahko povzročili poškodbe orodja, in omogoča samodejno ustavitve orodja. Kadar se orodje začasno ustavi ali preneha delovati, izvedite vse naslednje korake, da odpravite vzroke.

1. Izklopite orodje in ga nato vklopite, da ga znova zaženete.
2. Napolnite baterijo ali jo zamenjajte z napolnjeno baterijo (po potrebi ponovite postopek še za drugo baterijo).
3. Počakajte, da se stroj in baterije ohladijo.

Če z obnovitvijo sistema zaščite ne odpravite težave, se obrnite na lokalni servisni center Makita.

OBVESTILO: Če se orodje ustavi zaradi razloga, ki ni opisan zgoraj, glejte razdelek za odpravljanje težav.

Delovanje stikala

⚠ OPOZORILO: Za vašo varnost je orodje opremljeno s preklopno ročico, ki preprečuje nenamerni zagon orodja. **NIKOLI** ne uporabljajte orodja, kadar začne delovati, če pritisnete samo sprožilec in pri tem ne pritisnete preklopne ročice. **PRED** nadaljnjo uporabo vrnite orodje v pooblaščen servisni center, da ga ustrezno popravijo.

⚠ OPOZORILO: **NIKOLI** ne prelepite preklopne ročice ali onemogočite njenega delovanja in funkcije.

⚠ OPOZORILO: Preden namestite akumulatorsko baterijo v orodje, se vedno prepričajte, da sprožilec in preklopna ročica delujeta brezhibno in se vrneta v položaj za izklop (OFF), ko ju spustite. Uporaba orodja s stikalom, ki se ne sproži pravilno, lahko privede do izgube nadzora in resnih telesnih poškodb.

⚠ POZOR: Pri prenašanju orodja ne polagajte prsta na stikalo. Orodje se lahko nenamerno vklopi in povzroči poškodbo.

Za zagon orodja pridržite sprednji ročaj in hkrati pritisnite preklopno ročico ter povlecite sprožilec. Če želite orodje ustaviti, spustite sprožilec ali preklopno ročico.

- **SI.3:** 1. Sprednji ročaj 2. Preklopna ročica
3. Sprožilno stikalo

Opozorilna lučka

- **SI.4:** 1. Opozorilna lučka

Opozorilna lučka utripa ali posveti, ko je baterija skoraj prazna ali je orodje preobremenjeno. Za status in potrebne ukrepe glejte naslednjo tabelo.

Opozorilna lučka	Stanje	Zahtevano dejanje
Lučka utripa rdeče.	Baterija je skoraj prazna.	Napolnite baterijo ali pa jo zamenjajte s polno.
Lučka zasveti rdeče.	Preostala baterija je prazna.	Napolnite baterijo ali pa jo zamenjajte s polno.
	Orodje se je zaustavilo zaradi preobremenitve.	Orodje izklopote in odstranite razlog preobremenitve.
	Orodje se je zaustavilo zaradi pregrevanja.	Izklopote orodje in nato ohladite orodje in baterijo.

OPOMBA: Čas, v katerem začne opozorilna lučka utripati ali zasveti, je odvisen od temperature na delovnem mestu in stanja akumulatorske baterije.

Elektronska funkcija

Orodje je opremljeno z elektronskimi funkcijami za enostavno delovanje.

- Uravnavanje konstantnega števila vrtljajev
Funkcija nadzora hitrosti zagotavlja stalno hitrost vrtenja ne glede na stanje obremenitve.
- Električna zavora
Orodje je opremljeno z električno zavoro. Če orodje večkrat ne ustavi hitro rezil, ko izpustite sprožilec, odnesite orodje na servis v pooblaščen servisni center Makita.

- Funkcija za preprečevanje nenamernega ponovnega zagona
Orodje se ne zažene, tudi če namestite akumulatorsko baterijo med pritiskanjem sprožilca. Za vklop orodja najprej izpustite sprožilec in ga povlecite.

MONTAŽA

⚠ POZOR: Pred vsako izvedbo dela na orodju se prepričajte, da je le to izključeno in da je akumulatorska baterija odstranjena.

⚠ POZOR: Pri menjavi rezil vedno nosite rokavice, tako da se dlani neposredno ne dotikajo rezil.

OBVESTILO: Kadar menjate rezila, z orodja in ročice ne brišite trave.

Nameščanje ali odstranjevanje rezil

⚠ POZOR: Preden odstranite ali namestite rezila, namestite pokrov rezila.

Na orodje lahko namestite rezila dolžine 500 mm ali 600 mm.

1. Pritrдите pokrov na rezila.

► **SI.5:** 1. Pokrov rezil

2. Orodje postavite na glavo, nato odstranite 6 vijakov in odstranite pokrov ter ploščo.

► **SI.6:** 1. Vijak 2. Pokrov 3. Ploščica

OPOMBA: Ploščica lahko ostane na pokrovu.

3. Ročico zavrtite s ploščatim izvijačem, da bosta 2 odprtini postavljeni pravokotno na rezila.

► **SI.7:** 1. Ročica 2. Odprtina

4. Odstranite 2 vijaka, polsteno blazinico in obojke ter nato odstranite rezila.

► **SI.8:** 1. Polstena blazinica 2. Vijak 3. Stročnica 4. Rezila

5. Odstranite pokrov rezila in ga nato pritrдите na nova rezila.

► **SI.9:** 1. Pokrov rezil

6. Poravnajte zadnja robova rezil, kot je prikazano na sliki.

► **SI.10:** 1. Zadnji rob

7. Rezila nekoliko potisnite, tako kot je prikazano na sliki, nato pa nanje pritržite stročnice.

► **SI.11:** 1. Stročnica

8. Potisnite pokrov rezil nekoliko naprej proti konici rezil in nato pritržite rezila na orodje.

► **SI.12:** 1. Rezila

OBVESTILO: Nanesite majhno količino masti na notranji del odprtine rezil.

OBVESTILO: Pazite, da ne izgubite obojk.

9. Rezila in stročnice potisnite tako, da so odprtine na stročnicah poravnane z odprtinami na orodju.

► **Sl.13:** 1. Odprtina na orodju 2. Odprtina na stročnici

10. Privijte vijaka, da pritrдите rezila.

► **Sl.14:** 1. Vijak

11. Pritrdite polsteno blazinico na rezila.

► **Sl.15:** 1. Polstena blazinica

12. Namestite ploščo.

► **Sl.16:** 1. Plošča

13. Namestite pokrov in privijte 6 vijakov.

► **Sl.17:** 1. Vijak 2. Pokrov

OBVESTILO: Če se rezila ne premikajo gladko, niso pravilno povezana z ročico. Znova namestite rezila.

OBVESTILO: Če niso izrabljena rezila, ampak drugi deli, na primer ročica, se za zamenjavo ali popravilo obrnite na pooblaščen servisni center Makita.

Nameščanje ali odstranjevanje prestreznika odrezanega materiala

Dodatna oprema

POZOR: Kadar nameščate ali odstranjujete prestreznik odrezanega materiala, vedno nosite rokavice, da se vaše dlani rezila ne dotikajo neposredno.

OBVESTILO: Pokrova rezila ni mogoče namestiti, če je na orodju nameščen prestreznik odrezanega materiala. Pred prenašanjem ali shranjevanjem orodja odstranite prestreznik odrezanega materiala in namestite pokrov rezila, da zavarujete rezilo.

OBVESTILO: Preden namestite prestreznik odrezanega materiala, morate odstraniti pokrov rezila.

Prestreznik odrezanega materiala zbira odpadlo listje in olajša čiščenje po zaključenem delu. Namestite ga lahko na katero koli stran orodja.

1. Odprtine na prestrezniku odrezanega materiala poravnajte z vijaki na rezilih.

► **Sl.18:** 1. Vijak

2. Zatakните čeljusti prestreznika odrezanega materiala v utor na rezilih.

► **Sl.19:** 1. Čeljust 2. Utor

3. Potisnite ročice na prestrezniku odrezanega materiala in nato zatakните čeljusti na drugo stran utora na rezilih.

► **Sl.20:** 1. Ročica

Za odstranjevanje prestreznika odrezanega materiala pritisnite ročici, tako da se čeljust sprostí.

► **Sl.21:** 1. Ročica

OBVESTILO: Nikoli ne poskušajte odstraniti prestreznika odrezanega materiala s prekomerno silo, če sta kavlja zataknjena na rezilih.

UPRAVLJANJE

POZORILO: Rok ne približujte rezilom.

POZOR: Izogibajte se uporabi orodja pri visokih temperaturah, kolikor je to mogoče. Med uporabo orodja upoštevajte svoje fizično stanje.

POZOR: Pazite, da se med rezanjem nenamerno ne dotaknete kovinske ograje ali drugih trdih predmetov. Rezila se lahko zlomijo in povzročijo telesne poškodbe.

POZOR: Pazite, da se rezila ne dotikajo tal. Orodje lahko udari nazaj in povzroči telesne poškodbe.

POZOR: Previsoko seganje z rezalnikom za živo mejo, še posebej z lestve, je izjemno nevarno. Ne delajte, medtem ko stojite na majavi ali nestabilni podlagi.

OBVESTILO: S tem orodjem ne poskušajte rezati vej, debelejših od 10 mm. Pred uporabo orodja s škarjami za veje odrežite veje do višine 10 cm nižje od višine za rezanje.

► **Sl.22:** (1) Višina za rezanje (2) 10 cm

OBVESTILO: Ne režite podrtih dreves ali podobnih trdih predmetov. Pri tem lahko poškodujete orodje.

OBVESTILO: Z rezili ne režite trave ali plevela. Rezila se lahko zapletejo v travo ali plevel.

Orodje držite z obema rokama, držite sprednji ročaj, medtem ko držite preklonno ročico in povlecite sprožilac, nato orodje pomaknite naprej.

► **Sl.23**

Pri osnovni uporabi nagnite rezila v smeri rezanja in jih mirno in počasi premikajte pri hitrosti 3 do 4 sekunde na meter.

► **Sl.24**

Za enakomerno rezanje vrha žive meje privežite vrvico v želeni višini žive meje in režite vzdolž vrvice.

► **Sl.25**

Če je prestreznik odrezanega materiala pritrjen na rezila, zbira odpadlo listje in olajša čiščenje po zaključenem delu.

► **Sl.26**

Za enakomerno rezanje žive meje ob straneh režite od spodaj navzgor.

► **Sl.27**

Ko želite pri rezanju ustvariti okroglo obliko (ko režete zeleniko, rododendron itd.), režite od korenine navzgor, da ustvarite lep končni izdelek.

► **Sl.28**

VZDRŽEVANJE

⚠ POZOR: Preden se lotite pregledovanja ali vzdrževanja orodja, se vedno prepričajte, da je orodje izklopljeno in akumulatorska baterija odstranjena.

VARNO in ZANESLJIVO delovanje tega izdelka bo zagotovljeno le, če boste popravila, vzdrževanje in nastavitve prepustili pooblaščenemu servisu za orodja Makita ali tovarniškemu osebju, ki vgrajuje izključno originalne nadomestne dele.

Čiščenje orodja

Orodje očistite tako, da obrišete prah s suho krpo ali krpo, ki ste jo namočili v milnico in jo nato dobro oželi.

OBVESTILO: Nikoli ne uporabljajte bencina, razredčila, alkohola ali podobnega sredstva. V tem primeru se lahko orodje razbarva ali deformira oziroma lahko nastanejo razpoke.

Vzdrževanje rezila škarij

Pred uporabo orodja ali enkrat na uro med uporabo premažite rezila z oljem z nizko viskoznostjo (strojno olje ali mazalno olje v razpršilu).

► SI.29

Po uporabi odstranite prah z obeh strani rezil z žičnato krtačo, rezila obrišite s krpo in nato nanje nanesite olje z nizko viskoznostjo (strojno olje ali mazalno olje v razpršilu).

► SI.30

OBVESTILO: Rezil ne čistite z vodo. V nasprotnem primeru lahko pride do rje ali poškodb orodja.

OBVESTILO: Umazanija in korozija povzročata čezmerno trenje rezil in skrajšata čas delovanja na eno polnjenje akumulatorja.

Shranjevanje

Odprtina za obešanje v podstavku orodja je primerna za obešanje orodja na žebelj ali vijak v steni.

Namestite pokrov rezil na rezila, tako da rezila niso izpostavljena. Orodje hranite izven dosega otrok.

Orodje hranite na mestu, ki ni izpostavljeno vlagi ali dežju.

► SI.31: 1. Odprtina

Brušenje rezil

OBVESTILO: Če rezila močno spremenijo obliko zaradi brušenja, jih zamenjajte z novimi.

1. Akumulatorsko baterijo namestite v orodje.
2. Vključite in zaženite orodje, da zgornje in spodnje rezilo nista poravnana.
► SI.32
3. Izklopite orodje in odstranite akumulatorsko baterijo.
4. Kot pile nastavite na 35° in zgornje rezilo brusite iz 2 smeri.
► SI.33: (1) Pila (2) 35°

⚠ POZOR: Pred brušenjem rezil se prepričajte, da je orodje izklopljeno in akumulatorska baterija odstranjena.

5. Orodje obrnite na glavo in z brusnim kamnom odstranite zarobke z rezil.
► SI.34: 1. Brusni kamen
6. Kot pile nastavite na 35° in spodnje rezilo brusite iz 2 smeri.
7. Orodje obrnite v običajen položaj in z brusnim kamnom odstranite zarobke z rezil.

Mazanje z mastjo

Interval mazanja: Vsakih 50 ur delovanja

1. Odstranite vijak iz odprtine za nanos masti.
► SI.35: 1. Vijak
2. Odstranite kapico z vsebnika za mast. Poravnajte odprtino vsebnika za mast z odprtino na pokrovu, nato pa vsebnik za mast obrnite, da odprtino vsebnika za mast pritrdite v odprtino.
► SI.36: 1. Vsebnik za mast 2. Odprtina
3. Mast stisnite v orodje (približno 3 g).
4. Odstranite vsebnik z mastjo.
5. Privijte vijak.

ODPRAVLJANJE TEŽAV

Preden zahtevate popravilo, izvedite lasten pregled. Če naletite na težavo, ki ni pojasnjena v navodilih, ne poskušajte razstavljati orodja. Namesto tega se obrnite na pooblaščen servis Makita. Pri popravilih vedno uporabljajte nadomestne dele Makita.

Neobičajno stanje	Možni vzroki (okvare)	Ukrep
Motor ne obratuje.	Akumulatorska baterija ni nameščena.	Namestite akumulatorsko baterijo.
	Težava z akumulatorjem (padec napetosti)	Znova napolnite akumulatorsko baterijo. Če z vnovičnim polnjenjem ne odpravite težave, zamenjajte akumulatorsko baterijo.
	Pogonski sistem ne deluje pravilno.	Za popravilo se obrnite na lokalni pooblaščen servisni center.
Motor se zaustavi po kratkem času uporabe kosilnice.	Raven napolnenosti akumulatorja je nizka.	Znova napolnite akumulatorsko baterijo. Če z vnovičnim polnjenjem ne odpravite težave, zamenjajte akumulatorsko baterijo.
	Pregrevanje.	Prenehajte uporabljati orodje in pustite, da se ohladi.
Orodje ne doseže največje hitrosti.	Akumulatorska baterija ni pravilno nameščena.	Namestite akumulatorsko baterijo, kot je opisano v tem priročniku.
	Zmogljivost akumulatorja se zmanjšuje.	Znova napolnite akumulatorsko baterijo. Če z vnovičnim polnjenjem ne odpravite težave, zamenjajte akumulatorsko baterijo.
	Pogonski sistem ne deluje pravilno.	Za popravilo se obrnite na lokalni pooblaščen servisni center.
Rezila škarij se ne premikajo: ⇒ takoj zaustavite kosilnico!	Med rezili škarij so ujeti tujki.	Izklopite orodje in odstranite akumulatorsko baterijo, nato pa odstranite tujke z orodjem, kot so klešče.
	Pogonski sistem ne deluje pravilno.	Za popravilo se obrnite na lokalni pooblaščen servisni center.
Neobičajno vibriranje: ⇒ takoj zaustavite kosilnico!	Rezila škarij so polomljena, zvita ali obrabljena.	Zamenjajte rezila škarij.
	Pogonski sistem ne deluje pravilno.	Za popravilo se obrnite na lokalni pooblaščen servisni center.
Rezila škarij in motor se ne morejo ustaviti: ⇒ takoj odstranite akumulatorsko baterijo!	Električna napaka.	Odstranite akumulatorsko baterijo in se za popravilo obrnite na lokalni pooblaščen servisni center.

DODATNA OPREMA

⚠ POZOR: Ta dodatni pribor ali pripomočki so predvideni za uporabo z orodjem Makita, ki je opisano v teh navodilih za uporabo. Pri uporabi drugega pribora ali pripomočkov obstaja nevarnost telesnih poškodb. Dodatni pribor ali pripomočke uporabljajte samo za navedeni namen.

Za več informacij o dodatni opremi se obrnite na najbližji pooblaščen servis za orodja Makita.

- Sklop rezila škarij
- Pokrov rezila
- Prestreznik odrezanega materiala
- Vsebnik za mast
- Originalna akumulator in polnilnik Makita

OPOMBA: Nekateri predmeti na seznamu so lahko priloženi orodju kot standardna dodatna oprema. Lahko se razlikujejo od države do države.

SPECIFIKIMET

Modeli:	DUH506	DUH606
Gjatësia e fletës	500 mm	600 mm
Goditje në minutë	4 000 min ⁻¹	
Gjatësia totale (pa bateri)	846 mm	965 mm
Tensioni nominal	D.C. 18 V	
Pesha neto	2,5 - 2,9 kg	2,7 - 3,0 kg

- Për shkak të programit tonë të vazhdueshëm të kërkim-zhvillimit, specifikimet që jepen këtu mund të ndryshojnë pa dhënë njoftim.
- Specifikimet mund të ndryshojnë nga njëri shtet në tjetrin.
- Pesha mund të ndryshojë në varësi të aksesorit(ëve), përfshirë kutinë e baterisë. Kombinimi më i lehtë dhe më i rëndësishëm, sipas Procedurës EPTA 01/2014, tregohet në tabelë.

Kutia e aplikueshme e baterisë dhe karikuesi

Kutia e baterisë	BL1815N / BL1820B / BL1830B / BL1840B / BL1850B / BL1860B
Karikuesi	DC18RC / DC18RD / DC18RE / DC18SD / DC18SE / DC18SF / DC18SH / DC18WC

- Disa prej kutive të baterive dhe karikuesve të renditura më lart mund të mos jenë të disponueshme në varësi të zonës ku ju banoni.

⚠ PARALAJMËRIM: Përdorni vetëm kutitë e baterisë dhe karikuesit e listuar më lart. Përdorimi i karikuesve dhe kutive të tjera të baterisë mund të shkaktojë lëndim dhe/ose zjarr.





Rekomandohet burim energjie i lidhur me kordon

Paketë elektrike portative	PDC01
----------------------------	-------

- Burimet e energjisë të lidhura me kordon të listuara më lart mund të mos jenë të disponueshme në varësi të zonës ku banoni.
- Përpara se të përdorni burimin e energjisë të lidhur me kordon, lexoni udhëzimet dhe shënimet e kujdesit në to.

Simbolet

Pjesët në vazhdim tregojnë simbolet që mund të përdoren për pajisjen. Sigurohuni që merrni vesh kuptimin e tyre përpara përdorimit.

	Lexoni manualin e përdorimit.
	Mbani mbrojtëse për sytë.
	RREZIK - Mbajini duart larg fletës.
	Mos e ekspozoni ndaj lagështirës.



Vetëm për shtetet e BE-së
Për shkak të pranisë së komponentëve të rrezikshëm në pajisje, mbetjet e pajisjeve elektronike dhe elektrike, akumulatorët dhe bateritë, mund të kenë ndikim negativ në mjedis dhe në shëndetin e njerëzve. Mos i hidhni pajisjet elektrike dhe elektronike ose bateritë me mbetjet shtëpiake!
Në përputhje me Direktivën Evropiane për mbetjet e pajisjeve elektrike dhe elektronike, akumulatorët dhe bateritë, dhe mbetjet e akumulatorëve dhe baterive, si dhe përfshirjen e saj në ligjin kombëtar, mbetjet e pajisjeve elektrike dhe elektronike, akumulatorëve dhe baterive, duhet të mbahen veçmas dhe të dorëzohen në një pikë grumbullimi të veçantë për mbetjet komunale, duke vepruar në përputhje me rregulloret e mbrojtjes së mjedisit. Kjo tregohet nga simboli i koshit të plehrave me kryq, të vendosur mbi pajisje.



Niveli i garantuar i fuqisë së zhurmës sipas Direktivës së BE-së për Nivelin e Zhurmës Jasthtë.



Niveli i fuqisë së zhurmës sipas Rregullores së Australisë NSW për Kontrollin e Zhurmës

Përdorimi i synuar

Vegla është prodhuar për t'u përdorur për prerjen e shkurreve.s

Zhurma

Standardi i zbatueshëm : EN62841-4-2

Modeli	Niveli i presionit të zhurmës		Niveli i fuqisë së zhurmës	
	L _{pA} (dB(A))	Pasiguria K (dB(A))	L _{WA} (dB(A))	Pasiguria K (dB(A))
DUH506	77	3	88	3
DUH606	79	3	90	3

SHËNIM: Vlerat e deklaruar totale të emetimeve të zhurmës janë matur sipas një metode standarde testimi dhe mund të përdoren për të krahasuar një vegël me një tjetër.

SHËNIM: Vlerat e deklaruar të emetimeve të zhurmës mund të përdoren për një vlerësim paraprak të ekspozimit.

⚠ PARALAJMËRIM: Mbani mbrojtëse për veshët.

⚠ PARALAJMËRIM: Emetimet e zhurmës gjatë përdorimit aktual të veglës elektrike mund të ndryshojnë nga vlerat e deklaruar në varësi të mënyrave sesi përdoret vegla, veçanërisht nga lloji i materialit të punës që përdoret.

⚠ PARALAJMËRIM: Vërtetoni që masat e sigurisë për mbrojtjen e përdoruesit bazohen në vlerësimin e ekspozimit ndaj kushteve aktuale të përdorimit (duke marrë parasysh të gjitha pjesët e ciklit të funksionimit si ato kur pajisja është e fikur dhe punon pa prerë ashtu edhe kohën e përdorimit).

Dridhja

Vlera totale e dridhjeve (shuma e vektorit me tre akse) përcaktohet sipas EN62841-4-2:

Modeli	Doreza e përparme		Doreza e pasme	
	ah (m/s ²)	Pasiguria K (m/s ²)	ah (m/s ²)	Pasiguria K (m/s ²)
DUH506	2,5 m/s ² ose më pak	1,5	2,5 m/s ² ose më pak	1,5
DUH606	2,5 m/s ² ose më pak	1,5	2,5 m/s ² ose më pak	1,5

SHËNIM: Vlerat e deklaruar totale të dridhjeve janë matur sipas një metode standarde testimi dhe mund të përdoren për të krahasuar një vegël me një tjetër.

SHËNIM: Vlerat e deklaruar totale të dridhjeve mund të përdoren për një vlerësim paraprak të ekspozimit.

⚠ PARALAJMËRIM: Emetimet e dridhjeve gjatë përdorimit aktual të veglës elektrike mund të ndryshojnë nga vlerat e deklaruar në varësi të mënyrave sesi përdoret vegla, veçanërisht nga lloji i materialit të punës që përdoret.

⚠ PARALAJMËRIM: Vërtetoni që masat e sigurisë për mbrojtjen e përdoruesit bazohen në vlerësimin e ekspozimit ndaj kushteve aktuale të përdorimit (duke marrë parasysh të gjitha pjesët e ciklit të funksionimit si ato kur pajisja është e fikur dhe punon pa prerë ashtu edhe kohën e përdorimit).

Deklarata e konformitetit me KE-në

Vetëm për shtetet evropiane

Deklarata e konformitetit me KE-në përfshihet si Shtojca A në këtë manual përdorimi.

PARALAJMËRIME SIGURIE

Paralajmërimet e përgjithshme për sigurinë e veglës

▲ PARALAJMËRIM: Lexoni të gjitha paralajmërimet për sigurinë, udhëzimet, ilustrimet dhe specifikimet e dhëna me këtë vegël elektrike. Mosndjekja e të gjitha udhëzimeve të renditura më poshtë mund të shkaktojë goditje elektrike, zjarr dhe/ose lëndim të rëndë.

Ruajini të gjitha paralajmërimet dhe udhëzimet për të ardhmen.

Termi "vegël elektrike" në paralajmërimet referohet veglës elektrike që përdoret e lidhur në prizë (me kordon) ose veglës së përdorur me bateri (pa kordon).

Paralajmërimet e sigurisë për prerësin e shkurreve me bateri

- Mbajini të gjitha pjesët e trupit larg fletës. Mos e largoni materialin e prerë dhe mos e mbani materialin që do të prisni kur fletët janë në lëvizje.** Fletët vazhdojnë të rrotullohen pasi çelësi të jetë fikur. Një moment pakujdesie gjatë përdorimit të prerësit të shkurreve mund të shkaktojë lëndim të rëndë personal.
- Transportojeni prerësin e shkurreve nga doreza me fletën të ndaluar dhe kujdesuni që të mos e vini në punë çelësin e energjisë.** Transportimi i duhur i prerësit të shkurreve do të ulë rrezikun e nisjes aksidentale dhe lëndimeve personale rezultuese nga fletët.
- Vendosni gjithmonë kapakun e fletës gjatë transportimit ose ruajtjes së prerësit të shkurreve.** Përdorimi i duhur i prerësit të shkurreve do të reduktojë rrezikun e lëndimit personal nga fletët.
- Gjatë pastrimit të materialit të ngecur ose shërbimit të njësisë, sigurohuni që të gjithë çelësat të jenë të fikur dhe paketa e baterisë të jetë e hequr ose e shkëputur.** Aktivizimi i papritur i prerësit të shkurreve gjatë pastrimit të materialit të ngecur ose shërbimit mund të rezultojë në lëndime të rënda personale.
- Mbajeni prerësin e shkurreve vetëm te sipërfaqet e izoluar të kapjes sepse fleta mund të prekë tela të fshehur.** Nëse fletët prekin një tel me rrymë atëherë pjesët metalike të prerësit të shkurreve elektrizohen dhe mund t'i japin përdoruesit goditje elektrike.
- Mbajini të gjithë kordonët e energjisë dhe kabllo të larg nga zona e prerjes.** Kordonët e energjisë ose kabllo mund të fshihen në gëmusha ose shkurre dhe mund të priten aksidentalisht nga fleta.
- Mos e përdorni prerësin e shkurreve në kushte të këqija atmosferike, veçanërisht kur ka rrezik për vetëtimin.** Kjo redukton rrezikun e goditjes nga vetëtimin.

- Kur ia jepni dikujt prerësin e shkurreve, vendoseni një herë në tokë dhe kapeni pasi ta hiqni plotësisht dorën.** Kalimi me dorë i prerësit të shkurreve shkakton mbajtjen e dorezës së përparme dhe të dorezës së pasme në të njëjtën kohë, dhe më pas prerësi i shkurreve fillon pa dashje. Ndezja aksidentale mund të shkaktojë lëndim të rëndë.

Udhëzime shtesë mbi sigurinë

Përgatitja

- Kontrolloni kaçubrat dhe shkurret për objekte të huaja, si p.sh. gardhe me tela ose instalime elektrike të fshehura përpara se të përdorni veglën.**
- Vegla nuk duhet të përdoret nga fëmijët ose nga personat nën 18 vjeç.** Të rinjtë mbi 16 vjeç mund të përjashtohen nga ky kufizim nëse trajnohen nën mbikëqyrjen e një eksperti.
- Përdoruesit fillestarë duhet të kenë pranë një përdorues me përvojë që t'u tregojë si përdoret vegla.**
- Përdorini veglën vetëm nëse jeni në gjendje të mirë fizike.** Vëmendja reduktohet nëse jeni të lodhur. Tregohuni veçanërisht të kujdesshëm në fund të ditës së punës. Kryejini të gjitha punët me qetësi dhe kujdes. Përdoruesit është përgjegjës për të gjitha dëmtimet ndaj palëve të treta.
- Asnjëherë mos e përdorni veglën nën ndikimin e alkoolit, drogave ose mjekimeve.**
- Dorezat e punës prej lëkure të fortë janë pjesë e pajisjeve bazë të veglës dhe duhet të vishen gjithmonë gjatë përdorimit të saj.** Mbani gjithashtu këpucë të forta me shuall kundër rrëshqitjes.
- Përpara se të filloni punën, kontrolloni për t'u siguruar që vegla është në gjendje pune të mirë dhe të sigurt.** Sigurohuni që mbrojtëset janë vendosur siç duhet. Vegla nuk duhet të përdoret nëse nuk është montuar plotësisht.

Përdorimi

- Mbajeni veglën fort me të dyja duart gjatë përdorimit.**
- Vegla është e destinuar për t'u përdorur nga përdoruesi në nivel toke.** Mos e përdorni veglën mbi shkallë apo mbështetje të tjera të paqëndrueshme.
- RREZIK - Mbajini duart larg fletës.** Kontakti me fletën do të rezultojë në lëndim të rëndë personal.
- Mos e përdorni veglën në shi ose në kushte shumë të lagështa.** Motori elektrik nuk është rezistues ndaj ujit.
- Sigurohuni që keni mbështetje të sigurt të këmbëve përpara se të filloni punën.**
- Mos e përdorni veglën pa ngarkesë nëse nuk është e nevojshme.**
- Fikeni menjëherë veglën dhe hiqni kutinë e baterisë nëse fletët e gërshërëve prekin ndonjë gardh ose objekt tjetër të fortë.** Kontrolloni fletët për dëmtim dhe riparojini menjëherë fletët nëse janë dëmtuar.
- Fikeni gjithmonë veglën dhe hiqni kutinë e baterisë përpara se të kontrolloni fletët e gërshërëve, të ndreqni defektet ose të hiqni materialet e ngecura te vegla.**

9. Asnjëherë mos i drejtoni fletët e gërsërëve ndaj vetes ose të tjerëve.
10. Nëse fletët ndalojnë lëvizjen për shkak të ngecjes së objekteve të huaja mes fletëve gjatë përdorimit, fikni veglën dhe hiqni kutinë e baterisë, më pas hiqni objektet e huaja duke përdorur vegla të tilla si pincat. Heqja e objekteve të huaja me dorë mund të shkaktojë plagosje për arsye se fletët mund të lëvizin si reagim ndaj heqjes së objekteve të huaja.

Siguria elektrike dhe e baterisë

1. Shmangni mjediset e rrezikshme. Mos e përdorni veglën në vende të lagështa ose të lagura dhe mos e ekspozoni ndaj shiut. Uji që hyn në vegël mund të rrisë rrezikun e goditjeve elektrike.
2. Mos e hidhni baterinë(të) në zjarr. Ajo mund të shpërthejë. Kontrolloni kodet vendore për udhëzime të mundshme të veçanta të hedhjes.
3. Mos e hapni dhe mos e shformoni baterinë(të). Elektroliti i çliruar është gërryes dhe mund të dëmtojë sytë ose lëkurën. Ai mund të jetë toksik nëse gëlltitet.
4. Mos e karikoni baterinë në shi ose në vende të lagura.
5. Mos e karikoni baterinë në ambiente të jashtme.
6. Mos e manovroni me duar të lagura karikuesin, as spinën dhe kontaktet e tij.

Mirëmbajtja dhe ruajtja

1. Fikni gjithmonë veglën dhe hiqni kutinë e baterisë përpara se të kryeni mirëmbajtje.
2. Hiqni gjithmonë kutinë e baterisë dhe vendoseni kapakun e fletëve mbi fletët e gërsërëve gjatë lëvizjes së veglës në një vend tjetër apo gjatë punës. Asnjëherë mos e mbani ose mos e transportoni veglën ndërkohë që fletët janë në punë. Mos i kapni asnjëherë fletët me duar.
3. Pastrojeni veglën dhe sidomos fletët e gërsërëve pas përdorimit dhe përpara se ta magazinoni veglën për periudha të gjata kohore. Lyeji fletët pak me vaj dhe vendosni kapakun e fletës.
4. Ruajeni veglën në një dhomë të thatë, me kapakun e fletës të vendosur. Mbajeni larg fëmijëve. Mos e ruani asnjëherë veglën jashtë.
5. Mos e hidhni baterinë(të) në zjarr. Ajo mund të shpërthejë. Kontrolloni kodet vendore për udhëzime të mundshme të veçanta të hedhjes.
6. Mos e hapni dhe mos e shformoni baterinë(të). Elektroliti i çliruar është gërryes dhe mund të dëmtojë sytë ose lëkurën. Ai mund të jetë toksik nëse gëlltitet.
7. Mos e karikoni baterinë në shi ose në vende të lagura.

RUAJINI KËTO UDHËZIME.

▲ PARALAJMËRIM: MOS lejoni që njohja ose familjarizimi me produktin (të fituara nga përdorimi i shpeshtë) të zëvendësojnë zbatimin me përpikëri të rregullave të sigurisë për produktin në fjalë. KEQPËRDORIMI ose mosndjekja e rregullave të sigurisë të dhëna në këtë manual përdorimi mund të shkaktojë dëmtime të rënda personale.

Udhëzime të rëndësishme rreth sigurisë për kutinë e baterisë

1. Përpara se ta përdorni kutinë e baterisë, lexoni të gjitha udhëzimet dhe shënimet e masave parandaluese të (1) ngarkuesi i baterisë, (2) bateria dhe (3) produkti që përdor baterinë.
2. Mos e gmontoni ose dëmtoni kutinë e baterisë. Kjo mund të shkaktojë zjarr, nxehtësi të lartë ose shpërthim.
3. Nëse koha e përdorimit është shkurtuar jashtë mase, ndalojeni punën menjëherë. Kjo mund të rezultojë në rrezik mbinxehjeje, djegie të mundshme, madje edhe shpërthim.
4. Nëse ju futen elektrolitit në sy, shpëlajini sytë me ujë të pastër dhe kërkoni ndihmë mjekësore menjëherë. Kjo gjë mund të rezultojë në humbje të shikimit.
5. Mos bëni lidhje të shkurtër me kutinë e baterisë:
 - (1) Mos i prekni terminalet me materiale përcjellëse.
 - (2) Shmangni ruajtjen e kutisë së baterisë në një kuti me objekte të tjera metalike, si gozhdë, monedha etj.
 - (3) Mos e ekspozoni kutinë e baterisë në ujë ose shi.
- Qarku i shkurtër i baterisë mund të shkaktojë qarkullim të madh të rrymës elektrike, mbinxehje, djegie të mundshme dhe madje prishje.
6. Mos e ruani dhe mos e përdorni pajisjen dhe kutinë e baterisë në vende ku temperatura mund të arrijë ose tejkalojë 50 °C (122 °F).
7. Mos e digjni kutinë e baterisë, edhe nëse është shumë e dëmtuar ose është konsumuar plotësisht. Kutia e baterisë mund të shpërthejë në zjarr.
8. Mos e shponi, pritni, shtypni, hidhni apo rrëzoni kutinë e baterisë apo ta goditni kutinë e baterisë me një objekt të fortë. Një sjellje e tillë mund të shkaktojë zjarr, nxehtësi të lartë ose shpërthim.
9. Mos përdorni bateri të dëmtuar.
10. Bateritë e përfshira të litiumit, u nënshtrohen kërkesave të legjislacionit për mallrat e rrezikshme.

Për transport tregtar p.sh. nga palë të treta, agjentët të ndërmjetëm, duhet të ndiqen kërkesa specifike mbi paketimin dhe etiketimin. Për përgatitjen e artikullit për transport, është i nevojshëm konsultimi i një eksperti për materiale të rrezikshme. Ju lutemi, ndiqni gjithashtu rregulloret me gjasë më të detajuara vendore. Mbuloni me ngjitëse ose maskoni kontaktet e zhveshura dhe paketojeni baterinë në mënyrë të tillë që të mos lëvizë në paketim.
11. Kur hidhni kutinë e baterisë, hiqeni nga vegla dhe hidhni në një vend të sigurt. Zbatoni rregulloret lokale rreth hedhjes së baterisë.
12. Përdorini bateritë vetëm me produktet e specifikuar nga Makita. Instalimi i baterive në produktet të papajtueshme mund të rezultojë në zjarr, nxehtësi të lartë, shpërthim ose rrjedhje të elektrolitëve.

13. Nëse vegla nuk përdoret për një periudhë të gjatë kohe, bateria duhet të hiqet nga vegla.
14. Gjatë dhe pas përdorimit, kutia e baterisë mund të nxehet, gjë që mund të shkaktojë djegie ose djegie në temperaturë të ulët. Tregoni kujdes gjatë manovrimit të kutive të nxeha të baterive.
15. Mos prekni terminalin e veglës menjëherë pas përdorimit pasi mund të nxehet aq shumë sa të shkaktojë djegie.
16. Mos lejoni që grumbullimin e ashklave, pluhurave ose papastërtive në terminalet, vrimat ose kanalet e kutisë së baterisë. Mund të shkaktojë ngrohje, marrje flakë, plasje dhe avari të veglës ose të kutisë së baterisë, duke rezultuar në djegie ose lëndime personale.
17. Përveç kur vegla e mbështet përdorimin pranë linjave elektrike me voltazh të lartë, mos e përdorni kutinë e baterisë pranë linjave elektrike me voltazh të lartë. Kjo mund të shkaktojë një defekt ose dëmtim të veglës ose të kutisë së baterisë.
18. Mbajeni baterinë larg fëmijëve.

RUAJINI KËTO UDHËZIME.

▲KUJDES: Përdorni vetëm bateri origjinale Makita. Përdorimi i baterive jo-origjinale Makita ose baterive që mund të jenë modifikuar, mund të rezultojë në marrjen flakë të baterisë, lëndime personale apo dëmtime. Kjo do të anulojë gjithashtu edhe garancinë e Makita-s për veglën e Makita-s dhe ngarkuesin.

Këshilla për të ruajtur jetëgjatësinë maksimale të baterisë

1. Ngarkojeni baterinë përpara se të shkarkohet plotësisht. Gjithmonë ndaloni punën me pajisjen dhe ngarkoni baterinë kur vëreni ulje të fuqisë së pajisjes.
2. Asnjëherë mos e ringarkoni baterinë e ngarkuar plotësisht. Mbingarkimi shkurton jetëgjatësinë e shërbimit të baterisë.
3. Ngarkojeni baterinë në temperaturën e dhomës në 10 °C - 40 °C. Lëreni kutinë e nxehët të baterisë të ftohet përpara se ta ngarkoni atë.
4. Kur nuk e përdorni kutinë e baterisë, hiqeni atë nga vegla ose karikuesi.
5. Ngarkojeni baterinë nëse nuk e përdorni për një kohë të gjatë (mbi gjashtë muaj).

PËRSHKRIMI I PUNËS

▲KUJDES: Sigurohuni gjithmonë që vegla të jetë e fikur dhe kutia e baterisë të jetë hequr përpara se ta rregulloni apo t'i kontrolloni funksionet e veglës.

Instalimi ose heqja e kutisë së baterisë

▲KUJDES: Fikeni gjithmonë veglën përpara se të instaloni ose hiqni kutinë e baterisë.

▲KUJDES: Mbajeni fort veglën dhe kutinë e baterisë kur montoni ose hiqni kutinë e baterisë. Mosmbajta fort e veglës dhe e kutisë së baterisë mund të bëjë që t'ju rreshqasin nga duart dhe të shkaktojë dëmtim të veglës dhe të kutisë së baterisë, si dhe lëndim personal.

► Fig.1: 1. Treguesi i kuq 2. Butoni 3. Kutia e baterisë

Për të hequr kutinë e baterisë, rreshqiteni atë nga vegla ndërsa rreshqisni butonin në pjesën e përparme të kutisë së baterisë.

Për të vendosur kutinë e baterisë, bashkërendisni gjuhëzën e kutisë së baterisë me kanalën e folesë dhe rreshqiteni për ta futur. Futeni deri në fund, derisa të kërcasë dhe të bllokohet në vend. Nëse shikoni treguesin e kuq siç tregohet në figurë, nuk është e bllokuar plotësisht.

▲KUJDES: Vendoseni gjithnjë plotësisht kutinë e baterisë derisa treguesi i kuq të mos duket. Në të kundërt, ajo mund të bjerë aksidentalisht nga vegla duke ju lënduar juve ose personin pranë jush.

▲KUJDES: Mos e vendosni me forcë kutinë e baterisë. Nëse kutia nuk hyn lehtë, nuk po e futni siç duhet.

Treguesi i kapacitetit të mbetur të baterive

Vetëm për kuti baterie me llambë

► Fig.2: 1. Llambat treguese 2. Butoni i kontrollit Shtypni butonin e kontrollit në kutinë e baterisë për të treguar kapacitetin e mbetur të baterisë. Llambat treguese ndizen për pak sekonda.

Llambat treguese			Kapaciteti i mbetur
Ndezur	Fikur	Duke pulsuar	
■	□	▧	75% deri 100%
■	■	□	50% deri 75%
■	□	□	25% deri 50%
■	□	□	0% deri 25%
▧	□	□	Ngarkojeni baterinë.
■	□	□	Llambushka mund të ketë keqfunksionuar.
□	□	■	

SHËNIM: Në varësi të kushteve të përdorimit dhe të temperaturës së ambientit, treguesit mund të ndryshojë paksa nga kapaciteti aktual.

SHËNIM: Llamba e parë e treguesit (në fund majtas) do të pulsojë kur sistemi i mbrojtjes së baterisë është në punë.

Sistemi i mbrojtjes së veglës/ baterisë

VINI RE: Në varësi të kushteve të përdorimit, vegla ndalon automatikisht pa treguar nëse të vegla ngecin degë ose mbetje. Në këtë rast, fikeni veglën dhe hiqni kutinë e baterisë, më pas hiqni degët ose mbetjet e ngecura duke përdorur vegla të tilla si pincat. Pas heqjes së degëve ose mbetjeve, instaloni kutinë e baterisë dhe ndizeni sërish veglën.

Vegla është e pajisur me një sistem të mbrojtjes së veglës/baterisë. Ky sistem ndërpret automatikisht energjinë në motor për të zgjatur jetëgjatësinë e veglës dhe baterisë. Vegla do të ndalojë automatikisht gjatë punës nëse vegla ose bateria janë vendosur sipas një prej kushteve të mëposhtme:

Mbrojtja nga mbingarkesa

Kur vegla ose bateria vihet në punë në një mënyrë që e bën atë të tërheqë një korrent më të lartë nga normalja, vegla fiket automatikisht. Në këtë situatë, fikeni veglën dhe ndaloni punën që shkaktoi mbingarkesën e veglës. Pastaj ndizeni veglën për të rinisur punën.

Mbrojtja ndaj mbinxehjes

Kur vegla ose bateria mbinxehet, vegla ndalon automatikisht. Në këtë rast, lëreni veglën dhe baterinë të ftohet përpara se ta ndizni sërish.

Mbrojtja nga mbishkarkimi

Kur kapaciteti i baterisë nuk është i mjaftueshëm, vegla ndalon automatikisht. Në këtë rast, hiqni baterinë nga vegla dhe ngarkojeni.

Mbrojtjet nga shkaqe të tjera

Sistemi i mbrojtjes është menduar edhe për shkaqe të tjera që mund ta dëmtojnë veglën dhe i lejon veglës të ndalojë automatikisht. Ndërmerrni të gjitha hapat e mëposhtme për të zgjidhur rastet, kur vegla ka arritur në ndalim të përkohshëm apo ndërprerje të punës.

1. Fikeni veglën dhe pastaj rindizeni për të rifilluar.
2. Karikoni bateritë ose ndërrojini me bateri të karikuara.
3. Lëreni makinerinë dhe bateritë të ftohen.

Nëse nuk vini re ndonjë përmirësim me rivendosjen e sistemit të mbrojtjes, kontaktoni qendrën vendore të shërbimit të Makita.

VINI RE: Nëse vegla ndalon për një shkak që nuk është përshkruar më lart, referojuni seksionit për ndreqjen e problemeve.

Veprimi i ndërrimit

▲ PARALAJMËRIM: Për sigurinë tuaj, kjo vegël është pajisur me një levë çelësi e cila parandalon nisjen aksidentale të veglës. **ASNJËHERË** mos e përdorni veglën nëse ndizet kur thjesht tërhiqni këmbëzën e çelësit, pa shtypur levën e çelësit. Çojeni veglën në qendrën tonë të autorizuar të shërbimit për riparimet e duhura **PËRPARA** përdorimit të mëtejshëm.

▲ PARALAJMËRIM: **ASNJËHERË** mos e ngjisni me shirit apo pengoni qëllimin dhe funksionin e levës së çelësit.

▲ PARALAJMËRIM: Përpara se të vendosni kutinë e baterisë në vegël, kontrolloni gjithmonë për të parë nëse këmbëza e çelësit dhe leva e çelësit aktivizohen siç duhet dhe kthehen në pozicionin "OFF" (fikur) kur lëshohen. Përdorimi i veglës me një çelës që nuk funksionon siç duhet mund të çojë në humbje të kontrollit dhe lëndime personale të rënda.

▲ KUJDES: Mos e vendosni kurrë gishtin të çelësit gjatë transportit. Vegla mund të ndizet pa dashje dhe t'ju lëndojë.

Për ta ndezur veglën, mbihiqni dorezën e përparme ndërkohë që shtypni levën e çelësit dhe tërhiqni këmbëzën e çelësit. Për ta ndaluar veglën, lëshoni ose këmbëzën e çelësit, ose levën e çelësit.

- **Fig.3:** 1. Doreza e përparme 2. Leva e çelësit 3. Këmbëza e çelësit

Llamba e treguesit

► **Fig.4:** 1. Llamba e treguesit

Llamba treguese pulson ose ndizet kur bateria bie apo ka mbingarkesë të veglës. Drejtoju tabelës së mëposhtme për gjendjen dhe veprimet që duhen ndërmarrë.

Llamba e treguesit	Statusi	Veprimi që do të merret
Llamba pulson në të kuqe.	Bateria e mbetur është e ulët.	Karikoni baterinë ose ndërrojini baterinë me një të karikuar.
Llamba ndizet në të kuqe.	Bateria e mbetur është e zbrazur.	Karikoni baterinë ose ndërrojini baterinë me një të karikuar.
	Vegla ka ndaluar për shkak të mbingarkesës.	Fikeni veglën dhe hiqni shkakun e mbingarkesës.
	Vegla ka ndaluar për shkak të mbinxehjes.	Fikeni veglën dhe ftoheni veglën dhe baterinë.

SHËNIM: Koha në të cilën llamba e treguesit pulson ose ndizet varion sipas temperaturës rreth zonës së punës dhe kushteve të kutisë së baterisë.

Funksioni elektronik

Vegla është e pajisur me funksione elektronike për përdorim të lehtë.

- Kontrolli i shpejtësisë konstante
Funksioni i kontrollit të shpejtësisë ofron rrotullim konstant pavarësisht kushteve të ngarkesës.
- Freni elektrik
Kjo vegël është pajisur me fren elektrik. Nëse vegla vazhdimisht dështon të ndalojë shpejt fletët e gërrshërëve pas lëshimit të këmbëzës së çelësit, kërkoni që veglën t'i kryhet shërbimi në qendrën e autorizuar të shërbimit të Makita.
- Funksioni parandalues për rindezjen e paqëllimshme
Vegla nuk ndizet as kur vendosni kutinë e baterisë teksa tërhiqni këmbëzën e çelësit. Për ta ndezur veglën, në fillim lëshoni këmbëzën e çelësit dhe më pas tërhiqni këmbëzën e çelësit.

MONTIMI

▲KUJDES: Sigurohuni gjithmonë që vegla të jetë e fikur dhe kutia e baterisë të jetë hequr përpara se të kryeni ndonjë punë në vegël.

▲KUJDES: Gjatë ndërrimit të fletëve të gërrshërëve, mbani gjithmonë doreza në mënyrë që duart të mos kenë kontakt të drejtpërdrejtë me fletët.

VINI RE: Kur zëvendësoni fletët e gërrshërëve, mos e fshini grason nga ingranazhi dhe nga mekanizmi i ndezjes.

Instalimi ose heqja e fletëve të gërrshërëve

▲KUJDES: Vendosni kapakun e fletëve përpara se të hiqni ose të instaloni fletët e gërrshërëve.

Ju mund të instaloni fletë gërrshëre 500 mm apo 600 mm në veglën tuaj.

1. Vendosni kapakun e fletëve te fletët e gërrshërëve.
► **Fig.5:** 1. Kapaku i fletës
2. Vendosni veglën me kokë poshtë, më pas hiqni 6 bulonat dhe më pas hiqni kapakun dhe pllakën.
► **Fig.6:** 1. Buloni 2. Kapaku 3. Pllakëza

SHËNIM: Pllakëza mund të qëndrojë mbi kapak.

3. Rrotullojeni mekanizmin e ndezjes me kaçavidën e sheshtë në mënyrë që 2 vrimat të jenë pingul me fletët e gërrshërëve.
► **Fig.7:** 1. Mekanizmi i ndezjes 2. Vrima
4. Hiqni 2 bulonat, pllakën me shajak dhe bokullat, dhe më pas hiqni fletët e gërrshërëve.
► **Fig.8:** 1. Pllaka me shajak 2. Buloni 3. Bokulla
4. Fletët e gërrshërëve

5. Hiqni kapakun e fletëve dhe më pas vendosni te fletët e reja të gërrshërëve.

► **Fig.9:** 1. Kapaku i fletës

6. Drejtoni skajet e pasme të fletëve të gërrshërëve siç tregohet në figurë.

► **Fig.10:** 1. Skaji i pasmë

7. Rrëshqitini lehtë fletët e gërrshërëve siç tregohet në figurë dhe pastaj vendosuni manshetat.

► **Fig.11:** 1. Bokulla

8. Rrëshqitni kapakun e fletëve të gërrshërëve pak drejt majës së tyre dhe më pas lidhni me veglën.

► **Fig.12:** 1. Fletët e gërrshërëve

VINI RE: Aplikoni një sasi të vogël grasoje në pjesën periferike të brendshme të vrimës së fletëve të gërrshërëve.

VINI RE: Kini kujdes të mos lironi bokullat.

9. Rrëshqitni fletët e gërrshërëve dhe manshetat në mënyrë që vrimat në mansheta të jenë drejt me vrimat e veglës.

► **Fig.13:** 1. Vrima në vegël 2. Vrima në manshetë

10. Shtërngoni bulonat për të fiksuar fletët e gërrshërëve.

► **Fig.14:** 1. Buloni

11. Vendosni pllakën me shajak te fletët e gërrshërëve.

► **Fig.15:** 1. Pllaka me shajak

12. Bashkoni pllakëzën.

► **Fig.16:** 1. Pllakëza

13. Bashkoni kapakun dhe më pas shtërngoni 6 bulonat.

► **Fig.17:** 1. Buloni 2. Kapaku

VINI RE: Nëse fletët e gërrshërëve nuk lëvizin mirë, nuk janë lidhur siç duhet me manivelën. Instaloni sërish fletët e gërrshërëve.

VINI RE: Nëse pjesët ndryshe nga fletët e gërrshërëve, si p.sh. manivela, janë konsumuar, pyesni pranë qendrave të autorizuar të shërbimit të Makita për pjesë zëvendësuese ose riparime.

Instalimi ose heqja e grumbulluesit të ashklave

Aksesor opsional

▲KUJDES: Gjatë instalimit ose heqjes së mbledhësit të ashklave, mbani gjithmonë doreza në mënyrë që duart të mos kenë kontakt të drejtpërdrejtë me fletët e gërrshërëve.

VINI RE: Kapaku i fletës nuk mund të instalohet nëse mbledhësi i ashklave është i instaluar në vegël. Përpara transportimit ose ruajtjes së veglës, çinstaloni mbledhësin e ashklave dhe më pas instaloni kapakun e fletës për të shmangur ekspozimin e fletës.

VINI RE: Sigurohuni që ta hiqni kapakun e fletës përpara se të instaloni mbledhësin e ashklave.

Grumbulluesi i ashklave mbledh gjethet e hedhura dhe e bën pastrimin më pas shumë më të lehtë. Ai mund të montohet në cilëndo anë të veglës.

1. Bashkërenditni vrimat në mbledhësin e ashklave me vida në fletët e gërshërëve.
► **Fig.18:** 1. Vida

2. Vendosni gremçat e mbledhësit të ashklave në kanalën e fletëve të gërshërëve.
► **Fig.19:** 1. Kapëse 2. Kanali

3. Shtypni levat në mbledhësin e ashklave dhe më pas kapni gremçat në anën tjetër të kanalit në fletët e gërshërëve.
► **Fig.20:** 1. Leva

Për ta hequr mbledhësin e ashklave, shtypni levat për të liruar kapëset.

► **Fig.21:** 1. Leva

VINI RE: Asnjëherë mos provoni ta hiqni mbledhësin e ashklave duke ushtruar forcë të tepërt, me grepa të bllokuar në fletët e gërshërëve.

PËRDORIMI

▲ PARALAJMËRIM: Mbajni duart larg fletëve të gërshërëve.

▲ KUJDES: Shmangni përdorimin e veglës në mot shumë të nxehtë sa më shumë që të jetë e mundur. Tregoni kujdes për gjendjen tuaj fizike gjatë përdorimit të veglës.

▲ KUJDES: Bëni kujdes të mos prekni aksidentalisht ndonjë gardh metalik ose objekte të tjera të forta gjatë prerjes. Fletët e gërshërëve do të thyhen dhe mund të shkaktojnë lëndim.

▲ KUJDES: Kini kujdes të mos lejoni që fletët e gërshërëve të kontaktojnë me tokën. Vegla do të zbrapset dhe mund të shkaktojnë lëndim.

▲ KUJDES: Është shumë e rrezikshme të zgjateni me prerësin e shkurreve, veçanërisht nga një shkallë. Mos punoni ndërsa qëndroni në këmbë mbi ndonjë vend i lëvizshëm ose të paqëndrueshëm.

VINI RE: Mos provoni të prisni degë më të trasha se 10 mm në diametër me veglën. Pritini paraprakisht degët 10 cm më ulët se lartësia e prerjes duke përdorur prerëse degësh përpara se të përdorni veglën.

► **Fig.22:** (1) Lartësia e prerjes (2) 10 cm

VINI RE: Mos pritni pemë të thata ose objekte të ngjashme të forta. Duke vepruar kështu mund të dëmtoni veglën.

VINI RE: Mos pritni bar ose barishte gjatë përdorimit të fletëve të gërshërëve. Fletët e gërshërëve mund të ngecin nëpër bar ose barishte.

Mbajeni mjetin me të dyja duart, mbajeni dorezën e përparme ndërsa shtypni levën e çelësit dhe tërhiqni këmbëzën e çelësit, dhe më pas lëvizni veglën përpara.
► **Fig.23**

Për përdorim bazë, anoni fletët e gërshërëve në drejtimin e prerjes dhe lëvizni lehtë dhe ngadalë me shpejtësi prej 3 deri 4 sekondash për metër.

► **Fig.24**

Për të prerë majën e një shkurreje në mënyrë të njëtrajtshme, lidhni një fije në lartësinë e dëshiruar dhe prisni përgjatë saj.

► **Fig.25**

Nëse mbledhësi i ashklave bashkohet me fletët e gërshërëve, ai mbledh gjethet e hedhura dhe e bën pastrimin më pas shumë më të lehtë.

► **Fig.26**

Për ta prerë pjesën anësore të shkurreve në mënyrë të njëtrajtshme, pritni nga poshtë lart.

► **Fig.27**

Kur pritni për të bërë një formë të rumbullakët (prerja e drurit të bushit ose të rododendrës, etj.), prisni nga rrënjia deri lart për një paraqitje të bukur.

► **Fig.28**

MIRËMBAJTJA

▲ KUJDES: Sigurohuni gjithmonë që vegla të jetë fiker dhe të jetë hequr nga bateria përpara se të kryeni inspektimin apo mirëmbajtjen.

Për të ruajtur SIGURINË dhe QËNDRUESHMËRINË, riparimet dhe çdo mirëmbajtje apo rregullim tjetër duhen kryer nga qendrat e autorizuar të shërbimit ose të shërbimit të fabrikës të Makita-s, duke përdorur gjithnjë pjesë këmbimi të Makita-s.

Pastrimi i veglës

Pastrojeni veglën duke e fshirë tallashin me një leckë të thatë ose me një të njomur me ujë me sapun dhe të shtrydhur.

VINI RE: Mos përdorni kurrë benzinë, benzinë pastrimi, hollues, alkool dhe të ngjashme. Mund të shkaktoni çngjyrosje, deformime ose krisje.

Mirëmbajtja e fletës së gërshërëve

Përpara përdorimit ose një herë në orë gjatë përdorimit, aplikoni te fletët e gërshërëve vaj me viskozitet të ulët (vaj makinerie ose vaj lubrifikues të llojit me sprucim).

► **Fig.29**

Pas përdorimit, hiqni tallashin nga të dyja anët e fletëve të gërshërëve me furçë me tela, fshijeni me një leckë dhe më pas aplikoni te fletët e gërshërëve vaj me viskozitet të ulët (vaj makinerie ose vaj lubrifikues të llojit me sprucim).

► **Fig.30**

VINI RE: Mos i lani fletët e gërshërëve me ujë. Duke vepruar kështu mund të shkaktohet ndryshkje ose dëmtim i veglës.

VINI RE: Papastërtitë dhe gërryerja shkaktojnë fërkim të tepërt të fletës dhe shkurtojnë kohën e funksionimit për çdo karikim baterie.

Ruajtja

Vrima e grepit në pjesën e poshtme të veglës është e përshatshme për varjen e veglës te një gozhdë ose vidë në mur.

Vendosni kapakun e fletëve në fletët e gërshërëve në mënyrë që fletët të mos jenë të ekspozuara. Ruajeni veglën larg fëmijëve. Ruajeni veglën në vende që nuk janë të ekspozuara ndaj lagështirës dhe shiut.

► **Fig.31:** 1. Vrima

Konsumimi i fletëve të gërshërëve

VINI RE: Nëse fletët e gërshërëve janë të deformuara shumë nga konsumimi, ndërroni fletët e gërshërëve me të reja.

1. Instaloni kutinë e baterisë në vegël.
2. Ndizni dhe nisni veglën në mënyrë që fleta e sipërme dhe fleta e poshtme të pozicionohen në formë të alternuar.
► **Fig.32**
3. Fikeni veglën dhe hiqni kutinë e baterisë nga vegla.
4. Vendoseni këndin e limës në 35° dhe lëmoni fletën e sipërme nga 2 drejtime me limë.
► **Fig.33:** (1) Lima (2) 35°

▲KUJDES: Përpara lëmimit të fletëve të gërshërëve, sigurohuni që vegla të jetë e fikur dhe kutia e baterisë të jetë hequr nga vegla.

5. Vendoseni veglën me kokë poshtë, më pas hiqni ciflat nga fletët e gërshërëve me gurin e lëmimit.
► **Fig.34:** 1. Guri i lëmimit
6. Vendoseni këndin e limës në 35° dhe lëmoni fletën e poshtme nga 2 drejtime me limë.
7. Kthejeni veglën në pozicionin normal, më pas hiqni ciflat nga fletët e gërshërëve me gurin e lëmimit.

Lubrifikimi me graso

Intervali i lubrifikimit: Çdo 50 orë pune

1. Hiqni bulonin nga vrima për lubrifikim.
► **Fig.35:** 1. Buloni
2. Hiqni kapakun nga ena e grasos. Drejtoni daljen e enës së grasos me vrimën në kapak dhe më pas kthejeni enën e grasos për ta lidhur daljen e saj me vrimën.
► **Fig.36:** 1. Ena e grasos 2. Vrima
3. Aplikoni grason në vegël (rreth 3 g si udhëzim).
4. Hiqni enën e grasos.
5. Shtrengoni bulonin.

NDREQJA E DEFEKTEVE

Përpara se të kërkonti riparime bëni inspektimet tuaja. Nëse zbuloni ndonjë problem që nuk shpjegohet në manual, mos u mundoni të çmontoni veglën. Por për riparime drejtojueni Qendrave të Autorizuara të Shërbimit Makita, duke përdorur gjithmonë pjesë zëvendësuese Makita.

Gjendja anormale	Shkaku i mundshëm (keqfunksionimi)	Zgjidhja
Motori nuk punon.	Kutia e baterisë nuk është instaluar.	Instaloni kutinë e baterisë.
	Problem me baterinë (nën tension)	Rikarikoni baterinë. Nëse rikarikimi nuk është efikas, zëvendësoni baterinë.
	Sistemi i lëvizjes nuk funksionon mirë.	Kërkojini qendrës lokale të autorizuar të shërbimit që ta riparojë.
Motori ndali punën pas një përdorimi të vogël.	Niveli i karikimit të baterisë është i ulët.	Rikarikoni baterinë. Nëse rikarikimi nuk është efikas, zëvendësoni baterinë.
	Mbinxehja.	Ndaloni veglën që të ftohet.
Vegla nuk arrin RPM maksimale.	Bateria nuk është instaluar mirë.	Instaloni kutinë e baterisë siç përshkruhet në këtë manual.
	Fuqia e baterisë bie.	Rikarikoni baterinë. Nëse rikarikimi nuk është efikas, zëvendësoni baterinë.
	Sistemi i lëvizjes nuk funksionon mirë.	Kërkojini qendrës lokale të autorizuar të shërbimit që ta riparojë.
Fletët e gërshërëve nuk lëvizin: ⇒ ndalojeni menjëherë makinerinë!	Kanë ngecur objekte të huaja mes fletëve të gërshërëve.	Fikeni veglën dhe hiqni kutinë e baterisë, më pas hiqni objektet e huaja duke përdorur vegla të tilla si pincat.
	Sistemi i lëvizjes nuk funksionon mirë.	Kërkojini qendrës lokale të autorizuar të shërbimit që ta riparojë.
Dridhje jonormale: ⇒ ndalojeni menjëherë makinerinë!	Fletët e gërshërëve janë thyer, përthyer ose konsumuar.	Zëvendësoni fletët e gërshërës.
	Sistemi i lëvizjes nuk funksionon mirë.	Kërkojini qendrës lokale të autorizuar të shërbimit që ta riparojë.
Fletët e gërshërëve dhe motori nuk ndalojnë: ⇒ Hiqni menjëherë baterinë!	Keqfunksionim elektrik.	Hiqni baterinë dhe kërkojini qendrës lokale të autorizuar të shërbimit që ta riparojë.

AKSESORË OPSIONALË

⚠️KUJDES: Këta aksesorë ose shtojca rekomandohen për përdorim me veglën Makita të përcaktuar në këtë manual. Përdorimi i aksesorëve apo shtojcave të tjera ndryshe nga këto mund të përbëjë rrezik lëndimi. Aksesorët ose shtojcat përdorini vetëm për qëllimin e tyre të përcaktuar.

Nëse keni nevojë për më shumë të dhëna në lidhje me aksesorët, pyesni qendrën vendore të shërbimit të Makita-s.

- Grupi i fletëve të gërshërëve
- Kapaku i fletës së gërshërëve
- Mbledhësi i ashklave
- Ena e grasos
- Bateri dhe ngarkues origjinal Makita

SHËNIM: Disa artikuj të listës mund të përfshihen në paketën e veglës si aksesorë standardë. Ato mund të ndryshojnë nga njëri shtet në tjetrin.

СПЕЦИФИКАЦИИ

Модел:	DUH506	DUH606
Дължина на острието	500 мм	600 мм
Работни движения в минута	4 000 мин ⁻¹	
Обща дължина (Без батерия)	846 мм	965 мм
Номинално напрежение	Постоянно напрежение 18 V	
Нетно тегло	2,5 - 2,9 кг	2,7 - 3,0 кг

- Поради нашата непрекъсната научно-развойна дейност посочените тук спецификации могат да бъдат променени без предизвестие.
- Спецификациите може да са различни в различните държави.
- Теглото може да се различава в зависимост от принадлежността(ите), включително акумулаторната батерия. Най-леката и най-тежката комбинация в съответствие с процедурата на EPTA 01/2014 са показани в таблицата.

Приложима акумулаторна батерия и зарядно устройство

Акумулаторна батерия	BL1815N / BL1820B / BL1830B / BL1840B / BL1850B / BL1860B
Зарядно устройство	DC18RC / DC18RD / DC18RE / DC18SD / DC18SE / DC18SF / DC18SH / DC18WC

- Някои от акумулаторните батерии и зарядните устройства, посочени по-горе, може да не са налични в зависимост от региона на местоживеене.

▲ ПРЕДУПРЕЖДЕНИЕ: Използвайте само посочените по-горе акумулаторни батерии и зарядни устройства. Използването на други акумулаторни батерии и зарядни устройства може да причини нараняване и/или пожар.





Препоръчителен кабел за свързване към захранващ източник

Преносим захранващ модул	PDC01
--------------------------	-------

- Кабелът за свързване към захранващия(те) източник(ци), посочен(и) по-горе, може да не е наличен в зависимост от региона на местоживеене.
- Преди да използвате кабела за свързване към захранващ източник, прочетете инструкциите и предупредителните надписи, поставени на изделията.

СИМВОЛИ

По-долу са описани символите, които може да се използват за тази машина. Задължително е да се запознаете с техните значения, преди да пристъпите към работа.

	Прочетете ръководството за експлоатация.
	Използвайте предпазни средства за очите.
	ОПАСНОСТ - Дръжте ръцете си далеч от острието.
	Да не се излага на въздействието на влага.



Само за страни от ЕС
 Поради наличието на опасни компоненти в оборудването отпадъците от електрическо и електронно оборудване, акумулатори и батерии може да имат отрицателно въздействие върху околната среда и човешкото здраве. Не изхвърляйте електрически и електронни уреди или батерии с битовите отпадъци!
 Съгласно Европейската директива за отпадъците от електрическо и електронно оборудване и акумулатори и батерии и нейното адаптиране към националното законодателство, отпадъците от електрическо и електронно оборудване, батерии и акумулатори трябва да се събират отделно и да се доставят до отделен събирателен пункт за отпадъци, функциониращ съгласно наредбите за опазване на околната среда.
 Това е указано чрез символ на зачертана с кръст кофа на колелца, поставен върху оборудването.



Гарантирано ниво на звукова мощност съгласно директивата на ЕС за шумовите емисии на съоръжения, предназначени за употреба извън сградите.



Ниво на звукова мощност съгласно Регламента за управление на шума на Нов Южен Уелс, Австралия

Предназначение

Инструментът е предназначен за подрязване хрсти.

Шум

Приложим стандарт : EN62841-4-2

Модел	Ниво на звуково налягане		Ниво на звукова мощност	
	L_{pA} (dB(A))	Коефициент на неопределеност K (dB (A))	L_{WA} (dB(A))	Коефициент на неопределеност K (dB (A))
DUH506	77	3	88	3
DUH606	79	3	90	3

ЗАБЕЛЕЖКА: Обявената(ите) стойност(и) на шумовите емисии e (са) измерена(и) в съответствие със стандартни методи за изпитване и може да се използва(т) за сравняване на инструменти.

ЗАБЕЛЕЖКА: Обявеното(ите) стойност(и) на шумови емисии може да се използва(т) също и за предварителна оценка на вредното въздействие.

⚠ ПРЕДУПРЕЖДЕНИЕ: Използвайте предпазни средства за слуха.

⚠ ПРЕДУПРЕЖДЕНИЕ: Нивото на шума при работа с електрическия инструмент може да се различава от обявената(ите) стойност(и) в зависимост от начина на използване на инструмента, по-специално какъв детайл се обработва.

⚠ ПРЕДУПРЕЖДЕНИЕ: Задължително определете предпазни мерки за защита на оператора въз основа на оценка на риска в реални работни условия (като се вземат предвид всички етапи на работния цикъл, като например момента на изключване на инструмента, работата на празен ход, както и времето на задействане).

Вибрации

Общата стойност на вибрациите (сума от три осови вектора), определена съгласно EN62841-4-2:

Модел	Предна ръкохватка		Задна ръкохватка	
	a_h (m/s^2)	Коефициент на неопределеност K (m/s^2)	a_h (m/s^2)	Коефициент на неопределеност K (m/s^2)
DUH506	2,5 m/s^2 или по-малко	1,5	2,5 m/s^2 или по-малко	1,5
DUH606	2,5 m/s^2 или по-малко	1,5	2,5 m/s^2 или по-малко	1,5

ЗАБЕЛЕЖКА: Обявената(ите) обща(и) стойност(и) на вибрациите e (са) измерена(и) в съответствие със стандартни методи за изпитване и може да се използва(т) за сравняване на инструменти.

ЗАБЕЛЕЖКА: Обявената(ите) обща(и) стойност(и) на вибрациите може да се използва(т) също и за предварителна оценка на вредното въздействие.

⚠ ПРЕДУПРЕЖДЕНИЕ: Нивото на вибрациите при работа с електрическия инструмент може да се различава от обявената(ите) стойност(и) в зависимост от начина на използване на инструмента, по-специално какъв детайл се обработва.

⚠ ПРЕДУПРЕЖДЕНИЕ: Задължително определете предпазни мерки за защита на оператора въз основа на оценка на риска в реални работни условия (като се вземат предвид всички етапи на работния цикъл, като например момента на изключване на инструмента, работата на празен ход, както и времето на задействане).

ЕО декларация за съответствие

Само за европейските страни

ЕО декларацията за съответствие е включена като Анекс А към тази инструкция за употреба.

ПРЕДУПРЕЖДЕНИЯ ЗА БЕЗОПАСНОСТ

Общи предупреждения за безопасност при работа с електрически инструменти

▲ ПРЕДУПРЕЖДЕНИЕ: Прочетете всички предупреждения, инструкции, илюстрации и спецификации за безопасността, предоставени с този електрически инструмент. При неспазване на изброените по-долу инструкции има опасност от токов удар, пожар и/или тежко нараняване.

Запазете всички предупреждения и инструкции за справка в бъдеще.

Терминът "електрически инструмент" в предупрежденията се отнася за вашия инструмент (с кабел за включване в мрежата) или работещ на батерии (безжичен) електрически инструмент.

Предупреждения за безопасна работа с акумулаторен хросторез

1. По време на работа дръжте всички части на тялото си далеч от ножа. Не правете опити да чистите отрязания материал или задържате материал, който трябва да бъде отрязан, докато режещите инструменти са в движение. Ножовете продължават да се движат и след изключването на прекъсвача. Един миг на невнимание по време на работа с хросторез може да доведе до сериозни наранявания.
2. Пренасяйте хростореза, като го държите за дръжката със спрян нож и внимавайте да не задействате който и да е превключвател на захранването. Правилното пренасяне на хростореза ще намали риска от неволно стартиране и получаването в резултат на това телесно нараняване от ножовете.
3. При транспортиране или съхраняване на хростореза винаги поставяйте капака на ножа. Правилното държане на хростореза ще намали риска от телесно нараняване от ножовете.
4. Когато почиствате заседнал материал или обслужвате инструмента, уверете се, че всички превключватели на захранването са изключени и батерията е извадена или разкачена. Неочакваното задействане на хростореза по време на почистване на заседнал материал или обслужване може да доведе до сериозно телесно нараняване.
5. Дръжте хростореза единствено за изолираните повърхности за хващане, защото има опасност ножът да влезе в контакт със скрити кабели. Ако ножовете докоснат проводник под напрежение, токът може да премине през металните части на хростореза и да подложи работещия на токов удар.

6. Всички захранващи и други кабели трябва да бъдат извън зоната на рязане. Захранващите и други кабели може да бъдат скрити в живия плет и хростите и е възможно да бъдат срязани неволно от ножа.
7. Не използвайте хростореза при лоши атмосферни условия, особено когато има риск от светкавици. Това намалява риска да бъдете ударени от светкавица.
8. Когато предавате хростореза на друго лице, поставете го на земята и той може да бъде взет едва след като напълно свалите ръката си от него. При предаването на хростореза на ръка се получава едновременно задържане на предната и на задната дръжка, след което той се включва неволно. Неволното включване може да причини сериозно нараняване.

Допълнителни инструкции за безопасност

Подготовка

1. Преди да работите с инструмента, проверете живия плет и хростите за наличие на чужди предмети, например телени огради или скрити кабели.
2. С инструмента не трябва да работят деца и младежи под 18-годишна възраст. Младежи над 16-годишна възраст може да бъдат освободени от това ограничение, ако преминават обучение под надзора на специалист.
3. Потребители, които ще използват инструмента за първи път, трябва първоначално да бъдат обучени за работа с инструмента от опитен потребител.
4. Използвайте инструмента само ако сте в добро физическо състояние. Ако сте уморени, вниманието Ви е намалено. Бъдете особено внимателни в края на работния ден. Изпълнявайте всички работни дейности спокойно и внимателно. Потребителят носи отговорност за всички щети, нанесени на трети страни.
5. Никога не работете с инструмента, когато сте под влиянието на алкохол, наркотици или лекарства.
6. Работните ръкавици от здрава кожа са неотменима част от базовото оборудване на инструмента и трябва винаги да бъдат носени при работа с него. Необходимо е да се носят и здрави обувки с подметки, осигуряващи добро сцепление.
7. Преди започване на работа проверете дали инструментът е в добро и безопасно работно състояние. Уверете се, че предпазителите са правилно поставени. Инструментът не трябва да се използва, освен ако не е напълно слобен.

Работа

1. По време на работа дръжте здраво инструмента с две ръце.
2. Инструментът е предназначен за използване от оператор, стъпил на земята. Не използвайте инструмента, докато сте стъпили на стълби или други нестабилни опори.

3. **ОПАСНОСТ - Дръжте ръцете далеч от диска.** Допирът до диска ще доведе до сериозни наранявания.
4. **Не използвайте инструмента в дъжд или при много мокри или влажни условия.** Електромоторът не е водоустойчив.
5. **Преди започване на работа се уверете, че сте застанали в стабилна работна стойка.**
6. **Не оставяйте инструмента да работи излишно на празен ход.**
7. **При контакт на остриетата с ограда или друг твърд обект незабавно изключете инструмента и извадете акумулаторната батерия.** Проверете ножовете за повреди и ако са повредени, ги заменете незабавно.
8. **Преди проверка на остриетата, поправка на повреди или почистване на задърстен материал в остриетата, винаги изключвайте инструмента и изваждайте акумулаторната батерия.**
9. **Никога не насочвайте остриетата на ножа към себе си или към други хора.**
10. **Ако дисконите спрат да се движат поради заклещаване на чужди предмети между тях по време на работа, изключете инструмента и извадете акумулаторната батерия, след което извадете чуждите предмети посредством инструменти, например клещи.** Изваждането на чуждите предмети с ръка може да доведе до нараняване, тъй като дисконите може да се задвижат при изваждането на чуждите предмети.
2. **При пренасяне на инструмента на друго място, включително и по време на работа, винаги изваждайте акумулаторната батерия и поставяйте капака върху остриетата на ножа. Не носете и не транспортирайте инструмента, когато ножовете се движат. Никога не докосвайте ножовете с ръце.**
3. **Почиствайте инструмента и особено остриетата след употреба и преди съхраняване на инструмента за продължителни периоди от време. Леко смажете с масло ножовете и поставете капака на ножа.**
4. **Съхранявайте инструмента с поставен капак на ножовете в сухо помещение. Съхранявайте го на недостъпно за деца място. Никога не съхранявайте инструмента на открито.**
5. **Не изхвърляйте акумулаторната(ите) батерия(и) в огън. Клетките на батерията могат да експлодират. Проверете местните разпоредби за евентуални специални инструкции за унищожаване.**
6. **Не отваряйте или повреждайте акумулаторната батерия(и). Изтичащият електролит има разяждащо действие и може да увреди очите или кожата. Може да бъде токсичен при поглъщане.**
7. **Не зареждайте батерията под дъжд или на влажни места.**

Безопасност при работа с електрически ток и акумулаторната батерия

1. **Избягвайте опасни среди. Инструментът да не се използва във влажни или мокри участъци и да не се излага на дъжд.** Попадналата в инструмента вода увеличава риска от токов удар.
2. **Не изхвърляйте акумулаторната(ите) батерия(и) в огън.** Клетките на батерията могат да експлодират. Проверете местните разпоредби за евентуални специални инструкции за унищожаване.
3. **Не отваряйте или повреждайте акумулаторната батерия(и).** Изтичащият електролит има разяждащо действие и може да увреди очите или кожата. Може да бъде токсичен при поглъщане.
4. **Не зареждайте батерията под дъжд или на влажни места.**
5. **Не зареждайте акумулаторната батерия на открито.**
6. **Не хващайте зарядното устройство, включително щепсела и изводите му, с мокри ръце.**

Техническа поддръжка и съхранение

1. **Изключете инструмента и извадете акумулаторната батерия преди извършване на операции по поддръжката.**

ЗАПАЗТЕ НАСТОЯЩИТЕ ИНСТРУКЦИИ.

▲ПРЕДУПРЕЖДЕНИЕ: НЕ позволявайте комфорта от познаването на продукта (придобит при дългата му употреба) да замени стриктното спазване на правилата за безопасност за въпросния продукт. **НЕПРАВИЛНАТА УПОТРЕБА** и неспазването на правилата за безопасност, посочени в настоящото ръководство за експлоатация, може да доведе до тежки наранявания.

Важни инструкции за безопасност за акумулаторната батерия

1. **Преди да използвате акумулаторната батерия, прочетете всички инструкции и предупредителни маркировки на (1) зарядното устройство за батериите, (2) за батериите и (3) за използващия батериите продукт.**
2. **Не разгласявайте и не променяйте акумулаторната батерия.** Това може да предизвика пожар, прегряване или взрив.
3. **Ако мощността на машината намалее много, веднага спрете да работите.** Това може да доведе до риск от прегряване, до възможни изгаряния и даже до експлозии.
4. **Ако в очите ви попадне електролит, изплакнете ги с чиста вода и веднага потърсете лекарска помощ.** Това може да доведе до загуба на зрението ви.

5. **Не давайте на късо акумулаторните батерии:**
 - (1) **Не докосвайте клемите с проводими материали.**
 - (2) **Избягвайте съхраняването на акумулаторните батерии в контейнер с други метални предмети като пирони, монети и други подобни.**
 - (3) **Не излагайте акумулаторните батерии на вода или дъжд.**

Закъсяването на акумулаторна батерия може да доведе до протичане на много силен ток, до прегряване, до възможни изгаряния и даже до разпадане на батерията.
6. **Не съхранявайте и не използвайте инструмента и акумулаторните батерии на места, където температурата може да достигне или надмине 50 °C (122 °F).**
7. **Не изгаряйте акумулаторните батерии даже и ако те са сериозно повредени или напълно износени. Акумулаторната батерия може да експлодира в огън.**
8. **Не забивайте пирони, не режете, не смачквайте, не хвърляйте, не изпускате и не удряйте в твърд предмет акумулаторната батерия. Това поведение може да предизвика пожар, прегряване или взрив.**
9. **Не използвайте повредени акумулаторни батерии.**
10. **Съдържащите се литиево-йонни акумулаторни батерии са обект на изискванията на законодателството за опасни стоки.**

При търговски превози, напр. от трети страни, спедитори, трябва да се спазват специални изисквания за опаковане и етикетирание. За подготовка на артикула, който трябва да бъде изпратен, е необходима консултация с експерт по опасните материали. Моля, спазвайте и евентуално по-подробните национални разпоредби.

Залепете с лента или покрийте откритите контакти и опаковайте акумулаторната батерия по такъв начин, че да не може да се премества в опаковката.
11. **При изхвърляне на акумулаторната батерия я извадете от инструмента и я изхвърлете на подходящо място. Спазвайте местните разпоредби за изхвърляне на акумулаторни батерии.**
12. **Използвайте батериите само с продуктите, определени от Makita. Поставянето на батериите към неодобрени продукти може да предизвика пожар, прегряване, взрив или изтичане на електролит.**
13. **Ако инструментът няма да се използва продължително време, батерията трябва да се извади от него.**
14. **По време на и след употреба акумулаторната батерия може да поеме топлина, която може да причини изгаряния или нискотемпературни изгаряния. Внимавайте, когато боравите с горещите акумулаторни батерии.**
15. **Не докосвайте клемата на инструмента веднага след употреба, тъй като е възможно да е достатъчно нагрята, за да предизвика изгаряния.**
16. **Не позволявайте стружки, прах или почва да полепват по клемите, отворите и каналите на акумулаторната батерия. Това може да причини загаряване, възникване на пожар, избухване и повреда на инструмента или акумулаторната батерия, което да доведе до изгаряния или телесни наранявания.**
17. **Освен ако инструментът поддържа използването в близост до високоволтови електропроводи, не използвайте акумулаторната батерия близо до високоволтови електропроводи. Това може да доведе до неизправност или повреда на инструмента или акумулаторната батерия.**
18. **Пазете батерията от деца.**

ЗАПАЗЕТЕ НАСТОЯЩИТЕ ИНСТРУКЦИИ.

▲ВНИМАНИЕ: Използвайте само оригинални акумулаторни батерии на Makita. При използване на различни от акумулаторните батерии на Makita или стари акумулаторни батерии може да се получи пръскане на акумулаторната батерия, което да доведе до пожар, нараняване или повреда. Това също ще анулира гаранцията на Makita за инструмента и зарядното устройство Makita.

Съвети за поддържане на максимално дълъг живот на акумулаторните батерии

1. **Зареждайте акумулаторните батерии, преди те да са се разредили напълно. Когато забележите, че мощността на инструмента намалява, винаги спирайте работата с инструмента и заредете акумулаторната батерия.**
2. **Никога не презареждайте напълно заредена акумулаторна батерия. Презарядът скъсява експлоатационния живот на батерията.**
3. **Зареждайте акумулаторната батерия при стайна температура от 10 °C – 40 °C (50 °F – 104 °F). Оставете загрейте акумулаторни батерии да се охладят, преди да ги зареждате.**
4. **Когато не използвате акумулаторната батерия, извадете я от инструмента или зарядното устройство.**
5. **Заредете акумулаторната батерия, ако не сте го използвали дълъг период от време (повече от шест месеца).**

ОПИСАНИЕ НА ФУНКЦИИТЕ

⚠ ВНИМАНИЕ: Винаги проверявайте дали инструментът е изключен и касетата с акумулаторната батерия е извадена, преди да регулирате или проверявате дадена функция на инструмента.

Поставяне и изваждане на акумулаторната батерия

⚠ ВНИМАНИЕ: Винаги изключвайте инструмента преди поставяне или изваждане на акумулаторната батерия.

⚠ ВНИМАНИЕ: Когато инсталирате или изваждате акумулаторната батерия, дръжте здраво инструмента и акумулаторната батерия. Ако не държите здраво инструмента и акумулаторната батерия, те могат да се изплъзнат от ръцете ви и да доведат до повреждане на инструмента и акумулаторната батерия или нараняване.

► **Фиг.1:** 1. Червен индикатор 2. Бутон 3. Акумулаторна батерия

За да извадите акумулаторната батерия, я плъзнете извън инструмента, плъзгайки същевременно бутон в предната част на акумулаторната батерия.

За да поставите акумулаторната батерия, изравнете езиците на акумулаторната батерия с жлеба в корпуса и го плъзнете на мястото му. Придвижвайте я по протежението на жлеба, докато не се намести с леко щракване. В случай че виждате червения индикатор, както е показано на фигурата, тя не е фиксирана напълно на мястото си.

⚠ ВНИМАНИЕ: Винаги вмъквайте акумулаторната батерия докрай, така че червеният индикатор да се скрие. В противен случай тя може неволно да изпадне от инструмента, което може да нарани вас или някого около вас.

⚠ ВНИМАНИЕ: Не инсталирайте акумулаторната батерия със сила. Ако батерията не се движи свободно, тя не е била поставена правилно.

Индикация на оставащия капацитет на акумулаторната батерия

Само за акумулаторни батерии с индикатор

► **Фиг.2:** 1. Светлинни индикатори 2. Бутон за проверка

Натиснете бутон за проверка на акумулаторната батерия за показване на оставащия заряд на батерията. Светлинните индикатори ще светнат за няколко секунди.

Светлинни индикатори			Оставащ заряд на батерията
Свети	Изкл.	Мига	
			75% до 100%
			50% до 75%
			25% до 50%
			0% до 25%
			Заредете батерията.
			Батерията може да не работи правилно.

ЗАБЕЛЕЖКА: В зависимост от условията на употреба и околната температура е възможно показанията леко да се различават от действителния капацитет.

ЗАБЕЛЕЖКА: Първият (краен ляв) светлинен индикатор ще мига, когато системата за защита на батерията функционира.

Система за защита на инструмента / акумулаторната батерия

БЕЛЕЖКА: В зависимост от условията на употреба инструментът автоматично спира без каквато и да е индикация, ако в инструмента се заплетат клони или отпадъци. В такъв случай изключете инструмента и извадете акумулаторната батерия, след което отстранете заплетените клони или отпадъци, като използвате например клещи. След отстраняване на клоните или отпадъците, поставете акумулаторната батерия и включете отново инструмента.

Инструментът е оборудван със система за защита на инструмента/акумулаторната батерия. Тази система автоматично прекъсва захранването към електромотора, за да осигури по-дълъг живот на инструмента и акумулаторната батерия. Инструментът ще спре автоматично по време на работа, ако инструментът или батерията се намират в едно от следните условия:

Защита срещу претоварване

Когато инструментът или батерията се използва по начин, който води до необичайно висока консумация на ток, инструментът спира автоматично. В такъв случай изключете инструмента и прекратете използването му по начина, който го претоварва. След това включете инструмента за повторно стартиране.

Защита срещу прегряване

Когато инструментът или акумулаторната батерия прегреят, инструментът спира автоматично. В този случай оставете инструмента и акумулаторната батерия да изстинат, преди да включите инструмента отново.

Защита срещу прекомерно разреждане

Когато капацитетът на акумулаторната батерия не е достатъчен, инструментът спира автоматично. В този случай извадете батерията от инструмента и я заредете.

Защити срещу други причини

Предпазната система е предназначена и за други причини, които може да повредят инструмента, и позволява автоматичното спиране на инструмента. Изпълнете всички следващи стъпки, за да отстраните причините, когато инструментът е прекъснал временно или спре по време на работа.

1. Изключете инструмента и след това отново го включете.
2. Заредете батерията(ите) или я/ги заменете със заредена(и) батерия(и).
3. Оставете машината и батерията(ите) да изстинат.

Ако не бъде постигнато подобрение чрез връщане на предпазната система в изходно положение, се свържете с местния сервизен център на Makita.

БЕЛЕЖКА: Ако инструментът спре поради причина, която не е описана по-горе, вижте раздела за отстраняване на неизправности.

Включване

⚠ ПРЕДУПРЕЖДЕНИЕ: За ваша безопасност този инструмент е оборудван с лоста на прекъсвач, който предотвратява неволното включване на инструмента. НИКОГА не използвайте инструмента, ако той се включва, когато просто натиснете пусковия прекъсвач, без да сте натиснали лоста на прекъсвача. Отнесете инструмента в упълномощен сервизен център за ремонт ПРЕДИ по-нататъшна употреба.

⚠ ПРЕДУПРЕЖДЕНИЕ: НИКОГА не залепвайте с лента и не елиминирайте предназначението и функцията на лоста на прекъсвача.

⚠ ПРЕДУПРЕЖДЕНИЕ: Преди да поставите акумулаторната батерия в инструмента, винаги проверявайте дали пусковият прекъсвач и лостът на прекъсвача работят нормално и се връщат в положение „OFF“ (ИЗКЛ.) при освобождаването им. Работа с инструмент с прекъсвач, който не функционира правилно, може да доведе до загуба на контрол и до сериозно телесно нараняване.

⚠ ВНИМАНИЕ: Никога не дръжте пръста си на ключа, когато носите инструмента. Инструментът може да се включи неволно и да причини нараняване.

За да включите инструмента, хванете предната дръжка, докато натискате лоста на прекъсвача, и натиснете пусковия прекъсвач. За да спрете инструмента, освободете пусковия прекъсвач или лоста на прекъсвача.

- **Фиг.3:** 1. Предна ръкохватка 2. Пусков лост
3. Пусков прекъсвач

Светлинен индикатор

► **Фиг.4:** 1. Светлинен индикатор

Светлинният индикатор мига или светва, когато капацитетът на батерията намалее или инструментът е претоварен. Направете справка в таблицата по-долу за състоянието и за действието, което трябва да се предприеме.

Светлинен индикатор	Състояние	Действие, което трябва да бъде предприето
Светлинният индикатор мига в червено.	Оставащият капацитет на батерията е нисък.	Заредете батерията или я сменете със заредена.
Светлинният индикатор светва в червено.	Оставащият капацитет на батерията е изчерпан.	Заредете батерията или я сменете със заредена.
	Инструментът е спрял поради претоварване.	Изключете инструмента и отстранете причината за претоварването.
	Инструментът е спрял поради прегряване.	Изключете инструмента и охладете него и батерията.

ЗАБЕЛЕЖКА: Времето, в което светлинният индикатор мига или светва, варира в зависимост от температурата в работния участък и състоянието на акумулаторната батерия.

Електронна функция

За лесно управление инструментът е оборудван с електронни функции.

- Управление за постоянни обороти
Функцията за управление на оборотите гарантира постоянна скорост на въртене, независимо от натоварването.
- Електрическа спирачка
Този инструмент е оборудван с електрическа спирачка. Ако инструментът неколкократно не успява да спре бързо режещите остриета след освобождаване на пусковия прекъсвач, занесете инструмента за извършване на техническо обслужване в упълномощен сервизен център на Makita.
- Функция за предотвратяване на случайното включване
Дори акумулаторната батерия да се постави при задействан пусков прекъсвач, инструментът няма да започне работа. За да включите инструмента, първо освободете пусковия прекъсвач и след това го натиснете.

СГЛОБЯВАНЕ

⚠ВНИМАНИЕ: Преди да извършите някакви дейности по инструмента, задължително проверете дали той е изключен и акумулаторната батерия е извадена.

⚠ВНИМАНИЕ: Когато сменяте остриетата на ножа, винаги носете ръкавици, за да избегнете пряк контакт на ръцете си с режещите ръбове.

БЕЛЕЖКА: Когато сменяте режещите остриета, не изчиствайте тревата от предавката и ексцентрика.

Монтиране или демониране на остриетата на ножа

⚠ВНИМАНИЕ: Монтирайте капака на острието преди демонтаж или монтаж на режещите остриета.

Към вашия инструмент можете да монтирате режещите остриета 500 мм или 600 мм.

1. Поставете капака на острието на режещите остриета.
▶ **Фиг.5:** 1. Капак на ножа

2. Поставете инструмента с горната страна надолу, след това свалете 6 болта и след това свалете капака и планката.
▶ **Фиг.6:** 1. Болт 2. Капак 3. Планка

ЗАБЕЛЕЖКА: Планката може да остане в капака.

3. С помощта на плоската отвертка завъртете ексцентрика така, че 2-та отвора да са перпендикулярни спрямо режещите остриета.
▶ **Фиг.7:** 1. Ексцентрик 2. Отвор

4. Свалете 2-та болта, филцовата подложка и пръстените, и след това свалете режещите остриета.
▶ **Фиг.8:** 1. Филцова подложка 2. Болт 3. Пръстен 4. Остриета на ножа

5. Свалете капака на режещите остриета и след това го прикрепете към новите.
▶ **Фиг.9:** 1. Капак на ножа

6. Подравнете задните ръбове на остриетата на ножа, както е показано на фигурата.
▶ **Фиг.10:** 1. Заден ръб

7. Плъзнете леко остриетата на ножа, както е показано на фигурата, и след това прикрепете към тях втулките.
▶ **Фиг.11:** 1. Пръстен

8. Плъзнете леко предпазителя към върха на остриетата на ножа и след това ги прикрепете към инструмента.
▶ **Фиг.12:** 1. Остриета на ножа

БЕЛЕЖКА: Нанесете малко количество смазка по вътрешната периферия на отвора на остриетата на ножа.

БЕЛЕЖКА: Внимавайте да не загубите втулките.

9. Плъзнете остриетата на ножа и втулките така, че отворите на втулките да се подравнят с отворите на инструмента.
▶ **Фиг.13:** 1. Отвор на инструмента 2. Отвор на втулката

10. Затегнете болтовете, за да закрепите остриетата на ножа.
▶ **Фиг.14:** 1. Болт

11. Поставете филцовата подложка към остриетата на ножа.
▶ **Фиг.15:** 1. Филцова подложка

12. Закрепете планката.
▶ **Фиг.16:** 1. Планка

13. Закрепете капака и затегнете 6-те болта.
▶ **Фиг.17:** 1. Болт 2. Капак

БЕЛЕЖКА: Ако остриетата на ножа не се движат плавно, те не са зацепени правилно към ексцентрика. Монтирайте отново остриетата.

БЕЛЕЖКА: Ако се изнасят други части, различни от остриетата на ножа, например ексцентрикът, попитайте в оторизираните сервизни центрове на Makita за резервни части или ремонт.

Монтиране или демониране на колектора за изрезки

Допълнителна принадлежност

⚠ВНИМАНИЕ: Когато монтирате или демонтирате колектора за изрезки, винаги носете ръкавици, за да избегнете пряк контакт на ръцете си с режещите ръбове.

БЕЛЕЖКА: Капакът на ножа не може да се монтира, ако колекторът за изрезки е монтиран към инструмента. Преди да пренасяте или прибирате за съхранение инструмента, демантирайте колектора за изрезки, след което монтирайте капака на ножа, за да не остане ножът незащитен.

БЕЛЕЖКА: Демантирайте капака на ножа, преди да монтирате колектора за изрезки.

Колекторът за изрезки събира отрязаните листа и прави почистването след това много по-лесно. Може да се монтира от всяка страна на инструмента.

1. Подравнете отворите, които се намират на колектора за изрезки, с винтовете на режещите остриета.
▶ **Фиг.18:** 1. Винт

2. Закачете палците на колектора за изрезки в канала на режещите остриета.
▶ **Фиг.19:** 1. Палец 2. Канал

3. Натиснете лостовите на колектора за изрезки и след това закачете палците от другата страна на канала на режещите остриета.
▶ **Фиг.20:** 1. Лост

За демониране на колектора за изрезки натиснете лостовите, за да освободите палците.

▶ **Фиг.21:** 1. Лост

БЕЛЕЖКА: Никога не се опитвайте да демантирате колектора за изрезки с прилагане на прекомерна сила, когато куките му са фиксирани към режещите остриета.

Експлоатация

▲ ПРЕДУПРЕЖДЕНИЕ: Дръжте ръцете си далеч от остриетата на ножа.

▲ ВНИМАНИЕ: Доколкото е възможно, избягвайте работа с инструмента при много горещо време. При работа с инструмента обръщайте внимание на вашето физическо състояние.

▲ ВНИМАНИЕ: По време на подрязване внимавайте да не влезете в случаен контакт с метална ограда или други твърди обекти. Остриетата на ножа може да се счупят и да причинят нараняване.

▲ ВНИМАНИЕ: Не допускайте режещите остриета да влизат в контакт със земята. Инструментът може да отскочи и да причини нараняване.

▲ ВНИМАНИЕ: Прекомерното протягане с хростореза, особено от стълба, е изключително опасно. Не работете, застанали върху платформа, която се клати или е нестабилна.

БЕЛЕЖКА: Не опитвайте да режете клони с инструмента, които са по-дебели от 10 мм в диаметър. Преди да използвате инструмента, предварително подрежете клоните на 10 см под височината на рязане с резачките за клони.

► Фиг.22: (1) Височина на рязане (2) 10 см

БЕЛЕЖКА: Не отрязвайте мъртви дървета или подобни твърди обекти. Това може да повреди инструмента.

БЕЛЕЖКА: Не подрязвайте трева и плевели, използвайки остриетата на ножа. Остриетата на ножа може да се заплетат в тревата или плевелите.

Дръжте инструмента с двете си ръце, хванете предната ръкохватка, докато натискате лоста на прекъсвача, натиснете пусковия прекъсвач и придвижете инструмента напред.

► Фиг.23

За основна операция наклонете остриетата на ножа по посока на подрязването и внимателно и бавно го движете напред със скорост от 3 до 4 секунди на метър.

► Фиг.24

За да подкастрире върха на храста равно, вържете връв на желаната височина и подрязвайте по нея.

► Фиг.25

Ако колекторът за изрезки е монтиран към остриетата на ножа, той събира отрязаните листа и прави почистването след това много по-лесно.

► Фиг.26

За равно рязане на страните на живия плет, режете от долу нагоре.

► Фиг.27

Когато при подрязването искате да получите кръгла форма (подрязване на чешпир, рододендрон и др.), подрязвайте от корена към върха, за да се получи красив завършек.

► Фиг.28

ПОДДРЪЖКА

▲ ВНИМАНИЕ: Преди да проверявате или извършвате поддръжка на инструмента, се уверете, че той е изключен и акумулаторната батерия е извадена.

За да се поддържа БЕЗОПАСНОСТТА и НАДЕЖНОСТТА на продукта, ремонтите, поддръжката или регулирането трябва да се извършват от упълномощен сервиз или фабрични сервизни центрове на Makita, като винаги трябва да използвате резервни части от Makita.

Почистване на инструмента

Почистете инструмента, като избършете праха със суха кърпа или кърпа, напоена с вода и миеш препарат и изстискана.

БЕЛЕЖКА: Не използвайте бензин, нафта, разредител, спирт и др. подобни. Това може да причини обезцветяване, деформация или пукнатини.

Поддръжка на остриетата на ножа

Преди да пристъпите към работа или веднъж на час по време на работа, нанесете нисковискозитетно масло (машинно масло или смазочно масло във вид на спрей) върху остриетата на ножа.

► Фиг.29

След работа отстранете праха от двете страни на остриетата на ножа с телена четка, забършете ги с кърпа и след това нанесете нисковискозитетно масло (машинно масло или смазочно масло във вид на спрей) върху остриетата на ножа.

► Фиг.30

БЕЛЕЖКА: Не мийте остриетата на ножа с вода. Това може да доведе до образуване на ръжда или повреждане на инструмента.

БЕЛЕЖКА: Замърсяванията и корозията предизвикват прекомерно триене на острието и скъсяват времето за работа с едно зареждане на батерията.

Съхранение

Отворът за кука от долната страна на инструмента е удобен за окачване на инструмента на пирон или винт на стената.

Поставете капака за острието така, че режещите остриета да не са открити. Съхранявайте инструмента извън обсега на деца. Съхранявайте инструмента на място, което не е изложено на влага или дъжд.

► Фиг.31: 1. Отвор

Заточване на остриетата на ножа

БЕЛЕЖКА: Ако остриетата на ножа са значително деформирани от заточването, сменете ги с нови.

1. Монтирайте акумулаторната батерия към инструмента.
2. Включете и стартирайте инструмента така, че горното и долното острие да се позиционират последователно.
▶ Фиг.32
3. Изключете инструмента и извадете акумулаторната батерия от инструмента.
4. Настройте ъгъла на пилата на 35° и с нея заточете горното острие от 2 посоки.
▶ Фиг.33: (1) Пила (2) 35°

ВНИМАНИЕ: Преди заточване на остриетата на ножа, винаги проверявайте дали инструментът е изключен и акумулаторната батерия е извадена от него.

5. Поставете инструмента с горната част надолу, след което отстранете стружките от остриетата на ножа с помощта на шлифовъчния камък за заточване.
▶ Фиг.34: 1. Шлифовъчен камък за заточване
6. Настройте ъгъла на пилата на 35° и с нея заточете долното острие от 2 посоки.
7. Върнете инструмента в нормално положение и отстранете стружките от остриетата на ножа с помощта на шлифовъчния камък за заточване.

Смазване със смазка

Интервал на смазване: На всеки 50 работни часа

1. Отстранете болта от отвора за смазване.
▶ Фиг.35: 1. Болт
2. Свалете капачката от съда със смазка. Подравнете отвора на съда със смазка с този на капака, след което завъртете съда със смазка, за да закрепите изхода му към отвора.
▶ Фиг.36: 1. Съд със смазка 2. Отвор
3. Нанесете смазка към инструмента (Приблизително 3 г).
4. Отстранете съда със смазка.
5. Затегнете болта.

ОТСТРАНЯВАНЕ НА НЕИЗПРАВНОСТИ

Преди да заявите ремонт, сами извършете проверка. Ако установите проблем, който не е обяснен в ръководството, не се опитвайте да разглобявате инструмента. Вместо това го занесете в някой от оторизирани сервиси на Makita, които винаги използват за ремонтите резервни части от Makita.

Състояние на неизправност	Възможно причина (неизправност)	Мерки за отстраняване
Двигателят не работи.	Не е инсталирана акумулаторна батерия.	Инсталирайте акумулаторната батерия.
	Проблем с батерията (ниско напрежение)	Заредете акумулаторната батерия. Ако зареждането не е ефективно, сменете акумулаторната батерия.
	Задвижващата система не работи нормално.	Обърнете се към местния упълномощен сервис за извършване на ремонт.
След кратко използване, двигателят спира да работи.	Нивото на заряда на акумулатора е ниско.	Заредете акумулаторната батерия. Ако зареждането не е ефективно, сменете акумулаторната батерия.
	Прегряване.	Спрете работата с уреда, за да може той да се охлади.
Инструментът не може да достигне максималните обороти.	Акумулаторната батерия е инсталирана неправилно.	Поставете акумулаторната батерия, както е описано в настоящото ръководство.
	Енергията на батерията спада.	Заредете акумулаторната батерия. Ако зареждането не е ефективно, сменете акумулаторната батерия.
	Задвижващата система не работи нормално.	Обърнете се към местния упълномощен сервис за извършване на ремонт.
Режещите остриета не се движат: ⇒ спрете веднага машината!	Между режещите остриета са захванати чужди предмети.	Изключете инструмента и извадете акумулаторната батерия, след което отстранете чуждите предмети, като използвате например клещи.
	Задвижващата система не работи нормално.	Обърнете се към местния упълномощен сервис за извършване на ремонт.
Ненормални вибрации: ⇒ спрете веднага машината!	Остриетата са счупени, огънати или износени.	Сменете режещите остриета.
	Задвижващата система не работи нормално.	Обърнете се към местния упълномощен сервис за извършване на ремонт.
Остриета и моторът не могат да спрат: ⇒ Незабавно извадете акумулаторната батерия!	Неизправност с електроенергията.	Свалете акумулаторната батерията и се обърнете към местния упълномощен сервис за извършване на ремонт.

ДОПЪЛНИТЕЛНИ АКСЕСОАРИ

⚠ ВНИМАНИЕ: Препоръчва се използването на тези аксесоари или накрайници с вашия инструмент Makita, описан в настоящото ръководство. Използването на други аксесоари или накрайници може да доведе до опасност от телесни повреди. Използвайте съответния аксесоар или накрайник само по предназначение.

Ако имате нужда от помощ за повече подробности относно тези аксесоари, се обърнете към местния сервизен център на Makita.

- Блок на режещо острие
- Капак на режещо острие
- Колектор за изрезки
- Съд със смазка
- Оригинална акумулаторна батерия и зарядно устройство на Makita

ЗАБЕЛЕЖКА: Някои артикули от списъка може да са включени в комплекта на инструмента, като стандартни аксесоари. Те може да са различни в различните държави.

SPECIFIKACIJE

Model:	DUH506	DUH606
Dužina oštrice	500 mm	600 mm
Broj udara po minuti	4.000 min ⁻¹	
Ukupna dužina (bez baterije)	846 mm	965 mm
Nazivni napon	DC 18 V	
Neto težina	2,5 – 2,9 kg	2,7 – 3,0 kg

- Zahvaljujući našem stalnom programu razvoja i istraživanja, navedene specifikacije podložne su promjenama bez obavijesti.
- Specifikacije mogu biti različite ovisno o zemlji.
- Težina se može razlikovati ovisno o opremi, uključujući baterijski uložak. Najlakša i najteža kombinacija, sukladno postupku EPTA 01/2014, prikazane su u nastavku.

Odgovarajući baterijski uložak i punjač

Baterija	BL1815N / BL1820B / BL1830B / BL1840B / BL1850B / BL1860B
Punjač	DC18RC / DC18RD / DC18RE / DC18SD / DC18SE / DC18SF / DC18SH / DC18WC

- Neki od navedenih baterijskih uložaka i punjača možda neće biti dostupni ovisno o regiji u kojoj se nalazite.

⚠ UPOZORENJE: Upotrebjavajte samo navedene baterijske uloške i punjače. Upotreba bilo koje druge vrste baterijskih uložaka i punjača može prouzročiti ozljede i/ili požar.





Preporučeni izvor napajanja spojen kabelom

Prijenosno napajanje	PDC01
----------------------	-------

- Prethodno navedeni izvori napajanja spojeni kabelom možda neće biti dostupni ovisno o regiji u kojoj se nalazite.
- Prije upotrebe izvora napajanja spojenog kabelom pročitajte upute i znakove opreza koji se na njima nalaze.

Simboli

U nastavku su prikazani simboli koji se upotrebljavaju za opremu. Prije korištenja provjerite jeste li razumjeli njihovo značenje.

	Pročitajte priručnik s uputama.
	Nosite zaštitu za oči.
	OPASNOST – Ruke držite podalje od noža.
	Nemojte izlagati vlagi.



Ni-MH
Li-ion

Samo za države EU

Zbog prisutnosti opasnih komponenti u opremi, otpadna električna i elektronička oprema, akumulatori i baterije i mogu imati negativan učinak na okoliš i ljudsko zdravlje.

Nemojte odlagati električne i elektroničke uređaje ili baterije s ostalim kućanskim otpadom!

U skladu s Europskom direktivom o otpadnoj električnoj i elektroničkoj opremi, o akumulatorima i baterijama te o otpadnim akumulatorima i baterijama, i njenoj prilagodbi nacionalnim zakonima, otpadna električna oprema, baterije i akumulatori trebali bi se pohranjivati zasebno i isporučivati u odvojena sabirna mjesta za komunalni otpad, koja postupaju u skladu s uredbama o zaštiti okoliša.

To je naznačeno simbolom prekrizižene kante za otpad na kogačima koja je postavljena na opremi.



Zajamčena razina jačine zvuka u skladu s Direktivom EU o emisiji buke u okoliš.



Razina jačine zvuka u skladu s Uredbom o kontroli buke u Australiji (Novi Južni Wales)

Namjena

Alat je namijenjen za podrezivanje živice.

Buka

Važeći standard : EN62841-4-2

Model	Razina tlaka zvuka		Razina snage zvuka	
	L _{PA} (dB(A))	Neodređenost K (dB(A))	L _{WA} (dB(A))	Neodređenost K (dB(A))
DUH506	77	3	88	3
DUH606	79	3	90	3

NAPOMENA: Deklarirana vrijednost emisije buke izmjerena je prema standardnoj metodi testiranja i može se rabiti za usporedbu jednog alata s drugim.

NAPOMENA: Deklarirana vrijednost emisije buke također se može rabiti za preliminarnu procjenu izloženosti.

⚠ UPOZORENJE: Nosite zaštitu za uši.

⚠ UPOZORENJE: Emisija buke tijekom stvarnog korištenja električnog ručnog alata se može razlikovati od deklariranih vrijednosti emisije, ovisno o načinu na koji se alat rabi, posebice ovisno o tome kakav se izradak izrađuje.

⚠ UPOZORENJE: Nemojte zaboraviti da identificirate sigurnosne mjere zaštite rukovatelja koje se temelje na procjeni izloženosti u stvarnim uvjetima korištenja (uzimajući u obzir sve dijelove radnog ciklusa, poput vremena kada je alat isključen i kada on radi u praznom hodu, a također i vrijeme okidanja).

Vibracija

Ukupna vrijednost vibracija (troosni vektorski zbir) izračunata u skladu s EN62841-4-2:

Model	Prednja ručka		Stražnja ručka	
	ah (m/s ²)	Neodređenost K (m/s ²)	ah (m/s ²)	Neodređenost K (m/s ²)
DUH506	2,5 m/s ² ili manje	1,5	2,5 m/s ² ili manje	1,5
DUH606	2,5 m/s ² ili manje	1,5	2,5 m/s ² ili manje	1,5

NAPOMENA: Deklarirana vrijednost ukupnih vibracija izmjerena je prema standardnoj metodi testiranja i može se rabiti za usporedbu jednog alata s drugim.

NAPOMENA: Deklarirana vrijednost ukupnih vibracija također se može rabiti za preliminarnu procjenu izloženosti.

⚠ UPOZORENJE: Emisija vibracija tijekom stvarnog korištenja električnog ručnog alata se može razlikovati od deklariranih vrijednosti emisije, ovisno o načinu na koji se alat rabi, posebice ovisno o tome kakav se izradak izrađuje.

⚠ UPOZORENJE: Nemojte zaboraviti da identificirate sigurnosne mjere zaštite rukovatelja koje se temelje na procjeni izloženosti u stvarnim uvjetima korištenja (uzimajući u obzir sve dijelove radnog ciklusa, poput vremena kada je alat isključen i kada on radi u praznom hodu, a također i vrijeme okidanja).

Izjava o sukladnosti EZ

Samo za države članice Europske unije

Izjava o sukladnosti EZ u prilogu je Priloga A ovih uputa za upotrebu.

SIGURNOSNA UPOZORENJA

Opća sigurnosna upozorenja za električne ručne alate

⚠ UPOZORENJE: Pročitajte sva sigurnosna upozorenja, upute, ilustracije i specifikacije priložene uz ovaj električni ručni alat. Nepridržavanje svih uputa navedenih u nastavku može rezultirati strujnim udarom, požarom i/ili ozbiljnim ozljedama.

Sačuvajte sva upozorenja i upute radi kasnijeg korištenja.

Pojam „električni alat“ u upozorenjima odnosi se na električni (kabelski) alat uključen u struju ili na bežične električne alate (na baterije).

Sigurnosne napomene za bežični trimer za živicu

- Sve dijelove kućišta držite dalje od oštrica. Ne uklanjajte odrezani materijal i ne držite materijal koji treba rezati dok se oštrice miču.** Oštrice se nastavljaju okretati i nakon isključivanja. Trenutak nepažnje dok rukujete škarama za živicu može dovesti do teških osobnih ozljeda.
- Škare za živicu nosite držeći ih za ručku kada je oštrica zaustavljena i pazite da ne djelujete niti na jedan prekidač.** Pravilnim nošenjem škara za živicu smanjuje se opasnost od nehotičnog pokretanja i posljedinih ozljeda prouzročenih oštricama.
- Kada prenosite ili spremate škare za živicu, uvijek stavite poklopac za uređaj za rezanje.** Pravilnim rukovanjem škarama za živicu smanjuje se opasnost od nehotičnog pokretanja i posljedinih ozljeda prouzročenih oštricama.
- Pazite, prilikom čišćenja zaglavljenih materijala ili servisiranja jedinice, da su svi prekidači isključeni i da je baterija izvađena ili odspojena.** Neočekivano pokretanje škara za živicu prilikom čišćenja zaglavljenog materijala ili servisiranja može dovesti do teških osobnih ozljeda.
- Škare za živicu držite isključivo za izolirane rukohvatne površine jer inače oštrica rezača može doći u dodir sa skrivenim kabelima.** Oštrice koje dođu u doticaj sa žicom pod naponom mogu dovesti pod napon izložene metalne dijelove škara za živicu i rukovatelj može pretrpjeti strujni udar.
- Sve električne kabele držite dalje od područja rezanja.** Za vrijeme rada može se dogoditi da kabel bude skriven u živici grmlju i da ga oštrica slučajno presiječe.
- Izbjegavajte upotrebu škara za živicu s produženim dosegom u lošim vremenskim uvjetima, osobito kada postoji opasnost od munje.** Time se smanjuje opasnost od udara munje.
- Kada škare za živicu predajete drugoj osobi, najprije odložite škare za živicu na tlo te podignite škare za živicu nakon što potpuno uklonite ruku.** Prosljeđivanje škara za živicu rukom uzrokuje držanje i prednje i stražnje ručke u isto vrijeme, a tada se škare za živicu nehotice pokreću. Nehotično pokretanje može izazvati teške ozljede.

Dodatne sigurnosne upute

Priprema

- Prije rukovanja alatom provjerite da u živici i grmlju nema stranih predmeta, kao što su žičane ograde ili skriveni kabeli.**
- Škare za živicu ne smiju upotrebljavati djeca i osobe mlađe od 18 godina.** Mlađe osobe iznad 16 godina starosti mogu biti izuzete od ovog ograničenja ako se osposobljavaju pod nadzorom stručnjaka.

- Iskusni korisnik trebao bi pokazati osobama koji ga prvi put upotrebljavaju kako se alat upotrebljava.**
- Alat upotrebljavajte samo ako ste u dobrom fizičkom stanju.** Ako ste umorni, koncentracija će vam biti smanjena. Budite osobito oprezni krajem radnog dana. Sve radove obavljajte smireno i pažljivo. Korisnik snosi odgovornost za sve ozljede nanesene trećim stranama.
- Nikada ne upotrebljavajte alat pod utjecajem alkohola, droge ili lijekove.**
- Radne rukavice od grube kože dio su osnovne opreme alata i uvijek ih morate nositi pri radu. Također nosite čvrstu obuću s gumenim potplatom.**
- Prije početka rada provjerite je li alat u dobrom stanju sigurnom za rad. Pazite da su štitnici propisno namješteni. Alat ne smijete upotrebljavati ako nije u potpunosti sastavljen.**

Rad

- Alat čvrsto držite s obje ruke prilikom upotrebe.**
- Alat je namijenjen za upotrebu na razini tla. Nemojte ga upotrebljavati na ljestvama ili nekoj drugoj nestabilnoj podlozi.**
- OPASNOST - Ruke držite dalje od oštrice.** Kontakt s oštricom rezultirat će ozbiljnim tjelesnim ozljedama.
- Alat ne upotrebljavajte kada pada kiša, ili u mokrim ili vrlo važnim uvjetima.** Električni motor nije otporan na vodu.
- Pazite da imate sigurno uporište prije početka rukovanja.**
- Ne ostavljajte alat da radi bez opterećenja ako to nije potrebno.**
- Smjesta isključite motor i uklonite baterijski uložak ako oštrica škara dođe u dodir s ogradom ili nekim čvrstim predmetom. Provjerite jesu li oštrice oštećene i ako jesu, odmah ih popravite.**
- Uvijek isključite alat i izvadite baterijski uložak, prije pregleda oštrica škara, provjere grešaka ili uklanjanja materijala koji je u njima zapeo.**
- Nemojte oštrice škara usmjeravati prema sebi ili drugima.**
- Ako se listovi prestanu pomicati zbog stranih predmeta zaglavljenih između listova tijekom rada, isključite alat i uklonite baterijski uložak, a zatim uklonite strane predmete s pomoću klijesta ili sličnog pribora.** Ručno uklanjanje stranih predmeta može prouzročiti ozljedu uslijed pomicanja listova prilikom uklanjanja stranih predmeta.

Električna sigurnost i sigurnost baterije

- Izbjegavajte opasan okoliš. Alat nemojte upotrebljavati na vlažnim ili mokrim mjestima niti ga izlagati kiši.** Ulazak vode u alat može povećati rizik od strujnog udara.
- Bateriju/e ne bacajte u vatru.** Čelija bi mogla eksplodirati. Provjerite u lokalnim propisima postoje li posebne upute za odlaganje.
- Nemojte otvarati niti uništavati bateriju/e.** Ispušteni elektrolit jest korozivan i može oštetiti oči ili kožu. Možete se otrovati ako ga progutate.

4. Ne punitite bateriju na kiši ili na mokrim mjestima.
 5. Ne punitite bateriju na otvorenom.
 6. Ne rukujte punjačem, uključujući utikač punjača, i priključcima punjača mokrim rukama.
- Održavanje i skladištenje**
1. Isključite alat i uklonite baterijski uložak prije obavljanja održavanja.
 2. Prilikom premještanja alata na drugu lokaciju, uključujući i tijekom rukovanja, uvijek uklonite baterijski uložak i stavite štitnik oštrice na oštrice rezača. Nikada ne nosite i ne prenosite alat dok rezač radi. Oštrice nikada ne hvatajte rukama.
 3. Alat, a posebice oštrice škara, očistite nakon upotrebe, a prije no što alat spremite na dulje vrijeme. Oštrice malo nauljite i stavite štitnik.
 4. Alat spremite sa štitnikom na suho mjesto. Držite ga izvan dohvata djece. Alat nikada nemojte odlagati na otvorenom.
 5. Bateriju/e ne bacajte u vatru. Čelija može eksplodirati. Provjerite u lokalnim propisima postoje li posebne upute za odlaganje.
 6. Ne otvarajte niti uništavajte bateriju/e. Ispušteni elektrolit korozivan je i može oštetiti oči ili kožu. Može biti otrovan ako se proguta.
 7. Ne punitite bateriju na kiši ili na mokrim mjestima.
6. Ne držite i ne upotrebljavajte alat i baterijski uložak na mjestima gdje temperatura može premašiti 50 °C (122 °F).
 7. Ne spaljujte bateriju čak ni ako je ozbiljno oštećena ili potpuno istrošena. Baterija može eksplodirati u vatri.
 8. Nemojte zabijati čavle u baterijski uložak, rezati ga, gnječiti, bacati ili udarati tvrdim predmetom. Ti postupci mogu dovesti do požara, pretjeranog zagrijavanja ili eksplozije.
 9. Ne koristite oštećene baterije.
 10. Sadržane litij-ionske baterije podliježu odredbama zakonskih propisa o opasnim tvarima. Kada se radi o komercijalnom transportu koji obavljaju npr. dobavljači ili špediteri, moraju se poštovati posebni zahtjevi na pakiranju i oznakama. Prilikom pripreme isporuke takve stavke potražite savjet stručnjaka za opasne tvari. Pogledajte i moguće detaljnije nacionalne propise. Prekrijte trakom ili zaštitite otvorene kontakte i bateriju zapakirajte tako da se ne može pomicati u pakiranju.
 11. Kada odlazete baterijski uložak u otpad, uklonite ga iz alata i zbrinite na sigurnom mjestu. Pridržavajte se lokalnih zakonskih propisa za zbrinjavanje baterija.
 12. Upotrebljavajte baterije samo s proizvodima koje je odobrila tvrtka Makita. Umetanje baterija u neprikladne proizvode može dovesti do požara, prekomjerne topline, eksplozije ili curenja elektrolita.
 13. Ako se alat ne upotrebljava dulje vrijeme, bateriju morate ukloniti iz alata.
 14. Tijekom i nakon upotrebe baterijski uložak može se zagrijati i prouzročiti opekline višeg ili nižeg stupnja. Pažljivo rukujte vrućim baterijskim uložcima.
 15. Nemojte dirati priključak alata neposredno nakon upotrebe jer se može zagrijati toliko da prouzroči opekline.
 16. Nemojte dopustiti da krhotine, prašina ili zemlja zapnu u priključcima, otvorima i utorima baterijskog uložka. To može dovesti do pregrijavanja, zapaljenja, eksplozije ili kvara na uređaju ili baterijskom uložku, što može prouzročiti opekline ili osobne ozljede.
 17. Ako alat ne podržava upotrebu u blizini visokonaponskih električnih vodova, nemojte upotrebljavati baterijski uložak u blizini a visokonaponskih električnih vodova. To može dovesti do neispravnog rada ili kvara alata ili baterijskog uložka.
 18. Bateriju čuvajte podalje od djece.

ČUVAJTE OVE UPUTE.

⚠ UPOZORENJE: NEMOJTE dozvoliti da udobnost ili znanje o proizvodu (stečeno stalnim korištenjem) zamijene strogo pridržavanje sigurnosnih propisa za određeni proizvod. ZLOUPORABA ili nepridržavanje sigurnosnih propisa navedenih u ovom priručniku s uputama mogu prouzročiti ozbiljne ozljede.

Važne sigurnosne upute za bateriju

1. Prije uporabe baterije pročitajte sve upute i oznake upozorenja na (1) punjaču za baterije, (2) bateriji i (3) proizvodu koji koristi bateriju.
2. Nemojte rastavljati ili izmjenjivati baterijski uložak. To može dovesti do požara, pretjeranog zagrijavanja ili eksplozije.
3. Ako se vrijeme rada znatno skratilo, odmah prestanite raditi. Može doći do pregrijavanja, mogućih opekline pa čak i eksplozije.
4. Ako vam elektrolit dospje u oči, isperite ih čistom vodom i odmah se obratite liječniku. Tako možete izgubiti vid.
5. Nemojte kratko spajati bateriju:
 - (1) Ne dovodite terminale u kontakt s provodljivim materijalima.
 - (2) Ne čuvajte bateriju u spremniku s drugim metalnim predmetima poput čavala, kovanica itd.
 - (3) Ne izlažite bateriju vodi ili kiši.
 Kratki spoj baterije može uzrokovati velik protok struje, pregrijavanje, moguće opekline pa čak i kvar.

ČUVAJTE OVE UPUTE.

⚠ OPREZ: Uvijek upotrebljavajte originalne baterije Makita. Upotreba baterija koje nisu originalne baterije Makita ili su izmijenjene može dovesti do rasprskavanja baterije i uzrokovati požar, tjelesnu ozljedu ili štetu. To će također poništiti jamstvo tvrtke Makita za alat i punjač Makita.

Savjeti za održavanje najduljeg vijeka trajanja baterije

1. Napunite bateriju prije nego što se potpuno isprazni. Uvijek zaustavite alat i napunite bateriju kad primijetite da alat slabije radi.
2. Nikad ne punite već do kraja napunjenu bateriju. Pretjerano punjenje skraćuje radni vijek baterije.
3. Bateriju punite na sobnoj temperaturi između 10 °C i 40 °C. Vruću bateriju prije punjenja ostavite da se ohladi.
4. Kada ne upotrebljavate baterijski uložak, uklonite ga iz alata ili punjača.
5. Napunite bateriju ako je ne mislite koristiti duže vrijeme (duže od 6 mjeseci).

FUNKCIONALNI OPIS

⚠ OPREZ: Prije podešavanja ili provjere rada alata obavezno provjerite je li stroj isključen i baterija uklonjena.

Umetanje ili uklanjanje baterije

⚠ OPREZ: Uvijek isključite alat prije umetanja ili uklanjanja baterije.

⚠ OPREZ: Čvrsto držite alat i bateriju pri umetanju ili uklanjanju baterije. Ako alat i bateriju ne držite čvrsto, mogli bi vam iskliznuti iz ruku te oštetiti alat i bateriju ili uzrokovati osobnu ozljedu.

► **Sl.1:** 1. Crvena oznaka 2. Gumb 3. Baterija

Za uklanjanje bateriju gurnite van iz alata pritiskom gumba na prednjoj strani uloška.

Za umetanje baterijskog uloška poravnajte jezičac na baterijskom ulošku s utorom na kućištu i gurnite ga na mjesto. Umetnite bateriju skroz do kraja dok ne sjedne na svoje mjesto uz mali klik. Ako možete vidjeti crvenu oznaku kao što je prikazano na slici, ona nije do kraja sjela na svoje mjesto.

⚠ OPREZ: Uvijek umetnite baterijski uložak do kraja tako da ne možete vidjeti crvenu oznaku. U suprotnom može slučajno ispasti iz alata, što može dovesti do ozljede vas ili nekog u blizini.

⚠ OPREZ: Ne umećite bateriju silom. Ako baterija ne klizne lagano, znači da nije ispravno umetnuta.

Prikaz preostalog kapaciteta baterije

Samo za baterijske uloške s indikatorom

► **Sl.2:** 1. Žaruljice indikatora 2. Gumb za provjeru

Pritisnite gumb za provjeru na bateriji kako biste provjerali preostali kapacitet baterije. Žaruljica indikatora zasvijetlit će na nekoliko sekundi.

Žaruljice indikatora			Preostali kapacitet
Svijetli	Isključeno	Treperi	
			75 % do 100 %
			50 % do 75 %
			25 % do 50 %
			0 % do 25 %
			Napunite bateriju.
			Baterija je možda neispravna.

NAPOMENA: Ovisno o uvjetima upotrebe i temperaturi okoline, prikaz indikatora može se donekle razlikovati od stvarnog kapaciteta.

NAPOMENA: Prva (krajnja lijeva) žaruljica indikatora treperit će dok radi sustav za zaštitu baterije.

Sustav zaštite alata/baterije

NAPOMENA: Ovisno o uvjetima upotrebe, alat se automatski zaustavlja i bez kakvih naznaka jesu li se grančice ili otpad u njemu zaglavili. U tom slučaju, isključite alat i uklonite baterijski uložak, a zatim uklonite zaglavljene grančice ili ostatke s pomoću klijesta ili sličnog pribora. Nakon uklanjanja grančica ili ostataka umetnite baterijski uložak i ponovno uključite alat.

Ovaj alat sadrži sustav zaštite alata/baterije. Sustav automatski prekida napajanje motora da bi produžio vijek trajanja alata i baterije. Alat automatski prestaje raditi ako se alat ili baterija nađu u nekom od sljedećih uvjeta:

Zaštita od preopterećenja

Ako se alatom ili baterijom rukuje na način koji dovodi do neuobičajeno velike potrošnje struje, alat se automatski zaustavlja. U tom slučaju isključite alat i prestanite ga upotrebljavati na način koji je izazvao preopterećenje. Zatim uključite alat kako biste ga ponovno pokrenuli.

Zaštita od pregrijavanja

Kad se alat ili baterija pregriju, automatski se zaustavljaju. U tom slučaju ostavite alat i bateriju da se ohlade prije ponovnog uključivanja alata.

Zaštita od prekomjernog pražnjenja

Ako kapacitet baterije nije dovoljan, alat se automatski zaustavlja. U tom slučaju izvadite baterijski uložak iz alata i napunite ga.

Zaštita od ostalih uzroka

Sustav zaštite napravljen je i za ostale uzroke koji bi mogli oštetiti alat i omogućuje automatsko zaustavljanje alata. Poduzmite sve sljedeće korake da biste otklonili uzroke kada je alat privremeno zaustavljen ili prestao s radom.

1. Isključite alat pa ga ponovno uključite da biste ga pokrenuli.
2. Napunite jednu ili više baterija ili ih zamijenite napunjenim baterijama.
3. Pustite da se uređaj i jedna ili više baterija ohlade.

Ako obnavljanje sustava zaštite nije dovelo do poboljšanja, obratite se lokalnom servisnom centru tvrtke Makita.

NAPOMENA: Ako se alat zaustavlja zbog uzroka koji nisu gore opisani, pogledajte odjeljak za rješavanje problema.

Uključivanje i isključivanje

⚠ UPOZORENJE: Radi vaše sigurnosti, ovaj je alat opremljen ručicom sklopke koja sprječava nehotično pokretanje. NIKADA ne upotrebljavajte alat ako se uključi običnim povlačenjem uključno/isključne sklopke, a da prethodno niste pritisnuli ručicu sklopke. Vratite alat u ovlaštenu servisnu centar na popravak PRIJE daljnje upotrebe.

⚠ UPOZORENJE: NIKADA ne učvršćujte vrpcom niti onemogućite svrhu i funkciju ručice prekidača.

⚠ UPOZORENJE: Prije umetanja baterije u alat uvijek provjerite rade li uključno/isključna sklopka i ručica prekidača i vraćaju li se u položaj za isključivanje „OFF” nakon otpuštanja. Rad s alatom na kojem sklopka ne radi ispravno može dovesti do gubitka kontrole i teških tjelesnih ozljeda.

⚠ OPREZ: Prilikom nošenja nikad nemojte stavljati prst na sklopku. Alat se nehotično može pokrenuti i prouzročiti ozljede.

Da biste pokrenuli alat, držite prednju ručku dok pritišćete ručicu sklopke, pa povucite uključno/isključnu sklopku. Za zaustavljanje alata otpustite bilo uključno/isključnu sklopku ili ručicu sklopke.

- **SI:3:** 1. Prednja ručka 2. Ručica prekidača
3. Uključno-isključna sklopka

Žaruljica indikatora

- **SI:4:** 1. Žaruljica indikatora

Žaruljica indikatora treperi ili svijetli kada se baterija isprazni ili ako je alat preopterećen. U sljedećoj tablici provjerite stanje i radnju koje je potrebno poduzeti.

Žaruljica indikatora	Status	Potrebna mjera
Žaruljica treperi crveno.	Baterija je slaba.	Napunite bateriju ili ju zamijenite punom.
Žaruljica svijetli crveno.	Baterija je ispraznjena.	Napunite bateriju ili ju zamijenite punom.
	Alat se zaustavio zbog preopterećenja.	Isključite alat i uklonite uzrok preopterećenja.
	Alat se zaustavio zbog pregrijavanja.	Isključite alat te ohladite njega i bateriju.

NAPOMENA: Vrijeme kada će žaruljica indikatora zatreperti ili uključiti se ovisi o temperaturi oko radnog područja i uvjetima baterijskog uložka.

Elektroničke funkcije

Alat je opremljen elektroničkim funkcijama za lakši rad.

- Konstantna kontrola brzine
Funkcija upravljanja brzinom omogućuje stalnu brzinu okretanja bez obzira na opterećenje.
- Električna kočnica
Ovaj alat opremljen je električnom kočnicom. Ako alat kontinuirano ne uspijeva brzo zaustaviti oštrice škara nakon otpuštanja uključno/isključne sklopke, servisirajte alat u ovlaštenom servisnom centru tvrtke Makita.
- Funkcija za sprečavanje slučajnog pokretanja
Čak i ako umetnete baterijski uložak dok povlačite uključno/isključnu sklopku, alat se ne pokreće. Kako biste pokrenuli alat, najprije otpustite uključno/isključnu sklopku, a zatim je povucite.

MONTAŽA

⚠ OPREZ: Prije izvođenja bilo kakve radnje na alatu obavezno provjerite je li stroj isključen i baterija uklonjena.

⚠ OPREZ: Kada mijenjate oštrice škara, uvijek nosite rukavice tako da ruke nisu izravno izložene oštricama.

NAPOMENA: Pri zamjenjivanju oštrica škara nemojte brisati mast sa zupčanika ili vratila.

Montiranje ili uklanjanje oštrica škara

⚠ OPREZ: Postavite štitnik oštrice prije uklanjanja ili postavljanja oštrica škara.

Na alat možete montirati oštrice škara od 500 mm ili 600 mm.

1. Pričvrstite poklopac oštrice na oštrice škara.
► **SI:5:** 1. Poklopac oštrice
2. Postavite alat naopako, zatim uklonite 6 vijaka, a zatim uklonite poklopac i ploču.
► **SI:6:** 1. Vijak 2. Poklopac 3. Ploča

NAPOMENA: Ploča smije ostati na poklopcu.

3. Vratilo s ravnim odvijačem okrenite tako da 2 rupe budu okomite na oštrice škara.
► **SI:7:** 1. Vratilo 2. Otvor
4. Skinite 2 vijka, podložak od filca i rukavce, a zatim skinite oštrice škara.
► **SI:8:** 1. Podložak od filca 2. Vijak 3. Rukavac
4. Oštrice škara
5. Uklonite poklopac oštrice, a zatim ga pričvrstite na nove oštrice škara.
► **SI:9:** 1. Poklopac oštrice
6. Poravnajte stražnje rubove oštrica škara kako je prikazano na slici.
► **SI:10:** 1. Stražnji rub

7. Lagano pomaknite oštrice škara kao što je prikazano na slici, a zatim pričvrstite rukavce na oštrice škara.

► **Sl.11:** 1. Rukavac

8. Lagano pomaknite poklopac oštrice prema vrhu oštrica škara, a zatim pričvrstite oštrice škara na alat.

► **Sl.12:** 1. Oštrice škara

NAPOMENA: Stavite malo masti oko unutarnjeg ruba na otvoru oštrica škara.

NAPOMENA: Pazite da ne otpustite rukavce.

9. Pomaknite oštrice škara i rukavce tako da otvori na rukavcima budu poravnati s otvorima na alatu.

► **Sl.13:** 1. Otvor na alatu 2. Otvor na rukavcu

10. Zategnite vijke da biste pričvrstili oštrice škara.

► **Sl.14:** 1. Vijak

11. Pričvrstite podložak od filca na oštrice škara.

► **Sl.15:** 1. Podložak od filca

12. Pričvrstite ploču.

► **Sl.16:** 1. Ploča

13. Pričvrstite poklopac, a zatim zategnite 6 vijaka.

► **Sl.17:** 1. Vijak 2. Poklopac

NAPOMENA: Ako se oštrice škara ne kreću lako, oštrice škara nepravilno zahvaćaju vratilo. Ponovo postavite oštrice škara.

NAPOMENA: Ako su istrošeni drugi dijelovi, osim oštrica škara, primjerice vratilo, zatražite zamjenu dijelova ili popravak u ovlaštenim servisnim centrima tvrtke Makita.

Postavljanje ili uklanjanje spremnika za strugotine

Dodatni pribor

▲OPREZ: Kada postavljate ili uklanjate spremnik za strugotine, uvijek nosite rukavice tako da ruke nisu izravno izložene oštricama škara.

NAPOMENA: Poklopac oštrica ne može se postaviti ako je spremnik za strugotine postavljen na alat. Prije nošenja ili pohranjivanja alata uklonite spremnik za strugotine, a zatim postavite poklopac oštrice kako biste spriječili izloženost oštrice.

NAPOMENA: Obavezno uklonite poklopac za oštricu prije postavljanja spremnika za strugotine.

Spremnik za strugotine prikuplja odbačeno lišće i olakšava čišćenje nakon rada. Može se postaviti s bilo koje strane alata.

1. Poravnajte otvore na spremniku za strugotine s vijcima na oštricama škara.

► **Sl.18:** 1. Vijak

2. Zakvačite hvataljke spremnika za strugotine na otvor oštrica škara.

► **Sl.19:** 1. Hvataljka 2. Otvor

3. Pritisnite ručice na spremniku za strugotine, a zatim zakvačite hvataljke na drugu stranu u otvor na oštricama škara.

► **Sl.20:** 1. Ručica

Spremnik za strugotine skinite tako da pritisnete ručice s obje strane da se hvataljke otpuste.

► **Sl.21:** 1. Ručica

NAPOMENA: Nikad ne pokušavajte ukloniti spremnik za strugotine pretjeranom silom dok su kukice uglavljene u oštrica škara.

RAD

▲UPOZORENJE: Ruke držite dalje od oštrica škara.

▲OPREZ: Izbjegavajte rukovanje alatom na visokim temperaturama koliko god je moguće. Kada rukujete alatom pazite na svoje fizičko stanje.

▲OPREZ: Pazite da slučajno ne dodirnete metalnu ogradu ili neki drugi čvrsti predmet tijekom rezanja. Oštrice škara mogu se slomiti i prouzročiti ozbiljnu ozljedu.

▲OPREZ: Nemojte dopustiti da oštrice škara dodiruju tlo. Alat može odskočiti i prouzročiti ozljede.

▲OPREZ: Predaleko doseganje trimerom za živicu, osobito sa ljestvi, iznimno je opasno. Nemojte raditi stojeći na nesigurnoj ili mekanj podlozi.

NAPOMENA: Ne pokušavajte rezati grane deblje od 10 mm ovim alatom. Odrežite grane do 10 cm ispod visine rezanja s pomoću rezača za grane prije upotrebe alata.

► **Sl.22:** (1) Visina rezanja (2) 10 cm

NAPOMENA: Ne režite mrtva stabla ili slične čvrste objekte. U protivnom možete oštetiti alat.

NAPOMENA: Ne režite travu ili korov kada koristite oštrice škara. Oštrice škara mogu zapeti u travi ili korovu.

Držite alat objema rukama, držite prednju ručku dok pritišćete ručicu prekidača i povucite uključno/isključnu sklopku, a zatim pomaknite alat naprijed.

► **Sl.23**

Za osnovni rad nagnite oštrice škara u smjeru rezanja i pomaknite ga lagano i blago brzinom od 3 do 4 sekundi po metru.

► **Sl.24**

Da biste rezali gornji dio živice ravnomjerno, zavezite žicu na željenu visinu pa režite uz nju.

► **Sl.25**

Ako je spremnik za strugotine pričvršćen na oštrice škara, on prikuplja odbačeno lišće i olakšava čišćenje nakon rada.

► **Sl.26**

Da biste živicu ravnomjerno rezali sa strane, režite odozdo prema gore.

► **Sl.27**

Kada režete kako biste dobili okrugao oblik (rezanje šimširovine ili rododendrona i sl.), režite od korijena prema vrhu da biste postigli lijep izgled.

► **Sl.28**

ODRŽAVANJE

⚠ OPREZ: Prije svih zahvata na stroju provjerite jeste li isključili stroj i uklonili bateriju.

Da biste zadržali SIGURNOST I POUZDANOST proizvoda, održavanje ili namještanja trebali biste prepustiti ovlaštenim servisnim ili tvorničkim centrima tvrtke Makita; uvijek rabite originalne rezervne dijelove.

Čišćenje alata

Očistite alat brisanjem prašine suhom krpom ili krpom namočenom u sapunicu a zatim iscijeđenom.

NAPOMENA: Nikada nemojte koristiti benzin, mješavinu benzina, razrjeđivač, alkohol ili slično. Kao rezultat toga može se izgubiti boja, pojaviti deformacija ili pukotine.

Održavanje škara za rezanje

Prije rada ili jednom po satu tijekom rada, stavite ulje niske viskoznosti (motorno ulje ili nanesite ulje za podmazivanje iz spreja) na oštrice škara.

► **SI.29**

Nakon rada očistite prašinu s obje strane oštrica škara žičanom četkom, obrišite ih krpom i zatim nanesite dovoljno ulja niske viskoznosti (motorno ulje ili nanesite ulje za podmazivanje iz spreja) na oštrice škara.

► **SI.30**

NAPOMENA: Oštrice škara ne perite u vodi. U protivnom alat može zahrđati ili se oštetiti.

NAPOMENA: Prljavština i korozija uzrokuju pretjerano trenje oštrice i skraćuju vrijeme rada po punjenju baterije.

Skladištenje

Rupa za kuku na dnu alata prikladna je za vješanje alata na čavao ili vijak na zidu. Štitnik oštrice pričvrstite na oštrice škara tako da oštrice nisu izložene. Pohranite alat tako da ne bude dostupan djeci. Alat spremite na mjesto koje nije izloženo vlazi ili kiši.

► **SI.31:** 1. Rupa

Brušenje oštrica škara

NAPOMENA: Ako su se oštrice škara značajno iskrivile brušenjem, zamijenite ih novima.

1. Umetnite baterijski uložak u alat.
2. Uključite i pokrenite alat tako da se gornja i donja oštrica izmjenjuju.

► **SI.32**

3. Isključite alat i uklonite baterijski uložak iz alata.

4. Postavite kut brusa na 35°, a zatim brusite gornju oštricu iz 2 smjera koristeći brus.

► **SI.33:** (1) Brus (2) 35°

⚠ OPREZ: Prije brušenja oštrica škara obavezno provjerite jeste li isključili alat i uklonili baterijski uložak.

5. Postavite alat naopako, a zatim brusnim kamenom uklonite strugotine s oštrica škara.

► **SI.34:** 1. Brusni kamen

6. Postavite kut brusa na 35°, a zatim brusite donju oštricu iz 2 smjera koristeći brus.

7. Postavite alat u normalan položaj, a zatim brusnim kamenom uklonite strugotine s oštrica škara.

Podmazivanje

Interval podmazivanja: Svaki 50 radnih sati

1. Izvadite vijak iz otvora za podmazivanje.

► **SI.35:** 1. Vijak

2. Uklonite poklopac s posude za mazivo. Poravnajte izlaz posude za mazivo s otvorom na poklopcu, a zatim okrenite posudu za mazivo da biste pričvrstili izlaz posude za mazivo u otvor.

► **SI.36:** 1. Posuda za mazivo 2. Otvor

3. Nanesite mazivo na alat (pribl. 3 g okvirno).

4. Uklonite posudu za mazivo.

5. Zategnite vijak.

RJEŠAVANJE PROBLEMA

Prije nego zatražite popravak, sami pregledajte stroj. Ako pronađete problem za koji ne postoji objašnjenje u uputama, nemojte pokušavati rastaviti alat. Umjesto toga obratite se ovlaštenom servisnom centru tvrtke Makita koji za popravke uvijek koristi zamjenske dijelove tvrtke Makita.

Stanje nepravilnosti	Mogući uzroci (kvar)	Otklanjanje problema
Motor ne radi.	Uložak baterije nije postavljen.	Umetnite bateriju.
	Problem s baterijom (pod naponom)	Napunite bateriju. Ako punjenje nema učinka, zamijenite bateriju.
	Pogonski sustav ne radi pravilno.	Za popravak se obratite lokalnom ovlaštenom servisu.
Motor prestaje raditi nakon kratke upotrebe.	Razina napunjenosti baterije je niska.	Napunite bateriju. Ako punjenje nema učinka, zamijenite bateriju.
	Pregrijavanje.	Prekinite upotrebu alata kako bi se ohladio.
Alat ne doseže maksimalni broj okretaja u minuti.	Baterija je nepravilno postavljena.	Postavite bateriju kako je opisano u ovom priručniku.
	Snaga baterije pada.	Napunite bateriju. Ako punjenje nema učinka, zamijenite bateriju.
	Pogonski sustav ne radi pravilno.	Za popravak se obratite lokalnom ovlaštenom servisu.
Oštrice škara se ne pomiču: ⇒ odmah zaustavite stroj!	Strani predmeti zahvaćeni su između oštrica škara.	Isključite alat i uklonite baterijski uložak, a zatim uklonite strane predmete s pomoću kliješta ili sličnog pribora.
	Pogonski sustav ne radi pravilno.	Za popravak se obratite lokalnom ovlaštenom servisu.
Neuobičajene vibracije: ⇒ odmah zaustavite stroj!	Oštrice škara su puknute, savijene ili istrošene.	Zamijenite oštrice škara.
	Pogonski sustav ne radi pravilno.	Za popravak se obratite lokalnom ovlaštenom servisu.
Oštrice škara i motor ne zaustavljaju se: ⇒ Odmah izvadite bateriju!	Električni kvar.	Izvadite bateriju i obratite se ovlaštenom lokalnom servisu radi popravka.

DODATNI PRIBOR

⚠ OPREZ: Ovaj dodatni pribor ili priključci preporučuju se samo za upotrebu s alatom Makita navedenim u ovom priručniku. Upotreba bilo kojeg drugog dodatnog pribora ili priključaka može prouzročiti ozljede. Upotrebite dodatni pribor ili priključak samo za njegovu navedenu svrhu.

Ako vam je potrebna pomoć za više detalja u pogledu ovih dodatnih pribora, obratite se najbližem Makita servisnom centru.

- Sklop oštrice škara
- Štitnik oštrice škara
- Spremnik za strugotine
- Posuda za mazivo
- Originalna baterija i punjač Makita

NAPOMENA: Neke stavke iz popisa se mogu isporučiti zajedno sa strojem kao standardni dodatni pribori. Oni mogu biti različiti ovisno o zemlji.

СПЕЦИФИКАЦИИ

Модел:	DUH506	DUH606
Должина на сечилото	500 мм	600 мм
Потези во минута	4.000 мин. ⁻¹	
Вкупна должина (Без батерија)	846 мм	965 мм
Номинален напон	D.C. 18 V	
Нето тежина	2,5 - 2,9 кг	2,7 - 3,0 кг

- Поради нашата континуирана програма за истражување и развој, спецификациите тука подлежат на промена без најава.
- Спецификациите може да се разликуваат од држава до држава.
- Тежината може да се разликува во зависност од додатоците, вклучувајќи ја и касетата за батерија. Најлесната и најтешката комбинација, согласно процедурата на ЕПТА 01/2014 (Европската асоцијација за електрични алати), се прикажани во табелата.

Применлива касета за батерија и полнач

Касета за батерија	BL1815N / BL1820B / BL1830B / BL1840B / BL1850B / BL1860B
Полнач	DC18RC / DC18RD / DC18RE / DC18SD / DC18SE / DC18SF / DC18SH / DC18WC

- Некои од касетите за батерии и полначите наведени погоре може да не се достапни зависно од регионот во кој живеете.

▲ ПРЕДУПРЕДУВАЊЕ: Користете ги само касетите за батерии и полначите наведени погоре. Користењето какви било поинакви касети за батерии и полначи може да создаде ризик од повреда и/или пожар.





Препорачан извор на енергија поврзан со кабел

Пренослив пакет за напојување	PDC01
-------------------------------	-------

- Изворите на енергија поврзани со кабел наведени погоре може да не се достапни зависно од регионот во кој живеете.
- Пред користење на изворот на енергија поврзан со кабел, прочитајте ги упатствата и ознаките за внимание на нив.

Симболи

Долунаведените ги прикажуваат симболите што може да се користат кај опремата. Пред употребата, проверете дали го разбирате нивното значење.

	Прочитајте го упатството за користење.
	Носете заштитни очила.
	ОПАСНОСТ - држете ги рацете подалеку од сечилото.
	Да не се изложува на влага.



Само за земјите на ЕУ
Поради присуство на опасни компоненти во опремата, отпадната електрична и електронска опрема, акумулаторите и батериите може да влијаат негативно врз животната средина и човековото здравје. Не фрлајте ги електричните и електронските апарати или батериите во домашниот отпад! Во согласност со Европската директива за фрлање електрична и електронска опрема, акумулатори, батерии и отпадни акумулатори и батерии, како и нивната адаптација во државниот закон, отпадната електрична опрема, батериите и акумулаторите треба да се чуваат одделно и да се достават на посебно место за собирање општински отпад, во согласност со прописите за заштита на животната средина. Ова е означено со симболот на прекрзната корпа за отпадоци ставен на опремата.



Гарантирано ниво на јачина на звукот во согласност со Директивата на ЕУ за бучава на отворено.



Ниво на јачина на звукот во согласност со Регулативата за контрола на бучава во Австралија, Нов Јужен Велс

Наменета употреба

Алатот е наменет за стрижење живи огради.

Бучава

Применлив стандард : EN62841-4-2

Модел	Ниво на звучниот притисок		Ниво на јачина на звукот	
	L_{pA} (dB(A))	Фактор на несигурност K (dB(A))	L_{WA} (dB(A))	Фактор на несигурност K (dB(A))
DUH506	77	3	88	3
DUH606	79	3	90	3

НАПОМЕНА: Номиналната вредност(и) за емисија на бучава е измерена во согласност со стандардни методи за испитување и може да се користи за споредување алати.

НАПОМЕНА: Номиналната вредност(и) за емисија на бучава може да се користи и како прелиминарна процена за изложеност.

▲ ПРЕДУПРЕДУВАЊЕ: Носете заштита за ушите.

▲ ПРЕДУПРЕДУВАЊЕ: Емисијата на бучава при фактичкото користење на алатот може да се разликува од номиналната вредност(и), зависно од начинот на којшто се користи алатот, особено од тоа како вид работен материјал се обработува.

▲ ПРЕДУПРЕДУВАЊЕ: Погрижете се да ги утврдите безбедносните мерки за заштита на лицето кое ракува со алатот врз основа на процена на изложеноста при фактичките услови на употреба (земајќи ги предвид сите делови на работниот циклус, како периодите кога електричниот алат е исклучен и кога работи во празен од, не само кога е активен).

Вибрации

Вкупна вредност на вибрациите (векторска сума на три оски) одредена во согласност со EN62841-4-2:

Модел	Предна рачка		Задна рачка	
	a_h (m/s^2)	Фактор на несигурност K (m/s^2)	a_h (m/s^2)	Фактор на несигурност K (m/s^2)
DUH506	2,5 m/s^2 или помалку	1,5	2,5 m/s^2 или помалку	1,5
DUH606	2,5 m/s^2 или помалку	1,5	2,5 m/s^2 или помалку	1,5

НАПОМЕНА: Вкупната вредност(и) на номиналната јачина на вибрациите е измерена во согласност со стандардни методи за испитување и може да се користи за споредување алати.

НАПОМЕНА: Вкупната вредност(и) на номиналната јачина на вибрациите може да се користи и како прелиминарна процена за изложеност.

▲ ПРЕДУПРЕДУВАЊЕ: Јачината на вибрациите при фактичкото користење на алатот може да се разликува од номиналната вредност(и), зависно од начинот на којшто се користи алатот, особено од тоа како вид работен материјал се обработува.

▲ ПРЕДУПРЕДУВАЊЕ: Погрижете се да ги утврдите безбедносните мерки за заштита на лицето кое ракува со алатот врз основа на процена на изложеноста при фактичките услови на употреба (земајќи ги предвид сите делови на работниот циклус, како периодите кога електричниот алат е исклучен и кога работи во празен од, не само кога е активен).

Декларација за сообразност од ЕУ

Само за земјите во Европа

Декларацијата за сообразност од ЕУ е вклучена во Додаток А од упатствата за корисникот.

БЕЗБЕДНОСНИ ПРЕДУПРЕДУВАЊА

Општи упатства за безбедност за електричните алати

▲ ПРЕДУПРЕДУВАЊЕ: Прочитајте ги сите безбедносни предупредувања, упатства, илустрации и спецификации дадени со електричниот алат. Ако не се почитуваат сите упатства наведени подолу, може да дојде до струен удар, пожар и/или сериозни повреди.

Чувајте ги сите предупредувања и упатства за да може повторно да ги прочитате.

Под терминот „електричен алат“ во предупредувањата се мисли на вашиот електричен алат кој работи на струја (со кабел) или на батерии (безжично).

Безбедносни предупредувања за безжичната фреза за жива ограда

1. **Држете ги сите делови од телото настрана од сечилото. Не отстранувајте го пресечениот материјал и не држете го материјалот што треба да се сече кога сечилата се во движење.** Сечилата продолжуваат да се вртат откако прекинувачот ќе се исклучи. Момент на невнимание при работата со тримерот за жива ограда може да резултира со тешка телесна повреда.
2. **Носете го тримерот за жива ограда за рачката, со запрено сечило и внимавајќи да не работите со ниеден прекинувач за напојување.** Правилното носење на тримерот за жива ограда ќе го намали ризикот од ненамерно стартување и резултирање со физичка повреда од сечилата.
3. **Кога го транспортирате или складирате тримерот за жива ограда, секогаш поставувајте го капакот на сечилото.** Правилното ракување со тримерот за жива ограда ќе го намали ризикот од физичка повреда од сечилата.
4. **Кога чистите заглавен материјал или ја сервисирате единицата, осигурете се дека сите прекинувачи за напојување се исклучени и дека батериите се извадени или исклучени.** Неочекуваното активирање на тримерот за жива ограда додека се чисти заглавен материјал или се сервисира може да резултира со сериозна физичка повреда.
5. **Држете го тримерот за жива ограда само за изолираните држачи затоа што сечилото може да дојде во допир со скриени жици.** Сечилата што ќе допрат жица под напон може да ја пренесат струјата до изложените метални делови на тримерот за жива ограда и да предизвика струен удар на операторот.

6. **Држете ги сите жици за напојување и каблите подалеку од областа каде што се сече.** Жиците за напојување или каблите може да бидат скриени во живите огради или грмушките и може случајно да се пресечат со сечилото.
7. **Не користете го тримерот за жива ограда при лоши временски услови, особено кога има ризик од грмотевици.** Ова го намалува ризикот од удар на гром.
8. **Кога му го предавате тримерот за жива ограда на друго лице, еднаш ставете го на земја и подигнете го откако целосно ќе ја тргнете раката.** Подавањето на тримерот за жива ограда со рака предизвикува да ги држите и предната и задната рачка истовремено, а потоа тримерот за жива ограда ненамерно се стартува. Ненамерното стартување може да предизвика сериозна повреда.

Дополнителни безбедносни упатства

Подготовка

1. **Проверете дали има туѓи предмети во живата ограда и грмушките, како на пример, жичени огради или сокриени кабли, пред да започнете со работата.**
2. **Алатот не смеат да го користат деца или млади лица под 18-годишна возраст.** Младите лица над 16-годишна возраст може да бидат исклучени од ова ограничување кога се обучуваат под надзор на стручно лице.
3. **Корисниците-почетници треба да бидат обучени од искусен корисник кој треба да им покаже како се користи алатот.**
4. **Користете го алатот само ако сте во добра физичка состојба.** Ако сте уморни, вашето внимание ќе биде намалено. Бидете особено внимателни на крајот од работниот ден. Сите работи изведувајте ги смилено и внимателно. Корисникот е одговорен за сите штети нанесени на трети страни.
5. **Никогаш не користете го алатот кога сте под влијание на алкохол, наркотични средства или лекарства.**
6. **Работните кожни ракавици се дел од основната опрема на алатот и мора да се носат кога се работи со неа. Исто така, носете обувки со дебели ѓон што не се лизгаат.**
7. **Пред да започнете со работа, проверете и осигурете се дека алатот е безбеден и е во добра работна состојба. Осигурете се дека штитниците се правилно поставени. Алатот не смее да се користи освен ако не е целосно составен.**

Работење

1. **Држете го алатот цврсто со двете раце кога го користите.**
2. **Алатот е наменет за операторот да го користи на ниво на почвата. Не користете го алатот на скали ниту на некоја друга нестабилна подлога.**
3. **ОПАСНОСТ - Држете ги рацете настрана од сечилото.** Контактот со сечилото ќе резултира со сериозна телесна повреда.

4. Не користете алатот на дожд или во влажни или многу мокри услови. Електромоторот не е водоотпорен.
5. Осигурете стабилна потпора со стапалата пред да почнете со работа.
6. Не работете со алатот без оптоварување кога тоа не е неопходно.
7. Веднаш исклучете го алатот и извадете ја касетата за батерија ако сечилата за стрижење дојдат во допир со цврста ограда или друг тврд предмет. Проверете дали се оштетиле сечилата и, ако се оштетени, веднаш заменете ги.
8. Секогаш пред да ги проверите сечилата за стрижење, поправете дефекти или отстраните материјали заглавени во сечилата за стрижење, исклучувајте го алатот и вадете ја касетата за батерија.
9. Никогаш не насочувајте ги сечилата за стрижење кон себе или кон другите.
10. Доколку сечилата престанат да се движат поради заглавувањето туѓи предмети помеѓу нив за време на работата, исклучете го алатот и отстранете ја касетата за батерија, а потоа отстранете ги туѓите предмети користејќи алати како клешта. Отстранувањето на туѓите предмети со раце може да предизвика повреда од причина што сечилата може да се поместат како реакција на отстранување на туѓите предмети.
3. Чистете го алатот и особено сечилата за стрижење по употребата и пред складирање на алатот за подолги периоди. Подмачкајте ги малку сечилата и поставете го капакот на сечилото.
4. Складирајте го алатот со поставен капак на сечилото во сува просторлија. Држете го подалеку од дофат на деца. Никогаш не складирајте го алатот на отворено.
5. Не фрлајте ги батериите во оган. Келијата може да експлодира. Проверете ги локалните прописи за можни упатства за специјален отпад.
6. Не отворајте ги и не уништувајте ги батериите. Електролитот што се ослободува е корозивен и може да предизвика оштетување на очите или кожата. Може да е токсичен ако се голтне.
7. Не полнете ја батеријата на дожд или на влажни места.

ЧУВАЈТЕ ГО УПАТСТВОТО.

▲ПРЕДУПРЕДУВАЊЕ: НЕ ДОЗВОЛУВАЈТЕ удобоста или познавањето на производот (стекнати со подолга употреба) да ве наведат да не се придржувате строго до безбедносните правила за овој производ. ЗЛОУПОТРЕБАТА или непочитувањето на безбедносните правила наведени во ова упатство може да предизвикаат тешка телесна повреда.

Безбедност на електричните делови и батеријата

1. Избегнувајте опасни средини. Не користете го алатот на влажни места и не изложувајте го на дожд. Ако навлезе вода во алатот, тоа може да го зголеми ризикот од струен удар.
2. Не фрлајте ги батериите во оган. Келијата може да експлодира. Проверете ги локалните прописи за можни упатства за специјален отпад.
3. Не отворајте ги и не уништувајте ги батериите. Електролитот што се ослободува е корозивен и може да предизвика оштетување на очите или кожата. Може да е токсичен ако се голтне.
4. Не полнете ја батеријата на дожд или на влажни места.
5. Не полнете ја батеријата надвор.
6. Не држете го полначот, вклучувајќи го и приклучокот за полначот и терминалите на полначот со влажни раце.

Одржување и чување

1. Исклучете го алатот и извадете ја касетата за батерија пред да извадете какво било одржување.
2. Кога го преместувате алатот на друго место, вклучувајќи и за време на работата, секогаш вадете ја касетата за батерија и поставувајте го капакот на сечилото на сечилата за стрижење. Никогаш не носете го ниту транспортирајте го алатот додека сечилата се во движење. Никогаш не фаќајте ги сечилата со вашите раце.

Важни безбедносни упатства за касетата за батеријата

1. Пред користење на касетата за батеријата, прочитајте ги сите упатства и ознаки за претпазливост на (1) полначот за батеријата, (2) батеријата и (3) производот што ја користи батеријата.
2. Не расклопувајте ја, ниту експериментирајте со касетата за батеријата. Тоа може да резултира со оган, прекумерна топлина или експлозија.
3. Ако оперативното времето станало прекумерно кратко, престанете веднаш со работа. Тоа може да резултира со ризик од прегревање, можни изгореници, па дури и експлозија.
4. Ако електролит навлезе во вашите очи, измијте ги со чиста вода и побарајте медицинска нега веднаш. Тоа може да резултира со губење на вашиот вид.
5. Не предизвикувајте спој на касетата за батеријата.
 - (1) Не допирајте ги контактите со никаков проводлив материјал.
 - (2) Избегнувајте да ја чувате касетата за батерија во сад со други метални предмети како што се шајки, монети и сл.
 - (3) На изложувајте ја касетата за батеријата на вода или дожд. Краткиот спој на батеријата може да предизвика голем проток на електрична енергија, прегревање, можни изгореници, па дури и пад на напојувањето.

6. Не складирајте и не користете ги алатот и касетата за батеријата на места каде што температурата може да достигне или надминува 50 °C (122 °F).
7. Не палете ја касетата за батеријата дури и кога е многу оштетена или целосно потрошена. Касетата за батеријата може да експлодира ако се стави во оган.
8. Не заковувајте ја, сечете ја, фрлајте ја, испуштајте ја касетата за батерија, ниту удирајте ја од тврд предмет касетата за батеријата. Таквото однесување може да резултира со оган, прекумерна топлина или експлозија.
9. Не користете оштетена батерија.
10. **Содржаните батерии со литумови јони се подложни на условите во Правилата за опасни предмети.** За комерцијален транспорт на пр. од трети лица и посредници, мора да се следат посебните услови на пакувањата или ознаките. При подготовка на предметот кој треба да се испрати, консултирајте се со експерт за опасни материјали. Исто така, следете ги потенцијално подеталните национални правила. Запелете ги со леплива лента или маскирајте ги отворените контакти, а батеријата спакувајте ја, така што нема да се движи слободно во пакувањето.
11. **Кога ја фрлате во отпад касетата за батеријата, извадете ја од алатот и фрлете ја на безбедно место. Почитувајте ги локалните законски прописи што се однесуваат на фрлање во отпад на батеријата.**
12. **Користете ги батериите само со производителите назначени од Makita.** Монтирањето батерии на неусогласените производи може да резултира со пожар, прекумерна топлина, експлозија или истекување на електролитот.
13. **Доколку алатот не се користи подолг временски период, батеријата мора да се извади од алатот.**
14. **Пред и по употребата, касетата за батеријата може да прими топлина што може да предизвика изгореници или изгореници од ниска температура. Внимавајте како ракувате со жешките касети за батерии.**
15. **Не допирајте го терминалот на алатот непосредно по употребата бидејќи може да се загрее доволно за да предизвика изгореници.**
16. **Не дозволувајте деланки, прав или земја да се заглават во терминалите, отворите и жлебовите на касетата за батерија.** Тоа може да предизвика греене, запалување, пукање и дефект на алатот или касетата за батерија, што ќе резултира со изгореници или телесна повреда.
17. **Освен ако алатката не поддржува употреба на електричните далноводи со висок напон во близина, не користете ја касетата за батерија во близина на електричните далноводи со висок напон.** Тоа може да резултира со дефект или пад на напојувањето на алатот или касетата за батерија.
18. **Држете ја батеријата подалеку од деца.**

ЧУВАЈТЕ ГО УПАТСТВОТО.

▲ВНИМАНИЕ: Користете само оригинални батерии на Makita. Користењето неоригинални батерии на Makita или батерии што се изменети може да резултира со распакување на батеријата, предизвикувајќи пожар, телесна повреда и оштетување. Тоа исто така ќе ја поништи гаранцијата на Makita за алатот и полначот на Makita.

Совети за одржување максимален работен век на батеријата

1. **Заменете ја касетата за батеријата пред целосно да се испразни.** Секогаш запирајте ја работата со алатот и заменете ја касетата за батеријата кога ќе забележите дека алатот дава помала моќност.
2. **Никогаш немојте да полните целосно полна касета за батерија.** Прекумерното полнење го скратува работниот век на батеријата.
3. **Полнете ја касетата за батеријата на собна температура од 10°C - 40°C.** Дозволете загреаната касета за батерија да се олади пред да ја ставите на полнење.
4. **Кога не ја користите касетата за батерија, извадете ја алатот или полначот.**
5. **Полнете ја касетата за батеријата доколку не ја користите подолго време (повеќе од шест месеци).**

ОПИС НА ФУНКЦИТЕ

▲ВНИМАНИЕ: Пред секое нагодување или проверка на алатот, проверувајте дали е исклучен и батеријата е извадена.

Монтирање или отстранување на касетата за батеријата

▲ВНИМАНИЕ: Секогаш исклучувајте го алатот пред ставањето или вадењето на касетата за батеријата.

▲ВНИМАНИЕ: Држете ги алатот и касетата за батеријата цврсто кога ја монтирате или вадите касетата за батеријата. Ако не ги држите цврсто алатот и касетата за батеријата, тие може да се лизнат од вашите раце и да дојде до нивно оштетување, како и до телесна повреда.

► **Сл.1:** 1. Црвен индикатор 2. Копче 3. Касета за батерија

За да ја извадите касетата за батеријата, повлечете ја од алатот додека го лизгате копчето на предната страна на касетата.

За монтирање на касетата за батерија, порамнете го јазичето на касетата за батерија со жлебот во кукиштето и лизнете го во место. Вметнете ја докрај додека не се блокира во место при што ќе се слушне звук. Ако можете да го видите црвениот индикатор како што е прикажано на сликата, не е целосно блокирана во место.

⚠ ВНИМАНИЕ: Секогаш монтирајте ја касетата за батеријата целосно додека црвениот индикатор не се изгасне. Во спротивно, може ненадејно да испадне од алатот предизвикувајќи ви повреда вам или на некој друг околу вас.




⚠ ВНИМАНИЕ: Немојте да ја монтирате касетата за батеријата на сила. Ако касетата не може да се лизне лесно, тоа значи дека не е поставена правилно.

Укажување на преостанатиот капацитет на батеријата

Само за батерии со индикатор

► **Сл.2:** 1. Индикаторски ламбички 2. Копче за проверка

Притиснете го копчето за проверка на касетата за батеријата за укажување на преостанатиот капацитет на батеријата. Индикаторските ламбички светнуваат неколку секунди.

Индикаторски ламбички			Преостанат капацитет
 Запалено	 Исклучено	 Трепка	
			75% до 100%
			50% до 75%
			25% до 50%
			0% до 25%
			Наполнете ја батеријата.
			Батеријата можеби е неисправна.
		↑ ↓	

НАПОМЕНА: Во зависност од условите на користење и амбиенталната температура, индикацијата може да се разликува во мала мера од реалниот капацитет.

НАПОМЕНА: Првата (најлево) ламбичка на индикаторот ќе трепка кога работи системот за заштита на батеријата.

Систем за заштита на алатот/ батеријата

ЗАБЕЛЕШКА: Зависно од условите на користење, алатот автоматски сопира без никаква индикација ако гранки или отпадоци се заплеткаат во него. Во овој случај, исклучете го алатот и извадете ја касетата за батерија, а потоа отстранете го заплетканите гранки или отпадоци користејќи алати како клешта. По отстранувањето на гранките или отпадоците, монтирајте ја касетата за батерија и повторно вклучете го алатот.

Алатот е опремен со систем за заштита на алатот/ батеријата. Овој систем автоматски го прекинува напојувањето на моторот за да го продолжи работниот век на алатот и на батеријата. Алатот автоматски ќе се исклучи за време на работењето ако тој или батеријата се најдат под еден од следниве услови:

Заштита од преоптоварување

Кога со алатот или батеријата се работи на начин што предизвикува повлекување прекумерно висока струја, алатот автоматски се исклучува. Во оваа ситуација, исклучете го алатот и прекинете ја апликацијата која предизвикала преоптоварување на алатот. Потоа, вклучете го алатот за да го рестартирате.

Заштита од прегревавање

Кога алатот или батеријата се прегреани, алатот автоматски запира. Во овој случај, оставете ги алатот и батеријата да се оладат пред повторно да го вклучите алатот.

Заштита од прекумерно празнење

Кога капацитетот на батеријата нема да биде доволен, алатот автоматски се исклучува. Во овој случај, извадете ја батеријата од алатот и наполнете ја.

Заштита од други причини

Системот за заштита исто така е дизајниран за други причини што може да го оштетат алатот и овозможува тој да запре автоматски. Преземете ги сите следни чекори за да ги отстраните причините кога алатот е доведен до привремено запирање или престанување на работата.

1. Исклучете го алатот и потоа повторно вклучете го за да се рестартира.
2. Наполнете ја батеријата(ите) или заменете ја/ ги со наполнета батерија(и).
3. Оставете ги машината и батеријата(ите) да се оладат.

Доколку не дојде до подобрување со враќање на системот за заштита, контактирајте со локалниот сервисен центар на Makita.

ЗАБЕЛЕШКА: Ако алатот сопре поради причина што не е опишана погоре, погледнете го делот за решавање проблеми.

Вклучување

⚠ ПРЕДУПРЕДУВАЊЕ: За ваша безбедност, овој алат е опремен со лост на прекинувачот кој спречува алатот да се вклучи ненамерно. НИКОГАШ не користете го алатот ако работи кога едноставно ќе го повлечете прекинувачот за стартување без притискање на лостот на прекинувачот. Вратете го алатот во нашиот овластен сервисен центар за соодветна поправка ПРЕД натамошна употреба.

⚠ ПРЕДУПРЕДУВАЊЕ: НИКОГАШ немојте да ја залепувате или да ја оневозможувате функцијата на лостот на прекинувачот.

⚠ ПРЕДУПРЕДУВАЊЕ: Пред монтирање на касетата за батеријата на алатот, секогаш проверувајте дали прекинувачот за стартување и лостот на прекинувачот се активираат правилно и дали се враќаат во положбата „OFF“ кога ќе се отпуштат. Ако работите со алат чиј прекинувач не работи исправно, може да дојде до загуба на контролата и тешка телесна повреда.

⚠ ВНИМАНИЕ: Никогаш не ставајте го прстот на прекинувачот при носење. Алатот може да се вклучи ненамерно и да предизвика повреда.

За да го стартувате алатот, држете ја предната рачка додека го притискате лостот на прекинувачот и повлечете го прекинувачот за стартување. За да го запрете алатот, отпуштете го прекинувачот за стартување или лостот на прекинувачот.

► **Сл.3:** 1. Предна рачка 2. Лост на прекинувачот 3. Прекинувач за стартување

Индикаторска ламбичка

► **Сл.4:** 1. Индикаторска ламбичка

Индикаторската ламбичка трепка или светнува кога батеријата ќе падне на ниско ниво или кога алатот е преоптоварен. Погледнете ја следнава табела за статусот и дејството што треба да се преземе.

Индикаторска ламбичка	Статус	Дејство што треба да се преземе
Ламбичката трепка црвено.	Преостанатата батерија е на ниско ниво.	Наполнете ја батеријата или заменете ја со наполнета.
Ламбичката светнува црвено.	Преостанатата батерија е празна.	Наполнете ја батеријата или заменете ја со наполнета.
	Алатот престана да работи поради преоптоварување.	Исклучете го алатот и отстранете ја причината на преоптоварувањето.
	Алатот престана да работи поради прегревање.	Исклучете го алатот и опладете ги алатот и батеријата.

НАПОМЕНА: Времето во кое индикаторската ламбичка трепка или светнува зависи од температурата во работната област и условите на касетата за батерија.

Електронска функција

Алатот е опремен со електронски функции за лесно работење.

- Контрола на постојаната брзина
Функцијата за контрола на постојаната брзина обезбедува константна брзина на ротација, без оглед на преоптовареноста.
- Електрична сопирачка
Алатот е опремен со електрична сопирачка. Ако алатот постојано не успева брзо да ги согре сечилата за стрижење по отпуштање на прекинувачот за стартување, однесете го алатот да се сервисира во овластен сервисен центар на Makita.
- Функција за спречување случајно рестартирање
Дури и ако монтирате касета за батерија додека го влечете прекинувачот за стартување, алатот нема да стартува. За вклучување на алатот, прво отпуштете го, па потоа повлечете го прекинувачот за стартување.

СОСТАВУВАЊЕ

⚠ ВНИМАНИЕ: Пред секое дотерување или проверка на алатот, секогаш проверувајте дали е исклучен и батеријата е извадена.

⚠ ВНИМАНИЕ: Кога ги заменува сечилата за стрижење, секогаш носете ракавици за да не дојдат рацете и лицето во директен допир со сечилата.

ЗАБЕЛЕШКА: Кога ги заменува сечилата за стрижење, не бришете ја маста од запченикот и курблата.

Монтирање или вадење на сечилата за стрижење

⚠ ВНИМАНИЕ: Прикачете го капакот за сечилото пред да ги извадите или монтирате сечилата за стрижење.

На вашиот алат може да монтирате сечила за стрижење од 500 мм или 600 мм.

1. Прикачете го капакот за сечилото на сечилата за стрижење.
► **Сл.5:** 1. Капак на сечилото
2. Поставете го алатот наопаку, потоа отстранете ги 6-те завртки и извадете ги капакот и плочата.
► **Сл.6:** 1. Завртка 2. Капак 3. Плоча

НАПОМЕНА: Плочата може да остане на капакот.

3. Свртете ја курблата со шрафцигерот со дупки така што 2-та отвори се во нормална положба со сечилата за стрижење.
► **Сл.7:** 1. Курбла 2. Отвор
4. Извадете 2 завртки, подлогата за филц и муфовите, а потоа извадете ги сечилата за стрижење.
► **Сл.8:** 1. Подлога од филц 2. Завртка 3. Муф 4. Сечила за стрижење
5. Извадете го капакот за сечилото, а потоа прикачете го на новите сечила за стрижење.
► **Сл.9:** 1. Капак на сечилото

6. Порамнете ги задните рабови на сечилата за стрижење како што е прикажано на сликата.

► **Сл.10:** 1. Заден раб

7. Нежно лизгајте ги задните рабови како што е прикажано на сликата и потоа прикачете ги ракавите на сечилата за стрижење.

► **Сл.11:** 1. Муф

8. Нежно лизгајте го капакот на сечилото кон врвот на сечилата за стрижење и потоа прикачете ги сечилата за стрижење на алатот.

► **Сл.12:** 1. Сечила за стрижење

ЗАБЕЛЕШКА: Нанесете мала количина масло на внатрешната периферија на отворот на сечилата за стрижење.

ЗАБЕЛЕШКА: Бидете внимателни да не ги изгубите ракавите.

9. Лизгајте ги сечилата за стрижење и ракавите така што отворите на ракавите се порамнети со отворите на алатот.

► **Сл.13:** 1. Отвор на алатот 2. Отвор на ракавот

10. Затегнете ги завртките за да ги фиксирате сечилата за стрижење.

► **Сл.14:** 1. Завртка

11. Прикачете ја подлогата од филц на сечилата за стрижење.

► **Сл.15:** 1. Подлога од филц

12. Прикачете ја плочата.

► **Сл.16:** 1. Плоча

13. Прикачете го капакот и потоа затегнете 6 завртки.

► **Сл.17:** 1. Завртка 2. Капак

ЗАБЕЛЕШКА: Ако сечилата за стрижење не се движат беспрекорно, тогаш тие не ја зафаќаат правилно курблата. Повторно монтирајте ги сечилата за стрижење.

ЗАБЕЛЕШКА: Ако има изабени делови што не се сечила за стрижење, како што е на пример курблата, побарајте замена или поправка на деловите од овластените сервисни центри на Makita.

Монтирање или вадење на примачот на деланки

Опционален додаток

ВНИМАНИЕ: Кога го монтирате или вадите примачот на деланки, секогаш носете ракавици за да не дојдат рацете и лицето во директен допир со сечилата за стрижење.

ЗАБЕЛЕШКА: Капакот за сечило не може да се монтира ако примачот на деланки е монтиран на алатот. Пред да го пренесувате или складирате алатот, демонтирајте го примачот на деланки и потоа монтирајте го капакот за сечилото за да избегнете изложување на сечилото.

ЗАБЕЛЕШКА: Вадете го капакот за сечилото пред да го монтирате примачот на деланки.

Примачот на деланки ги собира отфрлените листови и многу го олеснува понатамошното расчистување. Може да се монтира од двете страни на алатот.

1. Порамнете ги отворите на примачот на деланки со шрафовите на сечилата за стрижење.

► **Сл.18:** 1. Шраф

2. Закачете ги клештите на примачот на деланки за жлебот на сечилата за стрижење.

► **Сл.19:** 1. Стега 2. Жлеб

3. Притиснете ги лостовите на примачот на деланки, а потоа закачете ги клештите на другата страна на жлебот на сечилата за стрижење.

► **Сл.20:** 1. Лост

За да го извадите примачот на деланки, притиснете ги лостовите за да ги ослободите стегите.

► **Сл.21:** 1. Лост

ЗАБЕЛЕШКА: Никогаш не се обидувајте да го отстраните примачот на деланки употребувајќи прекумерна сила на неговите куки што се блокирани во сечилата за стрижење.

РАБОТЕЊЕ

ПРЕДУПРЕДУВАЊЕ: Држете ги рацете настрана од сечилата за стрижење.

ВНИМАНИЕ: Избегнувајте работа со алатот на многу топло време колку што е можно повеќе. Кога работите со алатот, внимавајте на вашата физичка состојба.

ВНИМАНИЕ: Внимавајте случајно да не допрете метална ограда или други тврди предмети за време на стрижењето. Сечилата за стрижење може да се скршат и да предизвикаат повреда.

ВНИМАНИЕ: Бидете внимателни и не доволувајте сечилата за стрижење да дојдат во допир со земјата. Алатот може да се врати назад и да предизвика повреда.

ВНИМАНИЕ: Пресегнувањето со фрезата за жива ограда, особено од скала, е многу опасно. Не работете качени на структура што се ниша или не е стабилна.

ЗАБЕЛЕШКА: Не обидувајте се да сечете гранки со дијаметар поголем од 10 мм со овој алат. Сечете ги гранките на 10 цм пониско од висината на сечењето со помош на сечачите за гранки пред да го употребите овој алат.

► **Сл.22:** (1) Висина на сечењето (2) 10 цм

ЗАБЕЛЕШКА: Не сечете исушени дрва или слични тврди предмети. Тоа може да го оштети алатот.

ЗАБЕЛЕШКА: Не стрижете трева или плевел додека ги користите сечилата за стрижење. Сечилата за стрижење може да се заплеткаат во тревата или плевелот.

Држете го алатот со двете раце, држете ја предната рачка додека го притискате лостот на прекинувачот, повлечете го прекинувачот за стартување и потоа придвижете го алатот напред.

► Сл.23

За основно работење, навалете ги сечилата за стрижење во насока на стрижењето и движете ги мирно и бавно со брзина од 3 до 4 секунди на метар.

► Сл.24

За рамномерно стрижење на живата ограда, врзете ја жицата на саканата висина на живата ограда и стрижете по нејзина должина.

► Сл.25

Ако примачот на деланки е прикачен на сечилата за стрижење, тој ги собира отфрлените листови и многу го олеснува подоцнежното расчистување.

► Сл.26

За рамномерно стрижење на страните на живата ограда, сечете од долу нагоре.

► Сл.27

Кога сакате да направите кружен облик (потстрижување зеленика или рододендрон, итн.), потстрижувајте од коренот до врвот за убава завршница.

► Сл.28

ОДРЖУВАЊЕ

⚠ВАЖНО: Пред секоја проверка или одржување, секогаш проверувајте дали алатот е исклучен и касетата за батеријата е извадена.

За да се одржи БЕЗБЕДНОСТА и СИГУРНОСТА на производот, поправките, одржувањата или дотерувањата треба да се вршат во овластени сервисни или фабрички центри на Makita, секогаш со резервни делови од Makita.

Чистење на алатот

Чистете го алатот, така што ќе ја бришете прашинаста од сува крпа или крпа натопена во сапуница, па исцедена.

ЗАБЕЛЕШКА: За чистење, не користете нафта, бензин, разредувач, алкохол или слично. Тие средства ја вадат бојата и може да предизвикаат деформации или пукнатини.

Одржување на сечилото за стрижење

Пред работењето или еднаш на час за време на работата, нанесете масло со ниска вискозност (масло за машини или масло за подмачкување во вид на спреј) на сечилата за стрижење.

► Сл.29

По работата, исчистете ја правта од двете страни на сечилата за стрижење со жичена четка, избришете ги со крпа и потоа нанесете доволна количина масло со ниска вискозност (масло за машини или масло за подмачкување во вид на спреј) на сечилата за стрижење.

► Сл.30

ЗАБЕЛЕШКА: Не мијте ги сечилата за стрижење во вода. Во спротивно, може да дојде до кородирање или оштетување на алатот.

ЗАБЕЛЕШКА: Нечистотијата и корозијата предизвикуваат прекумерно триење на сечилата и го намалуваат работното време на полната батерија.

Чување

Дупчето за закачување на дното од алатот е погодно за закачување на алатот на шајка или завртка на сидот. Прикачете го капакот за сечилото на сечилата за стрижење за да не бидат изложени. Складирајте го алатот надвор од дофат на деца. Складирајте го алатот на место што не е изложено на влага или дожд.

► Сл.31: 1. Отвор

Брусење на сечилата за стрижење

ЗАБЕЛЕШКА: Доколку сечилата за стрижење значително се деформирале со брусење, заменете ги со нови.

1. Монтирајте ја касетата за батерија на алатот.
2. Вклучете го и стартувајте го алатот така што горното и долното сечило се поставуваат наизменично.

► Сл.32

3. Исклучете го алатот и извадете ја касетата за батерија од него.
4. Поставете го аголот на турпијата на 35° и брусете го горното сечило од 2 насоки со турпијата.

► Сл.33: (1) Турпија (2) 35°

⚠ВАЖНО: Пред брусење на сечилата за стрижење, секогаш проверувајте дали алатот е исклучен и касетата за батеријата е извадена од алатот.

5. Поставете го алатот наопаку и потоа отстранете ја назабеноста од сечилата за стрижење со каменот за брусење.
- Сл.34: 1. Камен за брусење
6. Поставете го аголот на турпијата на 35° и брусете го долното сечило од 2 насоки со турпијата.
 7. Вратете го алатот во нормална положба и потоа отстранете ја назабеноста од сечилата за стрижење со каменот за брусење.

Подмачкување со масло

Интервал на подмачкување: на секои 50 часа работење

1. Извадете ја завртката од отворот за подмачкување.
- Сл.35: 1. Завртка
2. Извадете го капачето од садот со масло. Порамнете го излезниот отвор на садот со масло со отворот на капакот, а потоа свртете го садот со масло за да се прикачи излезниот отвор на садот со масло во отворот.
- Сл.36: 1. Сад со масло 2. Отвор
3. Нанесете масло на алатот (Приближно 3 г како насочувач).
 4. Извадете го садот со масло.
 5. Затегнете ја завртката.

РЕШАВАЊЕ ПРОБЛЕМИ

Пред да нарачате поправка, прво сами проверете ја состојбата. Ако најдете проблем што не е објаснет во упатството, не обидувајте се да го расклопите алатот. Наместо тоа, побарајте помош од овластените сервисни центри на Makita и секогаш користете делови за замена и поправка од Makita.

Состојба на аномалии	Можна причина (дефект)	Поправка
Моторот не работи.	Не е монтирана касетата за батеријата.	Монтирајте ја касетата за батеријата.
	Проблем со батеријата (под напон)	Повторно наполнете ја батеријата. Ако полнењето нема ефект, заменете ја батеријата.
	Погонскиот систем не работи правилно.	Побарајте помош од локален, овластен, сервисен центар за поправка.
Моторот запира со работа по краткотрајна употреба.	Нивото на наполнетост на батеријата е ниско.	Повторно наполнете ја батеријата. Ако полнењето нема ефект, заменете ја батеријата.
	Прегревање.	Запрете со користење на алатот за да оставите време да се излади.
Алатот не ги достигнува максималните вртежи во минута.	Батеријата е неправилно монтирана.	Монтирајте ја касетата за батеријата како што е опишано во прирачникот.
	Мокта на батеријата опаѓа.	Повторно наполнете ја батеријата. Ако полнењето нема ефект, заменете ја батеријата.
	Погонскиот систем не работи правилно.	Побарајте помош од локален, овластен, сервисен центар за поправка.
Сечилата за стрижење не се движат: ⇒ веднаш запрете ја машината!	Заглавени се туѓи предмети помеѓу сечилата за стрижење.	Исклучете го алатот и извадете ја касетата за батерија, а потоа отстранете ги туѓите предмети користејќи алати како клешта.
	Погонскиот систем не работи правилно.	Побарајте помош од локален, овластен, сервисен центар за поправка.
Абнормални вибрации: ⇒ веднаш запрете ја машината!	Сечилата за стрижење се скршени, извиткани или избени.	Заменете ги сечилата за стрижење.
	Погонскиот систем не работи правилно.	Побарајте помош од локален, овластен, сервисен центар за поправка.
Сечилата за стрижење и моторот не може да запрат: ⇒ веднаш извадете ја батеријата!	Електричен дефект.	Отстранете ја батеријата и побарајте го вашиот локален, овластен, сервисен центар за поправка.

ОПЦИОНАЛЕН ПРИБОР

⚠ ВНИМАНИЕ: Овој прибор или додатоци се препорачуваат за користење со алатот од Makita дефиниран во упатството. Со користење друг прибор или додатоци може да се изложите на ризик од телесни повреди. Користете ги приборот и додатоците само за нивната назначена намена.

Ако ви треба помош за повеќе детали за приборот, прашајте во локалниот сервисен центар на Makita.

- Скоп на сечилото за стрижење
- Капак на сечилото за стрижење
- Примач на деланки
- Сад со масло
- Оригинална батерија и полнач на Makita

НАПОМЕНА: Некои ставки на листата може да се вклучени со алатот како стандарден прибор. Тие може да се разликуваат од држава до држава.

ТЕХНИЧКИ ПОДАЦИ

Модел:	DUH506	DUH606
Дужина сечива	500 мм	600 мм
Број удара у минуту	4.000 мин ⁻¹	
Укупна дужина (Без батерије)	846 мм	965 мм
Номинални напон	DC 18 V	
Нето тежина	2,5 – 2,9 кг	2,7 – 3,0 кг

- На основу нашег непрестаног истраживања и развоја задржавамо право измена наведених техничких података без претходне најаве.
- Спецификације могу да се разликују у различитим земљама.
- Тежина може да се разликује у зависности од наставака, укључујући и уложак батерије. Најлакша и најтежа комбинација, према процедури ЕПТА 01/2014, приказане су у табели.

Применљив уложак батерије и пуњач

Уложак батерије	BL1815N / BL1820B / BL1830B / BL1840B / BL1850B / BL1860B
Пуњач	DC18RC / DC18RD / DC18RE / DC18SD / DC18SE / DC18SF / DC18SH / DC18WC

- Неки горенаведени улошци батерија и пуњачи можда неће бити доступни у зависности од места становања.

▲УПОЗОРЕЊЕ: Користите само горенаведене улошке батерије и пуњаче. Коришћење других уложака батерије и пуњача може узроковати повреде и/или пожар.





Препоручени извор напајања повезан каблом

Преносиво напајање	PDC01
--------------------	-------

- Извори напајања повезани каблом који су горенаведени можда неће бити доступни у зависности од вашег места становања.
- Пре него што користите извор напајања повезан каблом, прочитајте упутства и безбедносне ознаке на њему.

Симболи

У наставку су приказани симболи који се односе на опрему. Пре употребе се обавезно упознајте са њиховим значењем.

	Прочитајте упутство за употребу.
	Носите заштитне наочаре.
	ОПАСНОСТ – Руке држите даље од сечива.
	Не излажите алат влази.



Само за земље ЕУ
Због присуства штетних компонента у опреми, отпад од електричне и електронске опреме, акумулатора и батерија, може да има негативан утицај на животну средину и здравље људи. Не одлажите електричне и електронске уређаје или батерије са кућним отпадом! У складу са европском директивом о отпаду од електричне и електронске опреме и о акумулаторима и батеријама и отпаду од акумулатора и батерија, као и њеном прилагођавању националном закону, отпад од електричне и електронске опреме, батерија и акумулатора мора да се прикупи одвојено и достави одвојеном сабиралишту за комунални отпад који ради у складу са прописима о заштити животне средине. То означава симбол прецртане канте за смеће на опреми.



Гарантовани ниво звучне снаге у складу са ЕУ директивом о буци коју емитује опрема на отвореном простору.



Ниво звучне снаге у складу са уредбом о контроли буке у Аустралији, НЈВ

Намена

Алат је намењен за поткресивање живе ограде.

Бука

Примењиви стандард : EN62841-4-2

Модел	Ниво звучног притиска		Ниво снаге звука	
	L _{ра} (dB(A))	Толеранција К (dB (A))	L _{WA} (dB(A))	Толеранција К (dB (A))
DUN506	77	3	88	3
DUN606	79	3	90	3

НАПОМЕНА: Декларисане вредности емисије буке су измерене према стандардизованом мерном поступку и могу се користити за упоређивање алата.

НАПОМЕНА: Декларисана вредност емисије буке се такође може користити за прелиминарну процену изложености.

▲УПОЗОРЕЊЕ: Носите заштитне слушалице.

▲УПОЗОРЕЊЕ: Емисије буке током стварне примене електричног алата могу се разликовати од декларисане вредности у зависности од начина на који се користи алат, а посебно која врста предмета се обрађује.

▲УПОЗОРЕЊЕ: Уверите се да сте идентификовали безбедносне мере за заштиту руковаоца које су засноване на процени изложености у стварним условима употребе (узимајући у обзир све делове радног циклуса, као што је време рада уређаја, али и време када је алат искључен и када ради у празном ходу).

Вибрације

Укупна вредност вибрација (векторски збир по три осе) одређена је према стандарду EN62841-4-2:

Модел	Предња ручка		Задња ручка	
	ah (m/s ²)	Толеранција К (m/s ²)	ah (m/s ²)	Толеранција К (m/s ²)
DUN506	2,5 m/s ² или мања	1,5	2,5 m/s ² или мања	1,5
DUN606	2,5 m/s ² или мања	1,5	2,5 m/s ² или мања	1,5

НАПОМЕНА: Декларисане укупне вредности вибрација су измерене према стандардизованом мерном поступку и могу се користити за упоређивање алата.

НАПОМЕНА: Декларисане укупне вредности вибрација се такође могу користити за прелиминарну процену изложености.

▲УПОЗОРЕЊЕ: Вредност емисије вибрација током стварне примене електричног алата може се разликовати од декларисане вредности у зависности од начина на који се користи алат, а посебно која врста предмета се обрађује.

▲УПОЗОРЕЊЕ: Уверите се да сте идентификовали безбедносне мере за заштиту руковаоца које су засноване на процени изложености у стварним условима употребе (узимајући у обзир све делове радног циклуса, као што је време рада уређаја, али и време када је алат искључен и када ради у празном ходу).

ЕЗ декларација о усаглашености

Само за европске земље

ЕЗ декларација о усаглашености део је Додатка А у овом приручнику са упутствима.

БЕЗБЕДНОСНА УПОЗОРЕЊА

Општа безбедносна упозорења за електричне алате

▲ УПОЗОРЕЊЕ: Прочитајте сва безбедносна упозорења, упутства, илустрације и спецификације које су испоручене уз овај електрични алат. Непоштовање свих доле наведених безбедносних упутстава може изазвати електрични удар, пожар и/или озбиљну повреду.

Сачувајте сва упозорења и упутства за будуће потребе.

Термин „електрични алат“ у упозорењима односи се на електрични алат који се напаја из електричне мреже (каблом) или батерије (без кабла).

Сигурносна упозорења за бежични тример за живу ограду

1. Држите све делове тела даље од сечива. Немојте уклањати исечени материјал или држати материјал који сечете док се сечива покрећу. Сечива настављају да се крећу и након што се прекидач искључи. Један тренутак непажње током руковања тримером за живу ограду може да доведе до озбиљне повреде руковаоца.
2. Носите тример за живу ограду држећи га за ручку док је сечиво заустављено и водећи рачуна да не притиснете ниједан прекидач за укључивање. Адекватно ношење тримера за живу ограду смањује ризик од случајног покретања и телесних повреда од сечива.
3. Приликом транспорта или складиштења тримера за живу ограду увек ставите поклопац на сечива. Адекватно руковање тримером за живу ограду умањује ризик од телесних повреда од сечива.
4. Када чистите заглављени материјал или сервисирате уређај, уверите се да су сви прекидачи за укључивање искључени и да је батерија уклоњена или искључена. Неочекивано покретање тримера за живу ограду током чишћења заглављеног материјала или сервисирања може да доведе до тешких телесних повреда.
5. Тример за живу ограду држите искључиво за изоловане површине за хватање јер сечиво може да дође у додир са сакривеним електричним инсталацијама. Сечива која додирну струјни кабл могу да ставе под напон изложене металне делове тримера за живу ограду и изложе руковаоца струјном удару.
6. Све електричне каблове држите даље од области резања. Електрични каблови могу бити скривени у живици или жбуњу и можете случајно да их исечете сечивом.
7. Немојте да користите тример за живу ограду у лошим временским условима, нарочито када постоји ризик од удара грома. Тако смањујете опасност од удара грома.

8. Када тример за живу ограду предајете другој особи, поставите тример за живу ограду на земљу и подигните га након што у потпуности склоните руку. Додавање тримера за живу ограду руком резултира истовременим држањем предње и задње ручке, што доводи до ненамерног покретања тримера за живу ограду. Ненамерно покретање може да изазове тешке повреде.

Додатна безбедносна упутства

Припрема

1. Проверите да ли у живици и жбуњу постоје страни предмети, као што су жичане ограде или скривене жице, пре него што употребите овај алат.
2. Алат не смеју да користе деца или лица млађа од 18 година. Младе особе које имају више од 16 година могу да буду изузете од овог ограничења ако су прошле обуку под надзором стручњака.
3. Лицима која први пут употребљавају алат искусан корисник треба да покаже како да га користе.
4. Користите алат само ако сте у добром физичком стању. Ако сте уморни, пажња ће вам бити умањена. Будите посебно пажљиви пред крај радног дана. Сав рад обављајте мирно и пажљиво. Корисник је одговоран за сву штету нанету трећим лицима.
5. Никада не користите алат када сте под дејством алкохола, дрога или лекова.
6. Радне рукавице од отпорне коже представљају део основне опреме за алат и морају се увек носити приликом руковања њима. Такође носите чврсте ципеле са ђоновима који спречавају клизање.
7. Пре него што почнете са радом проверите да ли је алат у добром и исправном стању. Поставајте се да штитници буду правилно постављени. Алат се не сме користити уколико није у потпуности склопљен.

Рад

1. Чврсто држите алат са обе руке приликом руковања.
2. Предвиђено је да алат користи руковалац који је на нивоу земље. Не користите алат док сте на мердевинама или на некој другој нестабилној подлози.
3. ОПАСНОСТ - Држите шаке даље од сечива. Додир са сечивом може довести до озбиљне телесне повреде.
4. Немојте користити алат по киши или у мокрим или веома влажним условима. Електрични мотор није водоотпоран.
5. Поставајте се да имате сигуран ослонац под ногама пре него што почнете са радом.
6. Немојте непотребно руковати алатом без оптерећења.
7. Одмах искључите алат и уклоните уложак батерије уколико сечива маказа дођу у додир са оградом или другим чврстим предметом. Проверите да ли на сечивима има оштећења и одмах их замените уколико су оштећена.

8. Пре провере сечива маказа, уклањања кварова или материјала ухаћеног у сечивима маказа, увек искључите алат и скините уложак батерије.
9. Немојте никада упирати сечива маказа према себи или другима.
10. Ако сечива престану да се okreћу услед заглављивања страних предмета између сечива током рада, искључите алат и уклоните уложак батерије, па затим извадите страни предмет помоћу алата као што су клешта. Ако уклањате стране предмете руком, могуће су повреде услед тога што се сечива могу покренути када извадите страни предмет.

Заштита електричних инсталација и акумулатора

1. Избегавајте опасна окружења. Немојте користити алат на влажним или мокрим местима или га излагати киши. Вода која уђе у алат повећава ризик од струјног удара.
2. Батерије немојте бацати у ватру. Могле би да експлодирају. Проверите да ли локални закони предвиђају посебна упутства за одлагање.
3. Немојте да отварате или разбијате батерије. Ослобођени електролит је корозиван и може да повреди очи или кожу. Може да буде токсичан уколико се прогута.
4. Немојте да пуните батерију на киши или на влажним местима.
5. Немојте да пуните батерију на отвореном.
6. Не дирајте пуњач, укључујући утикач пуњача и прикључке пуњача мокрим рукама.

Одржавање и складиштење

1. Искључите алат и скините уложак батерије пре било каквих радова на одржавању.
2. Приликом пребацивања алата на неко друго место, па и током рада, увек скините уложак батерије и ставите поклопац на сечива маказа. Никада немојте да носите или транспортујете алат док се сечива покрећу. Никада не хватајте сечива рукама.
3. Очистите алат, а нарочито сечива маказа после употребе и пре складиштења алата на дуже временске периоде. Лагано науљите сечива маказа и ставите поклопац на њих.
4. Чувајте алат са постављеним поклопцем сечива у сувој просторији. Држите га ван домашаја деце. Никада немојте чувати алат напољу.
5. Батерије немојте бацати у ватру. Могле би да експлодирају. Проверите да ли локални закони предвиђају посебна упутства за одлагање.
6. Немојте отварати или разбијати батерије. Ослобођени електролит је корозиван и може повредити очи или кожу. Може да буде токсичан уколико се прогута.
7. Немојте да пуните батерију на киши или на влажним местима.

САЧУВАЈТЕ ОВО УПУТСТВО.

▲УПОЗОРЕЊЕ: НЕМОЈТЕ себи да дозволите да занемарите строга безбедносна правила која се односе на овај производ услед чињенице да сте производ добро упознали и стекли рутину у руковању њиме (услед честог коришћења). **НЕНАМЕНСКА УПОТРЕБА** или непоштовање безбедносних правила наведених у овом упутству могу довести до тешких телесних повреда.

Важна безбедносна упутства која се односе на уложак батерије

1. Пре употребе уложка батерије, прочитајте сва упутства и безбедносне ознаке на (1) пуњачу батерије, (2) батерији и (3) производу који користи батерију.
2. Не растављајте и не модификујте уложак батерије. Тиме можете да изазовете пожар, прекомерно загревање или експлозију.
3. Ако се време рада знатно скратило, одмах престаните са коришћењем. То може да доведе до ризика од прегревања, могућих опекотина, па чак и експлозије.
4. Ако електролит доспе у очи, исперите их чистом водом и одмах затражите помоћ лекара. То може да доведе до губитка вида.
5. Немојте да изазивате кратак спој уложка батерије:
 - (1) Немојте додиривати прикључке било којим проводним материјалом.
 - (2) Избегавајте складиштење уложка батерије у кутији са другим металним предметима као што ексери, новчићи итд.
 - (3) Немојте да излажете уложак батерије води или киши.
 Кратак спој батерије може да доведе до великог протока струје, прегревања, могућих опекотина, па чак и прегоривања.
6. Немојте да складиштите и користите алат и уложак батерије на местима где температура може да достигне или премаши 50 °C (122 °F).
7. Немојте да палите уложак батерије чак ни када је озбиљно оштећен или потпуно похабан. Уложак батерије може да експлодира у ватри.
8. Немојте да закивате, сечете, ломите, бацате или испуштате уложак батерије, или да њиме ударате по чврстој површини. На тај начин можете да изазовете пожар, прекомерно загревање или експлозију.
9. Немојте да користите оштећену батерију.
10. **Садржане литијум-јонске батерије подлежу Закону о превозу опасних материја.** Приликом комерцијалног превоза, нпр. од стране трећих лица и превозника, мора се обратити посебна пажња на специјалне захтеве паковања и обележавања. Приликом припреме материјала за превоз, потребно је саветовати се са стручњаком за опасне материје. Такође обратите пажњу на евентуалне даље националне прописе. Омотајте траком или прекријте отворене контакте и запакујте батерију тако да се не може померати унутар паковања.

- Када одлажете уложак батерије на отпад, извадите га из алата и одложите на безбедно место. Придржавајте се локалних прописа у вези са одлагањем батерије.
- Батерије користите само са произвођима које је навела компанија Makita. Постављање батерије на производе који нису усаглашени може да доведе до пожара, прекомерне топлоте, експлозије или цурења електролита.
- Ако се алат не користи током дужег периода, батерија мора да се извади из алата.
- Током и након коришћења, уложак батерије може да акумулира толико топлоте да то може довести до опекотина, уобичајених и нискотемпературних. Пажљиво рукујте врућим улошцима батерије.
- Не додирујте контакте алата одмах након коришћења јер су можда толико врући да могу да изазову опекотине.
- Водите рачуна да се струготина, прашина или земља не заглаве у контактима, рупицама и жлебовима улошка батерије. То може проузроковати загревање, запаљивање, пуцање и неисправност алата или улошка батерије, што може да доведе до опекотина или телесних повреда.
- Осим ако алат то не подржава, немојте да користите уложак батерије близу високонапонских разводних линија електричне струје. У супротном може доћи до квара или прегревања алата или улошка батерије.
- Држите батерију ван домаћаја деце.

САЧУВАЈТЕ ОВО УПУТСТВО.

ПАЖЊА: Користите само оригиналне Makita батерије. Коришћење Makita батерија које нису оригиналне или батерија које су измењене може да доведе до пуцања батерије, које може да изазове пожар, телесне повреде или штету. То ће такође поништити гаранцију компаније Makita за Makita алат и пуњач.

Савети за максимално трајање батерије

- Напуните уложак батерије пре него што се потпуно испразни. Сваки пут прекините рад са алатом и напуните уложак батерије када приметите да је снага алата слабија.
- Никада немојте да поново пуните потпуно напуњени уложак батерије. Препуњавање скраћује радни век батерије.
- Пуните уложак батерије на собној температури између 10°C и 40°C (између 50°F и 104°F). Сачекајте да се врући уложак батерије охлади пре пуњења.
- Када не користите уложак батерије, извадите га из алата или пуњача.
- Напуните уложак батерије ако га нећете користити дуже време (више од шест месеци).

ОПИС НАЧИНА ФУНКЦИОНИСАЊА

ПАЖЊА: Пре подешавања или провере функција алата увек проверите да ли је алат искључен и да ли је уложак батерије уклоњен.

Постављање и уклањање улошка батерије

ПАЖЊА: Увек искључите алат пре постављања или уклањања улошка батерије.

ПАЖЊА: Држите чврсто алат и уложак батерије када постављате или уклањате уложак батерије. Ако алат и уложак батерије не будете држали чврсто, могу вам исклизнути из руку, оштетити се при паду и повредити вас.

► **Слика1:** 1. Црвени индикатор 2. Дугме 3. Уложак батерије

Да бисте уклонили уложак батерије, клизањем га извучите из алата док клизањем померате дугме на предњој страни улошка. Да бисте поставили уложак батерије, поравнајте језичак на њему са жлебом на кућишту и гурните га на место. Гурните га до краја тако да легне на своје место и чује се тихо шкљоцање. Ако видите црвени индикатор као што је приказано на слици, уложак батерије није потпуно закључан.

ПАЖЊА: Увек до краја гурните уложак батерије тако да се црвени индикатор не види. У супротном, он случајно може испасти из алата и повредити вас или неку особу у вашој близини.

ПАЖЊА: Немојте на силу да постављате уложак батерије. Ако уложак не можете лако да гурнете, то значи да га не постављате исправно.

Приказ преосталог капацитета батерије

Само за улошке батерије са индикатором

► **Слика2:** 1. Индикаторске лампиче 2. Дугме за проверу
Притисните дугме за проверу на улошку батерије да бисте приказали преостали капацитет батерије. Индикаторске лампиче ће се укључити на неколико секунди.

Индикаторске лампиче			Преостали капацитет
Светли	Искључено	Трепће	
■ ■ ■ ■ ■	□ □ □ □ □	▬ ▬ ▬ ▬ ▬	Од 75% до 100%
■ ■ ■ ■ □	□ □ □ □ □	▬ ▬ ▬ ▬ ▬	Од 50% до 75%
■ ■ ■ □ □	□ □ □ □ □	▬ ▬ ▬ ▬ ▬	Од 25% до 50%
■ ■ □ □ □	□ □ □ □ □	▬ ▬ ▬ ▬ ▬	Од 0% до 75%
▬ □ □ □ □	□ □ □ □ □	▬ ▬ ▬ ▬ ▬	Напуните батерију.
■ ■ □ □ □	□ □ □ □ □	▬ ▬ ▬ ▬ ▬	Могуће је да је батерија постала неисправна.
□ □ □ □ □	■ ■ ■ ■ ■	▬ ▬ ▬ ▬ ▬	

НАПОМЕНА: У зависности од услова коришћења и температуре околине, приказани капацитет може донекле да се разликује од стварног.

НАПОМЕНА: Прва (крајња лева) индикаторска лампица трепери када систем за заштиту батерије ради.

Систем за заштиту алата/батерије

ОБАВЕШТЕЊЕ: У зависности од услова коришћења, алат се аутоматски зауставља без било каквих индикација ако су гране или остаци запетљани у алату. У том случају, искључите алат и уклоните уложак батерије, а затим уклоните запетљане гране или остатке помоћу алата, као што су клешта. Након уклањања грана или остатака, монтирајте уложак батерије и поново укључите алат.

Алат је опремљен системом за заштиту алата/батерије. Овај систем аутоматски прекида напајање мотора како би продужио век трајања алата и батерије. Алат ће се аутоматски зауставити током рада ако алат или батерија уђу у једно од следећих стања:

Заштита од преоптерећења

Када се алатом или батеријом рукује тако да се вуче превише струје, алат аутоматски престаје са радом. У овој ситуацији, искључите алат и престаните са употребом која је довела до преоптерећења алата. Затим укључите алат да бисте га поново покренули.

Заштита од прегревања

Када се алат или батерија прегреју, алат аутоматски престаје да ради. У овом случају, пустите да се алат и батерија охладе пре поновног укључивања алата.

Заштита од превеликог пражњења

Када капацитет батерије није довољан, алат аутоматски престаје с радом. У том случају, уклоните батерију из алата и напуните је.

Заштита од других узрока

Систем за заштиту је такође дизајниран за друге узроке коју могу да оштете алат и омогућава му аутоматско заустављање. Обавите све следеће кораке да бисте отклонили узроке када се алат привремено заустави или заустави током рада.

1. Искључите алат, а затим га укључите да бисте га поново покренули.
2. Напуните батерије или их замените напуњеним батеријама.
3. Сачекајте да се машина и батерије охладе.

Ако поновним успостављањем система за заштиту не долази до никаквих побољшања, обратите се локалном сервисном центру компаније Makita.

ОБАВЕШТЕЊЕ: Ако се алат заустави из разлога који није претходно описан, погледајте одељак о решавању проблема.

Функционисање прекидача

▲УПОЗОРЕЊЕ: Ради ваше безбедности, овај алат је опремљен полугом прекидача која спречава ненамерно покретање алата. НИКАДА немојте користити овај алат ако се покреће при самом повлачењу окидача прекидача без притискања полуге прекидача. ПРЕ даље употребе вратите алат сервисном центру ради адекватне поправке.

▲УПОЗОРЕЊЕ: НИКАДА немојте да лепите траком полугу прекидача или да мењате њену сврху и функцију.

▲УПОЗОРЕЊЕ: Пре постављања улошка батерије у алат, увек проверите да ли окидач прекидача и полуга прекидача раде правилно и да ли се након отпуштања враћају у положај „OFF“ (искључено). Рад са алатом на којем прекидач не функционише правилно може да доведе до губитка контроле и тешких телесних повреда.

▲ПАЖЊА: Немојте никад држати прст на прекидачу приликом ношења алата. Алат се може ненамерно покренути и изазвати повреде.

Да бисте укључили алат, држите предњу ручку док притискате полугу прекидача и повуците окидач прекидача. Да бисте зауставили алат, отпустите окидач прекидача или полугу прекидача.

- **Слика3:** 1. Предња ручка 2. Полуга прекидача 3. Окидач прекидача

Индикаторска лампица

- **Слика4:** 1. Индикаторска лампица

Индикаторска лампица трепери или светли када се батерија испразни или је алат преоптерећен. Погледајте следећу табелу да бисте видели статус и радње које се предузимају.

Индикаторска лампица	Статус	Радње које треба предузети
Лампица трепери црвеном бојом.	Преостали капацитет батерије је врло мали.	Напуните батерију или је замените напуњеном.
Лампица светли црвеном бојом.	Батерија је празна.	Напуните батерију или је замените напуњеном.
	Алат се зауставио јер је преоптерећен.	Искључите алат и уклоните узрок преоптерећења.
	Алат се зауставио јер је прегрејан.	Искључите алат и оставите да се алат и батерија охладе.

НАПОМЕНА: Време у које ће индикаторска лампица треперити или у које ће се упалити зависи од температуре око подручја рада и улошка батерије.

Електронска функција

Алат је опремљен електронским функцијама за једноставно управљање.

- Регулатор константне брзине
Функција управљања брзином омогућава константну брзину ротације без обзира на оптерећење.
- Електрична кочница
Алат је опремљен електричном кочницом. Ако после отпуштања окидача прекидача алат редовно не успева да брзо заустави сечива маказа, сервисирајте га у најближем овлашћеном сервисном центру Makita.
- Функција за спречавање случајног укључивања
Алат се не покреће чак ни када се уложак батерије постави уз истовремено повлачење окидача прекидача. Да бисте покренули алат, најпре отпустите окидач прекидача, а затим га повуците.

СКЛАПАЊЕ

ПАЖЊА: Пре обављања било каквог посла на алату увек проверите да ли је он искључен и да ли је уложак батерије уклоњен.

ПАЖЊА: Приликом замене сечива маказа, увек носите рукавице да руке не би дошле у директан контакт са сечивима.

ОБАВЕШТЕЊЕ: Приликом замене сечива маказа, немојте брисати траву са запчаника и обртне ручице.

Постављање и уклањање сечива маказа

ПАЖЊА: Поставите поклопац сечива пре уклањања или постављања сечива маказа.

На алат можете да монтирате сечива маказа величине 500 мм или 600 мм.

1. Поставите поклопац сечива на сечива маказа.

► **Слика5:** 1. Поклопац сечива

2. Поставите алат наопако, затим уклоните 6 вијака, па онда уклоните поклопац и плочу.

► **Слика6:** 1. Вијак 2. Поклопац 3. Плоча

НАПОМЕНА: Плочица може да остане на поклопцу.

3. Окрените обртну ручицу помоћу одвијача са равним врхом тако да 2 отвора буду под нормалним углом у односу на сечива маказа.

► **Слика7:** 1. Обртна ручица 2. Отвор

4. Скините 2 завртња, плочу обложену филцом и наглавке, а затим скините сечива маказа.

► **Слика8:** 1. Плоча обложена филцом 2. Вијак 3. Наглавак 4. Сечива маказа

5. Уклоните поклопац сечива, а затим га поставите на нова сечива маказа.

► **Слика9:** 1. Поклопац сечива

6. Поравнајте задње ивице сечива маказа као што је приказано на слици.

► **Слика10:** 1. Задње ивице

7. Лагано гурните сечива маказа као што је приказано на слици, а затим причврстите наглавке на сечива маказа.

► **Слика11:** 1. Наглавак

8. Повуците поклопац сечива лагано према врху сечива маказа, а затим причврстите сечива маказа на алат.

► **Слика12:** 1. Сечива маказа

ОБАВЕШТЕЊЕ: Нанесите малу количину мазива на унутрашњи обод отвора сечива маказа.

ОБАВЕШТЕЊЕ: Водите рачуна да не изгубите наглавке.

9. Гурните сечива маказа и наглавке тако да отвори на наглавцима буду у равни са отворима на алату.

► **Слика13:** 1. Отвор на алату 2. Отвор на наглавку

10. Затегните вијке да бисте фиксирали сечива маказа.

► **Слика14:** 1. Вијак

11. Поставите плочу обложену филцом на сечива маказа.

► **Слика15:** 1. Плоча обложена филцом

12. Поставите плочу.

► **Слика16:** 1. Плоча

13. Поставите поклопац, а затим затегните 6 вијака.

► **Слика17:** 1. Вијак 2. Поклопац

ОБАВЕШТЕЊЕ: Ако се сечива маказа не померају несметано, сечива маказа нису исправно повезана са обртном ручицом. Поново поставите сечива маказа.

ОБАВЕШТЕЊЕ: Ако се неки други делови осим сечива маказа похабају, на пример, обртна ручица, затражите заменске делове или поправку у овлашћеним сервисним центрима компаније Makita.

Постављање или уклањање прихватача отпадака

Опциони додатни прибор

ПАЖЊА: Приликом постављања или замене прихватача отпадака, увек носите рукавице да руке не би дошле у директан контакт са сечивима маказа.

ОБАВЕШТЕЊЕ: Поклопац сечива не може да се постави ако је прихватач отпадака монтиран на алат. Пре преношења или складиштења алата, демотирајте прихватач отпадака, а затим монтирајте поклопац сечива да сечива не би била откривена.

ОБАВЕШТЕЊЕ: Обавезно уклоните поклопац сечива пре монтирања прихватача отпадака.

Прихватач отпадака прикупља одбачено лишће и тиме олакшава касније чишћење. Можете је поставити на било коју страну алата.

1. Поравнајте отворе на прихватачу отпадака са завртњима на сечивима маказа.

► **Слика18:** 1. Завртањ

2. Закачите куку прихватача отпадака на жлеб на сечивима маказа.

► **Слика19:** 1. Кука 2. Жлеб

3. Притисните полуге на прихватачу отпадака, па затим закачите куке са друге стране жлеба на сечивима маказа.

► **Слика20:** 1. Полука

За скидање прихватача отпадака притисните полуге тако да се куке одблокирају.

► **Слика21:** 1. Полука

ОБАВЕШТЕЊЕ: Никада не покушавајте да на силу скинете прихватач отпадака док су му куке блокиране у сечивима маказа.

РАД

▲ УПОЗОРЕЊЕ: Држите шаке даље од сечива маказа.

▲ ПАЖЊА: Избегавајте да рукујете алатом по веома топлом времену колико год је то могуће. Када рукујете алатом водите рачуна о свом физичком стању.

▲ ПАЖЊА: Водите рачуна да случајно не додирнете металну ограду или друге чврсте предмете током подрезивања. Сечива маказа могу да се сломе и изазову повреду.

▲ ПАЖЊА: Водите рачуна да не дозволите да сечива маказа дођу у додир са тлом. Алат се може сломити и изазвати повреду.

▲ ПАЖЊА: Протезање са тримером за живу ограду, посебно са мердевина, је изузетно опасно. Немојте радити док стојите на површини која је несигурна или нестабилна.

ОБАВЕШТЕЊЕ: Не покушавајте да овим алатом сечете гране чији је пречник већи од 10 мм. Режите гране на висину 10 цм мању од висине сечења користећи секаче за гране пре употребе алата.

► **Слика22:** (1) Висина сечења (2) 10 цм

ОБАВЕШТЕЊЕ: Не сеците осушено дрвеће или сличне чврсте предмете. То може да оштети алат.

ОБАВЕШТЕЊЕ: Немојте да подрезујете траву или коров користећи сечиво маказа. Сечива маказа могу да се упетљају у траву или корове.

Држите алат обема рукама, држите предњу ручку док притискате полуку прекидача и повуците окидач прекидача, а затим померите алат према напред.

► **Слика23**

За основни рад нагните сечива маказа у смеру подрезивања и смирено и полако их померајте брзином од 3 до 4 секунде по метру.

► **Слика24**

Да бисте подједнако подрезивали живу ограду, вежите канап на жељеној висини и подрезујте уз њега.

► **Слика25**

Ако је прихватач отпадака постављен на сечива маказа, он прикупља одбачено лишће и тиме олакшава касније чишћење.

► **Слика26**

Да бисте равномерно исекли бочну страну живе ограде, сеците од дна према врху.

► **Слика27**

Ако опсецањем желите да направите заобљени облик (шимшир или рододендрон итд.), сеците од корена ка врху да бисте добили лепу завршну обраду.

► **Слика28**

ОДРЖАВАЊЕ

▲ ПАЖЊА: Пре него што почнете с прегледом или одржавањем алата, искључите алат и уклоните уложак батерије.

БЕЗБЕДАН и ПОУЗДАН рад алата гарантујемо само ако поправке, свако друго одржавање или подешавање, препустите овлашћеном сервису компаније Makita или фабричком сервису, уз употребу оригиналних резервних делова компаније Makita.

Чишћење алата

Алат чистите тако што ћете пребрисати прашину сувом тканином или тканином натопљеном сапуницом и исцеђеном.

ОБАВЕШТЕЊЕ: Никад немојте да користите нафту, бензин, разређивач, алкохол и слична средства. Може доћи до губитка боје, деформације или оштећења.

Одржавање сечива маказа

Пре коришћења или на сваких сат времена током рада, нанесите уље ниске вискозности (машинско уље или уље за подмазивање у спреју) на сечива маказа.

► **Слика29**

Након рада, жичаном четком уклоните прашину са обе стране сечива маказа, пребришите их крпом, а затим на њих нанесите уље ниске вискозности (машинско уље или уље за подмазивање у спреју).

► **Слика30**

ОБАВЕШТЕЊЕ: Немојте прати сечива маказа водом. Тако може да дође до корозије или оштећења алата.

ОБАВЕШТЕЊЕ: Прљавштина и корозија доводе до прекомерног трења сечива и скраћују време рада по пуњењу акумулатора.

Чување

Отвор за куку на доњем делу алата је погодан за качење алата на ексер или завртањ на зиду. Поставите поклопац сечива на сечива маказа тако да сечива не буду изложена. Чувајте алат изван домаћаја деце. Чувајте алат на месту које није изложено влази и киши.

► **Слика31:** 1. Отвор

Брушење сечива маказа

ОБАВЕШТЕЊЕ: Ако су се сечива маказа значајно деформисала од брушења, замените их новим.

1. Поставите уложак батерије у алат.
2. Укључите и покрените алат тако да су горња и доња сечива постављена наизменично.

► **Слика32**

3. Искључите алат и уклоните уложак батерије из њега.

4. Подесите угао турпије на 35° и брусите горње сечиво из 2 правца помоћу турпије.

► **Слика33:** (1) Турпија (2) 35°

⚠ ПАЖЊА: Пре брушења сечива маказа, уверите се да је алат искључен и да је уложак батерије извађен из алата.

5. Поставите алат наопако, а затим уклоните опилке са сечива маказа помоћу брусног камена.

► **Слика34:** 1. Брусни камен

6. Подесите угао турпије на 35° и брусите доње сечиво из 2 правца помоћу турпије.

7. Поставите алат у нормалан положај, а затим уклоните опилке са сечива маказа помоћу брусног камена.

Мазиво

Учесталост подмазивања: На сваких неколико (50) сати рада

1. Уклоните вијак из отвора ради подмазивања.

► **Слика35:** 1. Вијак

2. Скините поклопац са тубе са мазивом. Поравнајте отвор на туби са мазивом са отвором на поклопцу, а затим окрените тубу са мазивом да бисте причврстили отвор на туби са мазивом у отвор.

► **Слика36:** 1. Туба са мазивом 2. Отвор

3. Нанесите мазиво у алат (око 3 г као референца).

4. Скините тубу са мазивом.

5. Притегните вијак.

РЕШАВАЊЕ ПРОБЛЕМА

Пре него што затражите поправку, најпре сами извршите преглед. Уколико наиђете на проблем који није објашњен у упутству, не покушавајте да расклопите алат. Уместо тога тражите поправке од овлашћених сервисних центара Makita и увек користите оригиналне Makita резервне делове приликом поправки.

Неисправно стање	Вероватан узрок (квар)	Отклањање квара
Мотор не ради.	Уложак батерије није постављен.	Поставите уложак батерије.
	Проблем са батеријом (поднапол)	Поново напуните батерију. Ако пуњење не буде успешно, замените батерију.
	Погонски систем не ради како треба.	Затражите поправку од свог локалног овлашћеног сервисног центра.
Мотор престаје са радом после кратке употребе.	Ниво напуњености батерије је низак.	Поново напуните батерију. Ако пуњење не буде успешно, замените батерију.
	Прегревавање.	Престаните да користите алат да би се он охладио.
Алат не постиже максимални број обртаја по минути.	Батерија није правилно постављена.	Поставите уложак батерије као што је описано у овом приручнику.
	Снага батерије опада.	Поново напуните батерију. Ако пуњење не буде успешно, замените батерију.
	Погонски систем не ради како треба.	Затражите поправку од свог локалног овлашћеног сервисног центра.
Сечива маказа се не мењају: ⇒ одмах зауставите машину!	Страни предмети су ухваћени у сечива маказа.	Искључите алат и уклоните уложак батерије, а затим уклоните стране предмете помоћу алата као што су клешта.
	Погонски систем не ради како треба.	Затражите поправку од свог локалног овлашћеног сервисног центра.
Необичне вибрације: ⇒ одмах зауставите машину!	Сечива маказа су поломљена, савијена или похабана.	Замените оштрице маказа.
	Погонски систем не ради како треба.	Затражите поправку од свог локалног овлашћеног сервисног центра.
Сечива маказа и мотор не могу да се зауставе: ⇒ Одмах уклоните батерију!	Електрични квар.	Уклоните батерију и затражите поправку од локалног овлашћеног сервисног центра.

ОПЦИОНИ ПРИБОР

⚠ ПАЖЊА: Ова опрема и прибор су предвиђени за употребу са алатом Makita описаним у овом упутству за употребу. Употреба друге опреме и прибора може да доведе до повреда. Користите делове прибора или опрему искључиво за предвиђену намену.

Да бисте добили више детаља у вези са овим прибором, обратите се локалном сервисном центру компаније Makita.

- Склоп сечива маказа
- Поклопац сечива маказа
- Прихватач отпадака
- Туба са мазивом
- Makita оригинална батерија и пуњач

НАПОМЕНА: Поједине ставке на листи могу бити укључене у садржај паковања алата као стандардна опрема. Оне се могу разликовати од земље до земље.

SPECIFICAȚII

Model:	DUH506	DUH606
Lungime lamă	500 mm	600 mm
Curse pe minut	4.000 min ⁻¹	
Lungime totală (fără acumulator)	846 mm	965 mm
Tensiune nominală	18 V cc.	
Greutate netă	2,5 - 2,9 kg	2,7 - 3,0 kg

- Datorită programului nostru continuu de cercetare și dezvoltare, specificațiile pot fi modificate fără o notificare prealabilă.
- Specificațiile pot varia în funcție de țară.
- Greutatea poate diferi în funcție de accesoriu(ii), inclusiv cartușul acumulatorului. În tabel se prezintă combinația cea mai ușoară și cea mai grea, conform Procedurii EPTA 01/2014.

Cartușul acumulatorului și încărcătorul aplicabile

Cartușul acumulatorului	BL1815N / BL1820B / BL1830B / BL1840B / BL1850B / BL1860B
Încărcător	DC18RC / DC18RD / DC18RE / DC18SD / DC18SE / DC18SF / DC18SH / DC18WC

- Este posibil ca unele cartușe ale acumulatorilor și încărcătoare menționate mai sus să nu fie disponibile în funcție de regiunea dvs. de reședință.

⚠️ AVERTIZARE: Utilizați numai cartușele de acumulator și încărcătoarele enumerate mai sus. Utilizarea oricărui altor cartușe de acumulator și încărcătoare poate duce la rănire și/sau incendii.





Sursă de alimentare cu conectare prin cablu recomandată

Bloc de alimentare portabil	PDC01
-----------------------------	-------

- Este posibil ca sursa/sursele de alimentare cu conectare prin cablu menționată(e) mai sus să nu fie disponibilă(e) în funcție de regiunea dumneavoastră de reședință.
- Înainte de a utiliza sursa de alimentare cu conectare prin cablu, citiți instrucțiunile și atenționările de pe aceasta.

Simboluri

Mai jos sunt prezentate simbolurile care pot fi utilizate pentru echipament. Asigurați-vă că înțelegeți sensul acestora înainte de utilizare.

	Citiți manualul de utilizare.
	Purtați echipament de protecție pentru ochi.
	PERICOL - Țineți mâinile la distanță de lamă.
	Nu expuneți la umezeală.



Doar pentru țările din cadrul UE
Din cauza prezenței componentelor periculoase în echipament, deșeurile de echipamente electrice și electronice, acumulatorii și bateriile pot avea un efect negativ asupra mediului și sănătății umane.

Nu eliminați aparatele electrice și electronice sau bateriile împreună cu gunoierul menajer! În conformitate cu Directiva europeană privind deșeurile de echipamente electrice și electronice, acumulatorii, bateriile și deșeurile de acumulatori și baterii, precum și cu adaptarea sa în legislația națională, deșeurile de echipamente electrice, de baterii și de acumulatori trebuie depozitate separat și eliminate la un centru de colectare separat pentru deșeurile municipale, care respectă reglementările privind protecția mediului. Acest lucru este indicat prin simbolul care reprezintă o pubeză cu roți barată cu o cruce, aplicat pe echipament.



Nivel de putere acustică garantat în conformitate cu Directiva UE privind zgomotul emis de echipamentele utilizate în exterior.



Nivel de putere acustică în conformitate cu Regulamentul NSW al Australiei privind atenuarea zgomotului

Destinația de utilizare

Unealta este destinată tunderii gardurilor vii.

Zgomot

Standard aplicabil : EN62841-4-2

Model	Nivel de presiune acustică		Nivel de putere acustică	
	L_{pA} (dB (A))	Marjă de eroare K (dB (A))	L_{WA} (dB (A))	Marjă de eroare K (dB (A))
DUH506	77	3	88	3
DUH606	79	3	90	3

NOTĂ: Valoarea (valorile) totală(e) a (ale) emisiilor de zgomot declarate a(u) fost măsurată(e) în conformitate cu o metodă de test standard și poate (pot) fi utilizată(e) pentru compararea unei uneelte cu alta.

NOTĂ: Valoarea (valorile) totală(e) a (ale) emisiilor de zgomot declarate poate (pot) fi, de asemenea, utilizată(e) într-o evaluare preliminară a expunerii.

⚠️ AVERTIZARE: Purtați echipament de protecție pentru urechi.

⚠️ AVERTIZARE: Emisiile de zgomot în timpul utilizării efective a unelei electrice poate diferi de valoarea (valorile) nivelului declarat, în funcție de modul în care unealta este utilizată, în special ce fel de piesă este prelucrată.

⚠️ AVERTIZARE: Asigurați-vă că identificați măsurile de siguranță pentru a proteja operatorul, acestea fiind bazate pe o estimare a expunerii în condiții reale de utilizare (luând în considerare toate părțile ciclului de operare, precum timpii în care unealta a fost oprită, sau a funcționat în gol, pe lângă timpul de declanșare).

Vibrații

Valoarea totală a vibrațiilor (suma vectorilor tri-axiali) determinată conform EN62841-4-2:

Model	Mâner frontal		Mâner spate	
	ah (m/s^2)	Marjă de eroare K (m/s^2)	ah (m/s^2)	Marjă de eroare K (m/s^2)
DUH506	2,5 m/s^2 sau mai puțin	1,5	2,5 m/s^2 sau mai puțin	1,5
DUH606	2,5 m/s^2 sau mai puțin	1,5	2,5 m/s^2 sau mai puțin	1,5

NOTĂ: Valoarea (valorile) totală(e) a (ale) nivelului de vibrații declarat a (au) fost măsurată(e) în conformitate cu o metodă de test standard și poate (pot) fi utilizată(e) pentru compararea unei uneelte cu alta.

NOTĂ: Valoarea (valorile) totală(e) a (ale) nivelului de vibrații declarat poate (pot) fi, de asemenea, utilizată(e) într-o evaluare preliminară a expunerii.

⚠️ AVERTIZARE: Nivelul de vibrații în timpul utilizării efective a unelei electrice poate diferi de valoarea (valorile) nivelului declarat, în funcție de modul în care unealta este utilizată, în special ce fel de piesă este prelucrată.

⚠️ AVERTIZARE: Asigurați-vă că identificați măsurile de siguranță pentru a proteja operatorul, acestea fiind bazate pe o estimare a expunerii în condiții reale de utilizare (luând în considerare toate părțile ciclului de operare, precum timpii în care unealta a fost oprită, sau a funcționat în gol, pe lângă timpul de declanșare).

Declarație de conformitate CE

Numai pentru țările europene

Declarația de conformitate CE este inclusă ca Anexa A în acest manual de instrucțiuni.

AVERTIZĂRI DE SIGURANȚĂ

Avertismente generale de siguranță pentru mașinile electrice

⚠️ AVERTIZARE: Citiți toate avertismentele privind siguranța, instrucțiunile, ilustrațiile și specificațiile furnizate cu această sculă electrică. Nerespectarea integrală a instrucțiunilor de mai jos poate cauza electrocutări, incendii și/sau vătămări corporale grave.

Păstrați toate avertismentele și instrucțiunile pentru consultări ulterioare.

Termenul „mașină electrică” din avertizări se referă la mașinile dumneavoastră electrice acționate de la rețea (prin cablu) sau cu acumulator (fără cablu).

Avertizări de siguranță pentru mașina de tuns gardul viu fără cablu

- Țineți-vă toate părțile corpului departe de lamă.** Când lamele sunt în mișcare, nu îndepărtați materialul tăiat sau nu țineți materialul care va fi tăiat. Lamele continuă să se miște după ce opriți întrerupătorul. Un moment de neatenție în timpul utilizării mașinii de tuns gardul viu poate cauza răni grave.
- Transportați mașina de tuns gardul viu ținând de mâner, cu lama oprită și având grijă să nu acționați comutatorul de alimentare.** Transportarea corespunzătoare a mașinii de tuns gardul viu va reduce riscul de pomire accidentală și accidentările ulterioare cauzate de lame.
- Când transportați sau depozitați mașina de tuns gardul viu, montați întotdeauna capacul lamelor.** Manipularea corectă a mașinii de tuns gardul viu va reduce riscul de accidentări din cauza lamelor.
- Atunci când curățați materialul blocat sau efectuați lucrări de service pe mașină, nu uitați să opriți toate comutatoarele de alimentare și să scoateți sau să deconectați acumulatorul.** Acționarea accidentală a mașinii de tuns gardul viu în timp ce curățați materialul blocat sau efectuați lucrări de service poate provoca accidentări grave.
- Țineți mașina de tuns gardul viu doar de suprafețele de prindere izolate, deoarece lama poate intra în contact cu fire ascunse.** Contactul lamei cu un cablu aflat sub tensiune poate pune sub tensiune piesele metalice expuse ale mașinii de tuns gardul viu și poate provoca electrocutarea operatorului.
- Țineți toate cablurile de alimentare și alte cabluri departe de zona de tăiere.** Cablurile de alimentare și celelalte cabluri pot fi ascunse în gardurile vii sau în tufișuri, iar lama le poate tăia accidental.

- Nu utilizați mașina de tuns gardul viu în condiții de vreme nefavorabilă, în special când există riscul de descărcări electrice.** Astfel se reduce riscul de expunere la descărcări electrice.
- Când înmânați mașina de tuns gardul viu unei alte persoane, mai întâi așezați mașina de tuns gardul viu jos și ridicați-o după ce ați luat complet mâna de pe ea.** Dacă înmânați direct mașina de tuns gardul viu și țineți cu mâna atât mânerul din față, cât și mânerul din spate în același timp, mașina de tuns gard viu poate să pornească accidental. Pornirea accidentală poate provoca vătămări grave.

Instrucțiuni de siguranță suplimentare

Pregătire

- Verificați dacă există obiecte străine în gardurile vii și în tufișuri, cum ar fi garduri de sârmă sau fire ascunse, înainte de a utiliza mașina.**
- Mașina nu trebuie folosită de copii sau adolescenți cu vârstă mai mică de 18 ani.** Adolescenții cu vârstă mai mare de 16 ani pot fi excepția de la această restricție în cazul în care beneficiază de instrucții sub supravegherea unui expert.
- Cei care utilizează pentru prima dată mașina ar trebui să lucreze împreună cu un utilizator cu experiență care să le arate cum să o folosească.**
- Utilizați mașina numai dacă vă aflați într-o stare fizică bună.** Dacă sunteți obosit(ă), atenția va fi redusă. Fiți atent(ă), în special, la finalul zilei de muncă. Executați fiecare lucrare cu calm și cu atenție. Utilizatorul este responsabil pentru toate distrugerile provocate unor terțe părți.
- Nu utilizați niciodată mașina sub influența alcoolului, drogurilor sau medicamentelor.**
- Mănușile de lucru din piele rezistentă sunt componente ale echipamentului de bază al mașinii și trebuie să fie purtate întotdeauna în timpul utilizării acesteia.** De asemenea, purtați încălțăminte rezistentă și cu tălpi antiderapante.
- Înainte de a începe lucrul, verificați mașina pentru a vă asigura că este în stare bună și sigură de funcționare.** Asigurați-vă că apărătorile sunt montate corect. Mașina nu trebuie utilizată dacă nu este complet asamblată.

Operarea

- Țineți bine mașina cu ambele mâini atunci când o utilizați.**
- Mașina este concepută pentru a fi utilizată la nivelul solului de către operator.** Nu utilizați mașina pe scări sau pe alte suporturi instabile.
- PERICOL - Țineți mâinile la distanță de lamă.** Contactul cu lama poate cauza vătămări corporale grave.
- Nu utilizați mașina în condiții de ploaie, umiditate sau de umezeală foarte ridicată.** Motorul electric nu este etanș la apă.
- Înainte de utilizare, asigurați-vă că aveți o bază sigură de sprijinire a picioarelor.**
- Nu acționați unealta în gol în mod inutil.**
- Oprți imediat mașina și scoateți cartușul acumulatorului în cazul în care lamele de foarfecă intră în contact cu un gard sau cu un alt obiect dur.** Verificați lamele și, dacă sunt deteriorate, înlocuiți-le imediat.

8. Înainte de a verifica lamele de foarfecă, de a remedia defecțiunile sau de a scoate materialul prins în lamele de foarfecă, opriți întotdeauna mașina și scoateți cartușul acumulatorului.
9. Nu îndreptați niciodată lamele de foarfecă spre dumneavoastră sau spre alte persoane.
10. Dacă lamele se opresc din cauza blocării unor obiecte străine între acestea în timpul funcționării, opriți mașina și scoateți cartușul acumulatorului, iar apoi îndepărtați obiectele străine cu ajutorul unor unelte precum cleștele. Îndepărtarea manuală a obiectelor străine poate cauza accidente deoarece, ca reacție la îndepărtarea obiectelor străine, lamele s-ar putea mișca.

Siguranța electrică și a acumulatorului

1. **Evitați mediile periculoase. Nu utilizați mașina în locații cu umezeală și nu o expuneți la ploaie.** Dacă intră apă în mașină, riscul electrocutării este mai mare.
2. **Nu aruncați acumulatorul(ii) în foc.** Elementul poate exploda. Consultați codurile locale pentru posibile instrucțiuni speciale privind eliminarea.
3. **Nu deschideți și nu dezmembrați acumulatorul(ii).** Electrolitul eliberat este coroziv și poate cauza afecțiuni ale pielii și ochilor. Acesta poate fi toxic dacă este înghițit.
4. **Nu încărcați bateria în ploaie sau în zone cu umezeală.**
5. **Nu încărcați acumulatorul în exterior.**
6. **Nu manipulați încărcătorul, inclusiv fișa și bornele acestuia, cu mâinile ude.**

Întreținere și depozitare

1. **Opriți mașina și scoateți cartușul acumulatorului înainte de a efectua orice operații de întreținere.**
2. **Când mutați mașina într-o altă locație, inclusiv în timpul desfășurării activității, scoateți întotdeauna cartușul acumulatorului și montați capacul pentru lame peste lamele de foarfecă.** Nu transportați niciodată mașina atunci când lamele funcționează. Nu apucați niciodată lamele cu mâinile.
3. **După utilizare și înainte de a depozita mașina pentru o perioadă îndelungată, curățați mașina și, în special, lamele de foarfecă.** Ungeți lamele cu puțin ulei și puneți capacul peste lame.
4. **Depozitați mașina cu capacul pus peste lame, într-o încăpere uscată. Nu o lăsați la îndemâna copiilor. Nu depozitați niciodată mașina în exterior.**
5. **Nu aruncați acumulatorul(ii) în foc.** Elementul poate exploda. Consultați codurile locale pentru instrucțiunile corecte de depunere la deșeurii.
6. **Nu deschideți și nu dezmembrați acumulatorul(ii).** Electrolitul eliberat este coroziv și poate cauza afecțiuni ale pielii și ochilor. Acesta poate fi toxic dacă este înghițit.
7. **Nu încărcați bateria în ploaie sau în zone cu umezeală.**

PĂSTRAȚI ACESTE INSTRUCȚIUNI.

⚠️ AVERTIZARE: NU permiteți comodității și familiarizării cu produsul (obținute prin utilizare repetată) să înlocuiască respectarea strictă a normelor de securitate pentru acest produs. **FOLOSIREA INCORECTĂ** sau nerespectarea normelor de securitate din acest manual de instrucțiuni poate provoca vătămări corporale grave.

Instrucțiuni importante privind siguranța pentru cartușul acumulatorului

1. **Înainte de a folosi cartușul acumulatorului, citiți toate instrucțiunile și atenționările de pe (1) încărcătorul acumulatorului, (2) acumulator și (3) produsul care folosește acumulatorul.**
2. **Nu dezasamblați și nu interveniți asupra cartușului acumulatorului.** Acest lucru poate cauza incendii, căldură excesivă sau explozii.
3. **Dacă timpul de funcționare s-a redus excesiv, întrerupeți imediat funcționarea. Aceasta poate prezenta risc de supraîncălzire, posibile arsuri și chiar explozie.**
4. **Dacă electrolitul pătrunde în ochi, clătiți bine ochii cu apă curată și consultați imediat un medic.** Există risc de orbire.
5. **Nu scurtcircuitați cartușul acumulatorului:**
 - (1) **Nu atingeți bornele cu niciun material conductor.**
 - (2) **Evitați depozitarea cartușului acumulatorului la un loc cu alte obiecte metalice cum ar fi cuie, monede etc.**
 - (3) **Nu expuneți cartușul acumulatorului la apă sau ploaie.**

Un scurtcircuit al acumulatorului poate provoca un flux puternic de curent electric, supraîncălzire, posibile arsuri și chiar defectarea mașinii.

6. **Nu depozitați și nu utilizați mașina și cartușul acumulatorului în locuri în care temperatura poate atinge sau depăși 50 °C (122 °F).**
 7. **Nu incinerati cartușul acumulatorului chiar dacă acesta este grav deteriorat sau complet uzat.** Cartușul acumulatorului poate exploda în foc.
 8. **Nu introduceți cuie în cartușul acumulatorului, nu îl tăiați, striviți, aruncați sau scăpați și nu îl loviți cu un obiect dur.** Astfel de acțiuni pot provoca incendii, căldură excesivă sau explozii.
 9. **Nu utilizați un acumulator deteriorat.**
 10. **Acumulatorii Li-Ion încorporați se supun cerințelor Legislației privind substanțele periculoase.** Pentru transporturi comerciale, efectuate de exemplu de către părți terțe, expeditori, trebuie respectate cerințele speciale de ambalare și etichetare. Pentru pregătirea articolului care urmează să fie expedit, este necesară consultarea unui expert în materiale periculoase. Vă rugăm să respectați, de asemenea, reglementările naționale, care pot fi mai detaliate.
- Izolați sau acoperiți contactele deschise și împachetați acumulatorul în așa fel încât să nu se poată mișca în ambalaj.

11. **Atunci când eliminați la deșeuri cartușul acumulatorului, scoateți-l din mașină și eliminați-l într-un loc sigur. Respectați normele naționale privind eliminarea la deșeuri a acumulatorului.**
12. **Utilizați acumulatorii numai cu produsele specificate de Makita.** Instalarea acumulatorilor în produse neconforme poate cauza incendii, căldură excesivă, explozii sau scurgeri de electrolit.
13. **Dacă mașina nu este utilizată o perioadă lungă de timp, acumulatorul trebuie scos din acesta.**
14. **În timpul utilizării și după aceea, cartușul acumulatorului se poate încălzi, ceea ce poate cauza arsuri sau arsuri la temperaturi scăzute. Fiți atenți la manipularea cartușelor de acumulator atunci când sunt fierbinți.**
15. **Nu atingeți borna mașinii imediat după utilizare, întrucât se poate încălzi foarte tare și poate provoca arsuri.**
16. **Nu lăsați să pătrundă așchii, praf sau pământ în borne, în orificii și în canelurile cartușului acumulatorului.** Acest lucru poate provoca încălzirea, aprinderea, explozia și defectarea mașinii sau a cartușului acumulatorului, cauzând arsuri sau vătămări corporale.
17. **Nu utilizați cartușul acumulatorului în apropierea liniilor electrice de înaltă tensiune, cu excepția cazului în care mașina suportă utilizarea în apropierea liniilor electrice de înaltă tensiune.** Acest lucru poate duce la funcționarea necorespunzătoare sau la defectarea mașinii sau a cartușului acumulatorului.
18. **Țineți acumulatorul la distanță de copii.**

PĂSTRAȚI ACESTE INSTRUCȚIUNI.

ATENȚIE: Folosiți numai acumulatori Makita originali. Acumulatorii Makita care nu sunt originali și acumulatorii care au suferit modificări se pot aprinde, provocând incendii, leziuni corporale și daune. De asemenea, anulează garanția oferită de Makita pentru unele și încărcătorul Makita.

Sfaturi pentru obținerea unei durate maxime de exploatare a acumulatorului

1. **Încărcați cartușul acumulatorului înainte de a se descărca complet.** Întrerupeți întotdeauna funcționarea mașinii și încărcați cartușul acumulatorului când observați o scădere a puterii mașinii.
2. **Nu reîncărcați niciodată un acumulator complet încărcat.** Suprîncărcarea va scurta durata de exploatare a acumulatorului.
3. **Încărcați cartușul acumulatorului la temperatura camerei, între 10 °C - 40 °C (50 °F - 104 °F).** Lăsați un acumulator fierbinte să se răcească înainte de a-l încărca.
4. **Atunci când nu utilizați cartușul acumulatorului, scoateți-l din mașină sau din încărcător.**
5. **Încărcați cartușul acumulatorului în cazul în care nu a fost utilizat pe o perioadă mai lungă (mai mult de șase luni).**

DESCRIEREA FUNCȚIILOR

ATENȚIE: Asigurați-vă întotdeauna că mașina este oprită și cartușul acumulatorului este scos înainte de a ajusta sau verifica funcționarea mașinii.

Instalarea sau scoaterea cartușului acumulatorului

ATENȚIE: Opriți întotdeauna mașina înainte de montarea sau demontarea cartușului de acumulator.

ATENȚIE: Țineți ferm mașina și cartușul acumulatorului la montarea sau demontarea cartușului. În cazul în care nu țineți ferm mașina și cartușul de acumulator, acestea vă pot aluneca din mâini, rezultând defectarea mașinii și cartușului de acumulator, precum și în accidentări personale.

► Fig.1: 1. Indicator roșu 2. Buton 3. Cartușul acumulatorului

Pentru a scoate cartușul acumulatorului, glisați-l din mașină în timp ce glisați butonul de pe partea frontală a cartușului.

Pentru a monta cartușul acumulatorului, aliniați limba de pe cartușul acumulatorului cu canelura din carcasă și introduceți-l în locaș. Introduceți-l complet, până când se înclinetează în locaș. Dacă vedeți indicatorul roșu, astfel cum se arată în imagine, acesta nu este blocat complet.

ATENȚIE: Instalați întotdeauna cartușul acumulatorului complet, până când indicatorul roșu nu mai este vizibil. În caz contrar, acesta poate cădea accidental din mașină provocând rănirea dumneavoastră sau a persoanelor din jur.

ATENȚIE: Nu forțați cartușul acumulatorului la montare. Dacă acesta nu glisează ușor, înseamnă că a fost introdus incorect.

Indicarea capacității rămase a acumulatorului

Numai pentru cartușe de acumulator cu indicator

► Fig.2: 1. Lămpi indicatoare 2. Buton de verificare

Apăsăți butonul de verificare de pe cartușul acumulatorului, astfel încât să se indice capacitățile rămase ale acumulatorului. Lămpile indicatorului vor lumina timp de câteva secunde.

Lămpi indicatoare			Capacitate rămasă
Iluminat	Oprit	Iluminare intermitentă	
■	□	▧	între 75% și 100%
■ ■ ■ ■	□ □ □ □		între 50% și 75%
■ ■	□ □		între 25% și 50%
■	□ □ □ □		între 0% și 25%
▧	□ □ □ □		Încărcați acumulatorul.
■ ■ □ □	□ □ ■ ■		Este posibil ca acumulatorul să fie defect.

NOTĂ: În funcție de condițiile de utilizare și temperatura ambientală, indicația poate fi ușor diferită de capacitatea reală.

NOTĂ: Prima lampă indicatoare (extremitatea stângă) va lumina intermitent când sistemul de protecție a acumulatorului funcționează.

Sistem de protecție mașină/acumulator

NOTĂ: În funcție de condițiile de utilizare, mașina se oprește automat, fără nicio indicație, dacă se încurcă în crengi sau resturi. În acest caz, opriți mașina și scoateți cartușul acumulatorului, apoi îndepărtați crengile sau resturile cu ajutorul unor unelte precum cleștii. După îndepărtarea crengilor sau a resturilor, instalați cartușul acumulatorului și reporniți mașina.

Mașina este prevăzută cu un sistem de protecție mașină/acumulator. Acest sistem întrerupe automat alimentarea motorului pentru a extinde durata de funcționare a mașinii și acumulatorului. Mașina se va opri automat în timpul funcționării dacă mașina sau acumulatorul se află într-una din situațiile următoare:

Protecție la suprasarcină

Când mașina sau acumulatorul este utilizată/utilizat într-un mod care duce la un consum de curent anormal de ridicat, mașina se va opri automat. În această situație, opriți mașina și întrerupeți aplicația care a dus la suprasolicitarea mașinii. Apoi, reporniți mașina.

Protecție la supraîncălzire

Când mașina sau acumulatorul se supraîncălzeste, mașina se oprește automat. În acest caz, lăsați mașina și acumulatorul să se răcească înainte de a reporni mașina.

Protecție la supradescărcare

Când capacitatea acumulatorului scade, unealta se oprește automat. În acest caz, scoateți acumulatorul din mașină și încărcați-l.

Măsurile de protecție împotriva altor cauze

Sistemul de protecție este, de asemenea, conceput pentru alte cauze care ar putea deteriora mașina și permite mașinii să se oprească automat. Parcurgeți toți pașii următori pentru a elimina cauzele, atunci când mașina a fost oprită temporar sau a fost scoasă din funcțiune.

1. Opriți mașina, apoi porniți-o din nou pentru a reporni.
2. Încărcați acumulatorul (acumulatorii) sau înlocuiți-l (înlocuiți-i) cu un acumulator (acumulatori) încărcat (încărcați).
3. Lăsați mașina și acumulatorul (acumulatorii) să se răcească.

Dacă nu se poate observa nicio îmbunătățire prin resetarea sistemului de protecție, contactați centrul local de service Makita.

NOTĂ: Dacă mașina se oprește dintr-o cauză diferită de cele prezentate mai sus, consultați secțiunea referitoare la depanare.

Aționarea întrerupătorului

AVERTIZARE: Pentru siguranța dumneavoastră, această mașină este echipată cu o pârghie de comutare care previne pornirea neintenționată. Nu utilizați NICIODATĂ mașina dacă aceasta pornește la simpla tragere a butonului declanșator, fără a apăsa pârghia de comutare. Returnați mașina la un centru de service autorizat pentru efectuarea reparațiilor corespunzătoare ÎNAINTE de a continua utilizarea acesteia.

AVERTIZARE: Nu blocați NICIODATĂ pârghia de comutare cu bandă adezivă și nu dezactivați NICIODATĂ scopul sau funcția acesteia.

AVERTIZARE: Înainte de a introduce cartușul acumulatorului în unealtă, verificați întotdeauna dacă butonul declanșator și pârghia de comutare funcționează corect și revin în poziția „OFF” (oprit) când sunt eliberate. Operarea unelei cu un întrerupător care nu acționează corect poate duce la pierderea controlului și la accidentări grave.

ATENȚIE: Nu puneți niciodată degetul pe întrerupător în timpul transportului. Mașina poate porni accidental și poate provoca vătămări corporale.

Pentru a porni mașina, țineți mânerul frontal în timp ce apăsați pârghia de comutare și acționați butonul declanșator. Pentru a opri mașina, eliberați butonul declanșator sau pârghia de comutare.

► Fig.3: 1. Mâner frontal 2. Pârghie de comutare 3. Buton declanșator

Lampă indicatoare

► Fig.4: 1. Lampă indicatoare

Lampa indicatoare luminează intermitent sau se aprinde atunci când acumulatorul este aproape descărcat sau atunci când mașina este supraîncărcată. Consultați următorul tabel pentru starea și acțiunea necesară.

Lampă indicatoare	Stare	Acțiune necesară
Lampa luminează intermitent în roșu.	Capacitatea rămasă a acumulatorului este redusă.	Reîncărcați acumulatorul sau înlocuiți acumulatorul cu un altul complet încărcat.
Lampa luminează în roșu.	Capacitatea rămasă a acumulatorului este epuizată.	Reîncărcați acumulatorul sau înlocuiți acumulatorul cu un altul complet încărcat.
	Unealta s-a oprit din cauza supraîncărcării.	Opriti mașina și eliminați cauza supraîncărcării.
	Mașina s-a oprit din cauza supraîncălzirii.	Opriti mașina și lăsați mașina și acumulatorul să se răcească.

NOTĂ: Ora la care lampa indicatoare luminează intermitent sau se aprinde variază în funcție de temperatura din zona de lucru și de starea cartușului acumulatorului.

Funcție electronică

Mașina este echipată cu funcții electronice pentru utilizare facilă.

- Control constant al vitezei
Funcția de control al vitezei furnizează viteza de rotație constantă indiferent de condițiile de sarcină.
- Frână electrică
Această mașină este echipată cu frână electrică. Dacă, în repetate rânduri, mașina nu oprește rapid lamele de foarfecă după ce butonul declanșator este eliberat, solicitați repararea acesteia la un centru de service autorizat Makita.
- Funcție de prevenire a repornirii accidentale
Chiar dacă montați cartușul acumulatorului în timp ce trageți butonul declanșator, mașina nu pornește. Pentru a porni mașina, mai întâi eliberați butonul declanșator și apoi trageți butonul declanșator.

ASAMBLARE

ATENȚIE: Asigurați-vă întotdeauna că mașina este oprită și cartușul acumulatorului este scos înainte de a executa orice lucrări la mașină.

ATENȚIE: Atunci când înlocuiți lamele de foarfecă, purtați întotdeauna mănuși, astfel încât mâinile și fața dvs. să nu intre în contact direct cu lamele.

NOTĂ: La înlocuirea lamelor de foarfecă, nu ștergeți unsoarea de pe angrenaj și de pe pârghie.

Montarea sau demontarea lamelor de foarfecă

ATENȚIE: Atașați capacul pentru lame înainte de a demonta sau monta lamele de foarfecă.

Puteți monta lame de foarfecă de 500 mm sau 600 mm la mașina dumneavoastră.

1. Atașați capacul pentru lame la lamele de foarfecă.

► Fig.5: 1. Capacul lamei

2. Așezați unealta cu susul în jos, apoi scoateți 6 bolțuri, după care scoateți capacul și placa.

► Fig.6: 1. Bolț 2. Capac 3. Placă

NOTĂ: Placa poate rămâne pe capac.

3. Rotiți pârghia cu șurubelnița cu cap crestat astfel încât cele 2 orificii să fie perpendiculare pe lamele de foarfecă.

► Fig.7: 1. Pârghie 2. Orificiu

4. Scoateți 2 bolțuri, talerul de păslă și manșoanele, iar apoi demontați lamele de foarfecă.

► Fig.8: 1. Taler de păslă 2. Bolț 3. Manșon 4. Lame de foarfecă

5. Scoateți capacul pentru lame, apoi atașați-l la noile lame de foarfecă.

► Fig.9: 1. Capacul lamei

6. Aliniați muchiile posterioare ale lamelor de foarfecă, după cum se arată în figură.

► Fig.10: 1. Muchie posterioară

7. Glisați ușor lamele de foarfecă, după cum se arată în figură, apoi atașați manșoanele la lamele de foarfecă.

► Fig.11: 1. Manșon

8. Glisați capacul lamei ușor spre vârful lamelor de foarfecă, apoi atașați lamele de foarfecă la mașină.

► Fig.12: 1. Lame de foarfecă

NOTĂ: Aplicați o cantitate mică de unsoare în zona periferică interioară a orificiului lamelor de foarfecă.

NOTĂ: Aveți grijă să nu pierdeți manșoanele.

9. Glisați lamele de foarfecă și manșoanele, astfel încât orificiile de pe manșoane să fie aliniate cu orificiile de pe unealtă.

► Fig.13: 1. Orificiu pe unealtă 2. Orificiu pe manșon

10. Strângeți bolțurile pentru a fixa lamele de foarfecă.

► Fig.14: 1. Bolț

11. Atașați talerul de păslă la lamele de foarfecă.

► Fig.15: 1. Taler de păslă

12. Atașați placa.

► Fig.16: 1. Placă

13. Atașați capacul, apoi strângeți 6 bolțuri.

► Fig.17: 1. Bolț 2. Capac

NOTĂ: Dacă lamele de foarfecă nu se mișcă lin, lamele de foarfecă nu sunt angrenate cu pârghia în mod corespunzător. Instalați din nou lamele de foarfecă.

NOTĂ: Dacă alte piese, cu excepția lamelor de foarfecă, cum ar fi pârghia, se uzează, solicitați centrelor de service autorizate Makita înlocuirea pieselor sau efectuarea de reparații.

Montarea sau demontarea recipientului de resturi

Accesorii opționale

⚠️ ATENȚIE: Atunci când montați sau demontați recipientul de resturi, purtați întotdeauna mănuși, astfel încât mâinile și fața dvs. să nu intre în contact direct cu lamele de foarfecă.

NOTĂ: Capacul lamelor nu poate fi montat dacă se montează recipientul de resturi pe unealtă. Înainte de a transporta sau depozita unealta, demontați recipientul de resturi și apoi montați capacul lamelor pentru a evita expunerea acestora.

NOTĂ: Asigurați-vă că ați îndepărtat capacul lamelor înainte de a monta recipientul de resturi.

Recipientul de resturi colectează frunzele eliminate și facilitează curățarea ulterioară. Acesta poate fi instalat pe oricare latură a unelei.

1. Aliniați orificiile de pe recipientul de resturi cu șuruburile de pe lamele de foarfecă.

► **Fig.18:** 1. Șurub

2. Cuplați clichețele recipientului de resturi la canelura de pe lamele de foarfecă.

► **Fig.19:** 1. Clește 2. Canelură

3. Apăsăți pârghiile de pe recipientul de resturi și apoi cuplați clichețele pe cealaltă parte a canelurii de pe lamele de foarfecă.

► **Fig.20:** 1. Pârghie

Pentru a scoate recipientul de resturi, apăsați pârghiile astfel încât să se deblocheze clichețele.

► **Fig.21:** 1. Pârghie

NOTĂ: Nu încercați niciodată să scoateți recipientul de resturi atunci când cârligele acestuia sunt blocate în lamele de foarfecă, aplicând o forță excesivă.

OPERAREA

⚠️ AVERTIZARE: Țineți mâinile la distanță de lamele de foarfecă.

⚠️ ATENȚIE: Pe cât posibil, evitați operarea unelei în condiții de temperatură foarte ridicată. La operarea unelei, țineți cont de condiția dumneavoastră fizică.

⚠️ ATENȚIE: În timpul tunderii, aveți grijă să nu atingeți accidental un gard metalic sau alte obiecte tari. Lamele de foarfecă se pot rupe și pot produce răni.

⚠️ ATENȚIE: Aveți grijă să nu lăsați lamele de foarfecă să intre în contact cu solul. Unealta poate recula, cauzând răni.

⚠️ ATENȚIE: Întinderea cu o mașină de tuns gardul viu, în special de pe o scară, este extrem de periculoasă. Nu lucrați în timp ce stați pe suporturi instabile sau lipsite de fermitate.

NOTĂ: Nu încercați să tăiați ramuri mai groase de 10 mm cu unealta. Tăiați crengile la o înălțime cu 10 cm mai mică decât înălțimea de tăiere utilizând un cuțit de crengi, înainte de a utiliza această unealtă.

► **Fig.22:** (1) Înălțime de tăiere (2) 10 cm

NOTĂ: Nu tăiați copaci uscați sau alte obiecte similare dure. Această acțiune poate deteriora unealta.

NOTĂ: Nu tundeți iarba sau buruienile utilizând lamele de foarfecă. Lamele de foarfecă se pot încălzi în iarbă sau în buruieni.

Țineți unealta cu ambele mâini, țineți mânerul din față în timp ce apăsați pârghia de comutare și trageți butonul declanșator, apoi mutați unealta înainte.

► **Fig.23**

Ca operație de bază, înclinați lamele de foarfecă spre direcția de tunderă și deplasați-le calm și lent la o viteză nominală de 3 – 4 secunde pe metru.

► **Fig.24**

Pentru a tăia uniform partea de sus a gardului viu, legați un șnur la înălțimea dorită și aliniați-l.

► **Fig.25**

Dacă recipientul de resturi este atașat la lamele de foarfecă, acesta colectează frunzele eliminate și facilitează curățarea ulterioară.

► **Fig.26**

Pentru a tunde uniform o față a gardului viu, tăiați de jos în sus.

► **Fig.27**

Când tundeți în scopul de a crea o formă rotunjită (tundera speciilor de Buxus sau Rododendron etc.), tundeți de la rădăcină spre partea superioară, pentru a obține un finisaj aspectuos.

► **Fig.28**

ÎNTREȚINERE

⚠️ ATENȚIE: Asigurați-vă întotdeauna că mașina este oprită și cartușul acumulatorului scos înainte de a executa lucrările de inspecție și întreținere.

Pentru a menține SIGURANȚA și FIABILITATEA produsului, reparațiile și orice alte lucrări de întreținere sau reglare trebuie executate de centre de service Makita autorizate sau proprii, folosind întotdeauna piese de schimb Makita.

Curățarea unelei

Curățați unealta ștergând praful cu o lavetă uscată și cu o lavetă umezită cu apă cu săpun și stoarsă.

NOTĂ: Nu utilizați niciodată gazolină, benzină, diluant, alcool sau alte substanțe asemănătoare. În caz contrar, pot rezulta decolorări, deformări sau fisuri.

Întreținerea lamelor de foarfecă

Înainte de utilizare, sau o dată pe oră în timpul operării, aplicați ulei cu vâscozitate redusă (ulei de mașină sau ulei de lubrifiere cu aplicare prin pulverizare) pe lamele de foarfecă.

► Fig.29

După utilizare, eliminați praful de pe ambele părți ale lamelor de foarfecă cu o perie din sârmă, ștergeți-le cu o lavetă și apoi aplicați ulei cu vâscozitate redusă (ulei de mașină sau ulei de lubrifiere cu aplicare prin pulverizare) pe lamele de foarfecă.

► Fig.30

NOTĂ: Nu spălați lamele de foarfecă în apă. În caz contrar, unealta poate fi deteriorată sau poate rugini.

NOTĂ: Murdăria și coroziunea pot cauza o fricțiune excesivă a lamei și pot scurta timpul de operare între încărcările acumulatorului.

Depozitare

Orificiul pentru cârlig din partea inferioară a unelei este convenabil pentru suspendarea unelei de un cui sau de șurub de pe perete.

Atașați capacul pentru lame pe lamele de foarfecă, astfel încât lamele să nu fie expuse. Depozitați unealta departe de raza de acțiune a copiilor. Depozitați unealta într-un loc care nu este expus la umezeală sau ploaie.

► Fig.31: 1. Orificiu

Ascuțirea lamelor de foarfecă

NOTĂ: Dacă lamele de foarfecă s-au deformat considerabil prin ascuțire, înlocuiți-le cu un set nou.

1. Montați cartușul acumulatorului pe unealtă.
2. Porniți unealta astfel încât lama superioară și lama inferioară să fie poziționate alternativ.

► Fig.32

3. Deconectați sursa de alimentare și scoateți cartușul acumulatorului din unealtă.

4. Reglați unghiul pilei la 35° și ascuțiți lama superioară din 2 direcții cu pila.

► Fig.33: (1) Pila (2) 35°

⚠ATENȚIE: Înainte de ascuțirea lamelor de foarfecă, asigurați-vă întotdeauna că unealta este oprită și cartușul acumulatorului este scos.

5. Așezați unealta cu partea de jos în sus, apoi îndepărtați impuritățile vegetale de pe lamele de foarfecă cu piatra de rectificat.

► Fig.34: 1. Piatră de rectificat

6. Reglați unghiul pilei la 35° și ascuțiți lama inferioară din 2 direcții cu pila.

7. Așezați unealta în poziție normală, apoi îndepărtați impuritățile vegetale de pe lamele de foarfecă cu piatra de rectificat.

Lubrifiere cu unsoare

Interval de lubrifiere: La fiecare 50 ore de funcționare

1. Scoateți bolțul din orificiul pentru lubrifiere.

► Fig.35: 1. Bolț

2. Scoateți capacul recipientului cu unsoare. Aliniați orificiul de evacuare al recipientului cu unsoare cu orificiul de pe capac, iar apoi rotiți recipientul cu unsoare pentru a atașa orificiul de evacuare al recipientului cu unsoare pe orificiu.

► Fig.36: 1. Recipient cu unsoare 2. Orificiu

3. Aplicați unsoare pe unealtă (Aproximativ 3 g ca indicație).

4. Îndepărtați recipientul cu unsoare.

5. Strângeți bolțul.

DEPANARE

Înainte de a solicita reparații, efectuați mai întâi propria inspecție. În cazul în care găsiți o problemă care nu este explicată în manual, nu încercați să demontați echipamentul. În schimb, adresați-vă Centrelor de service autorizate Makita, utilizând întotdeauna piese de schimb Makita pentru reparații.

Stare de anomalitate	Cauză probabilă (defecțiune)	Remediu
Motorul nu operează.	Cartușul acumulatorului nu este montat.	Montați cartușul acumulatorului.
	Problemă cu acumulatorul (tensiune scăzută)	Reîncărcați acumulatorul. Dacă reîncărcarea nu este eficientă, înlocuiți acumulatorul.
	Sistemul de acționare nu funcționează corect.	Solicitați centrului de service autorizat local efectuarea reparațiilor.
Motorul se oprește din funcționare după puțin timp.	Nivelul de încărcare al acumulatorului este redus.	Reîncărcați acumulatorul. Dacă reîncărcarea nu este eficientă, înlocuiți acumulatorul.
	Supraîncălzire.	Opriti utilizarea uneltei și lăsați-o să se răcească.
Mașina nu atinge turația maximă (RPM).	Acumulatorul este instalat necorespunzător.	Montați cartușul de acumulator în modul descris în acest manual.
	Puterea acumulatorului se reduce.	Reîncărcați acumulatorul. Dacă reîncărcarea nu este eficientă, înlocuiți acumulatorul.
	Sistemul de acționare nu funcționează corect.	Solicitați centrului de service autorizat local efectuarea reparațiilor.
Lamele de foarfecă nu se mișcă: ⇒ opriti imediat mașina!	Obiecte străine sunt prinse în lamele de foarfecă.	Opriti mașina și scoateți cartușul acumulatorului, apoi îndepărtați obiectele străine cu ajutorul unor unelte precum cleștii.
	Sistemul de acționare nu funcționează corect.	Solicitați centrului de service autorizat local efectuarea reparațiilor.
Vibrații anormale: ⇒ opriti imediat mașina!	Lamele de foarfecă sunt rupte, îndoite sau uzate.	Înlocuiți lamele de foarfecă.
	Sistemul de acționare nu funcționează corect.	Solicitați centrului de service autorizat local efectuarea reparațiilor.
Lamele de foarfecă și motorul nu pot fi oprite: ⇒ Scoateți imediat acumulatorul!	Defecțiune electrică.	Scoateți acumulatorul și solicitați reparații din partea centrului de service autorizat local.

ACCESORII OPȚIONALE

⚠ATENȚIE: Folosiți accesoriile sau piesele auxiliare recomandate pentru mașina dumneavoastră Makita în acest manual. Utilizarea oricărui alte accesorii sau piese auxiliare poate prezenta risc de vătămare corporală. Utilizați accesoriile și piesele auxiliare numai în scopul destinat.

Dacă aveți nevoie de asistență sau de mai multe detalii referitoare la aceste accesorii, adresați-vă centrului local de service Makita.

- Ansamblu lame de foarfecă
- Capac lamă de foarfecă
- Recipient de resturi
- Recipient cu unsoare
- Acumulator și încărcător original Makita

NOTĂ: Unele articole din listă pot fi incluse ca accesorii standard în ambalajul de scule. Acestea pot diferi în funcție de țară.

ТЕХНІЧНІ ХАРАКТЕРИСТИКИ

Модель:	DUH506	DUH606
Довжина полотна	500 мм	600 мм
Робоча частота	4 000 хв ⁻¹	
Загальна довжина (Без акумулятора)	846 мм	965 мм
Номінальна напруга	18 В пост. струму	
Маса нетто	2,5 – 2,9 кг	2,7 – 3,0 кг

- Оскільки наша програма наукових досліджень і розробок триває безперервно, наведені тут технічні характеристики можуть бути змінені без попередження.
- У різних країнах технічні характеристики можуть бути різними.
- Вага може відрізнятись залежно від допоміжного обладнання, наприклад касети з акумулятором. Найлегші та найважчі комплекти, відповідно до стандарту ЕРТА (Європейська асоціація виробників електроінструменту) від січня 01/2014 року, представлено в таблиці.

Застосовна касета з акумулятором і зарядний пристрій

Касета з акумулятором	BL1815N / BL1820B / BL1830B / BL1840B / BL1850B / BL1860B
Зарядний пристрій	DC18RC / DC18RD / DC18RE / DC18SD / DC18SE / DC18SF / DC18SH / DC18WC

- Деякі касети з акумулятором і зарядні пристрої, які вказано вище, можуть бути недоступними залежно від вашого регіону або місця перебування.

⚠ ПОПЕРЕДЖЕННЯ: Використовуйте лише касети з акумулятором і зарядні пристрої, перелічені вище. Використання будь-яких інших касет з акумулятором і зарядних пристроїв може призвести до травмування й/або пожежі.





Рекомендоване джерело енергопостачання з дротовим підключенням

Портативний блок живлення	PDC01
---------------------------	-------

- У деяких регіонах певні моделі джерел енергопостачання з дротовим підключенням, які вказано вище, можуть бути недоступні.
- Перед використанням джерела енергопостачання з дротовим підключенням прочитайте інструкції та попереджувальні написи на них.

СИМВОЛИ

Далі наведено символи, які можуть застосовуватися для позначення обладнання. Перед користуванням переконайтеся, що ви розумієте їхнє значення.

	Читайте посібник з експлуатації.
	Надягайте засоби захисту очей.
	НЕБЕЗПЕЧНО! Тримайте руки на безпечній відстані від леза.
	Не піддавайте впливу вологи.



Тільки для країн ЄС
Через наявність в обладнанні небезпечних компонентів відходи електричного та електронного обладнання, акумулятори та батареї можуть негативно впливати на навколишнє середовище та здоров'я людини.
Не викидайте електричні та електронні прилади або батареї разом з побутовими відходами!
Відповідно до директиви ЄС стосовно відходів електричного та електронного обладнання, акумуляторів, батарей та відходів акумуляторів і батарей, а також відповідно до її адаптації до національного законодавства, відходи електричного обладнання, батареї та акумулятори слід зберігати окремо й доставляти на пункт роздільного збору комунальних відходів, який працює з дотриманням правил охорони навколишнього середовища.
Це позначено символом у вигляді перекресленого сміттового контейнера з колесами, нанесеним на обладнання.



Гарантований рівень звукової потужності відповідно до Директиви ЄС щодо шумів поза приміщеннями.



Рівень звукової потужності відповідно до Регламенту Австралії (Новий Південний Уельс) з контролю за шумом

Призначення

Інструмент призначено для підрізання живоплоту.

Шум

Відповідний стандарт : EN62841-4-2

Модель	Рівень звукового тиску		Рівень акустичної потужності	
	L _{рA} (дБ (A))	Похибка К (дБ (A))	L _{WA} (дБ (A))	Похибка К (дБ (A))
DUH506	77	3	88	3
DUH606	79	3	90	3

ПРИМІТКА: Заявлене значення шуму було виміряно відповідно до стандартних методів тестування й може використовуватися для порівняння одного інструмента з іншим.

ПРИМІТКА: Заявлене значення шуму може також використовуватися для попереднього оцінювання впливу.

▲ПОПЕРЕДЖЕННЯ: Користуйтеся засобами захисту органів слуху.

▲ПОПЕРЕДЖЕННЯ: Залежно від умов використання рівень шуму під час фактичної роботи електроінструмента може відрізнитися від заявленого значення вібрації; особливо сильно на це впливає тип деталі, що оброблюється.

▲ПОПЕРЕДЖЕННЯ: Забезпечте належні запобіжні заходи для захисту оператора, що відповідають умовам використання інструмента (слід брати до уваги всі складові робочого циклу, як-от час, коли інструмент вимкнено та коли він починає працювати на холостому ході під час запуску).

Вібрація

Загальна величина вібрації (векторна сума трьох напрямків) визначена згідно з EN62841-4-2:

Модель	Передня ручка		Задня ручка	
	ah (м/с ²)	Похибка К (м/с ²)	ah (м/с ²)	Похибка К (м/с ²)
DUH506	2,5 м/с ² або менше	1,5	2,5 м/с ² або менше	1,5
DUH606	2,5 м/с ² або менше	1,5	2,5 м/с ² або менше	1,5

ПРИМІТКА: Заявлене загальне значення вібрації було виміряно відповідно до стандартних методів тестування й може використовуватися для порівняння одного інструмента з іншим.

ПРИМІТКА: Заявлене загальне значення вібрації може також використовуватися для попереднього оцінювання впливу.

▲ПОПЕРЕДЖЕННЯ: Залежно від умов використання вібрація під час фактичної роботи електроінструмента може відрізнитися від заявленого значення вібрації; особливо сильно на це впливає тип деталі, що оброблюється.

▲ПОПЕРЕДЖЕННЯ: Забезпечте належні запобіжні заходи для захисту оператора, що відповідають умовам використання інструмента (слід брати до уваги всі складові робочого циклу, як-от час, коли інструмент вимкнено та коли він починає працювати на холостому ході під час запуску).

Декларація про відповідність стандартам ЄС

Тільки для країн Європи

Декларацію про відповідність стандартам ЄС наведено в Додатку А до цієї інструкції з експлуатації.

ПОПЕРЕДЖЕННЯ ПРО ДОТРИМАННЯ ТЕХНІКИ БЕЗПЕКИ

Загальні застереження щодо техніки безпеки при роботі з електроінструментами

⚠ ПОПЕРЕДЖЕННЯ: Уважно ознайомтеся з усіма попередженнями про дотримання правил техніки безпеки, інструкціями, ілюстраціями та технічними характеристиками, що стосуються цього електроінструмента. Невиконання будь-яких інструкцій, перелічених нижче, може призвести до ураження електричним струмом, пожежі та/або тяжких травм.

Збережіть усі інструкції з техніки безпеки та експлуатації на майбутнє.

Термін «електроінструмент», зазначений у інструкції з техніки безпеки, стосується електроінструмента, який функціонує від електромережі (електроінструмент з кабелем живлення), або електроінструмента з живленням від батареї (безпроводний електроінструмент).

Попередження про необхідну обережність під час роботи з акумуляторною пилою для підрізання живоплоту

1. **Тримайтеся на безпечній відстані від леза. Не видаляйте зрізаний матеріал і не притримуйте матеріал, який ви хочете зрізати, під час руху лез.** Леза продовжують рухатися після вимкнення вимикача. Одна мить необережності під час роботи з пилою для підрізання живоплоту може призвести до тяжкої травми.
2. **Переносьте пилу для підрізання живоплоту за ручку після повного зупинення леза й будьте обережні, щоб не натиснути вимикач живлення.** Перенесення пили для підрізання живоплоту з дотриманням заходів безпеки знизить ризик ненавмисного пуску й отримання травм від лез.
3. **Під час транспортування або зберігання пили для підрізання живоплоту встановлюйте кришку леза.** Поводження з пилою для підрізання живоплоту з дотриманням заходів безпеки знизить ризик отримання травм від лез.
4. **Під час видалення застряглих обрізків або обслуговування інструмента переконайтеся в тому, що всі вимикачі живлення вимкнені, блок акумулятора вийнято або від'єднано.** Несподіване спрацювання пили для підрізання живоплоту під час видалення застряглих предметів або обслуговування може призвести до тяжких травм.

5. **Тримайте пилу для підрізання живоплоту тільки за спеціальні ізольовані поверхні, оскільки лезо може зачепити сховану електропроводку.** Торкання лезом дроту під напругою може призвести до передавання напруги до оголених металевих частин пили для підрізання живоплоту й до ураження оператора електричним струмом.
6. **Тримайте всі шнури живлення й кабелі подалі від місця зрізання.** Шнури живлення або кабелі можуть бути сховані в живоплотах або куцах і можуть бути випадково розрізані лезом.
7. **Не використовуйте пилу для підрізання живоплоту за поганих погодних умов, особливо коли є ризик виникнення грозового розряду.** Це знизжує ризик ураження блискавкою.
8. **Коли перенесе пилу для підрізання живоплоту іншій людині, покладіть пилу для підрізання живоплоту на землю й приберіть із неї свої руки, і тільки тоді інша людина може підняти пилу для підрізання живоплоту.** Під час передачі пили для підрізання живоплоту з рук у руки ви одночасно триматиметеся за передню та задню ручку, що може призвести до ненавмисного запуску пили для підрізання живоплоту. Випадковий запуск може призвести до тяжких травм.

Додаткові інструкції з техніки безпеки

Підготовка

1. **Перед початком робіт з інструментом перевіряйте живопліт і куці на наявність сторонніх предметів, як-от дрітняні загорожі чи прихована електропроводка.**
2. **Дітям і підліткам молодше 18 років забороняється користуватися інструментом.** Цю заборону може бути знято з молодих людей віком понад 16 років під час проходження практики під наглядом майстра.
3. **У разі використання інструмента користувачем-початківцем досвідчений користувач має показати, як правильно працювати з інструментом.**
4. **Використовуйте інструмент тільки тоді, коли перебуваєте в доброму фізичному стані.** Якщо ви стомлені, концентрація уваги знижується. Будьте особливо уважні наприкінці робочого дня. Виконуйте роботу спокійно й обережно. Користувач несе відповідальність за будь-яку шкоду, завдану іншим особам.
5. **Забороняється працювати з інструментом після вживання алкоголю, ліків або медичних препаратів.**
6. **Робочі рукавиці з міцної шкіри входять до набору обладнання інструмента; обов'язково вдягайте їх під час роботи з ним.** Взуття має бути міцним, з підошвами, що не ковзають.
7. **Перед початком роботи перевірте, чи справний інструмент і чи в належному він робочому стані. Перевірте, чи правильно закріплені запобіжні деталі корпусу.** Інструмент можна використовувати тільки в повністю зібраному стані.

Робота

1. Під час роботи з інструментом міцно тримайте його обома руками.
2. Інструмент призначений для використання оператором на рівні землі. Не використовуйте інструмент на драбині або будь-який інший нестійкій опорі.
3. **НЕБЕЗПЕЧНО** - Тримайте руки подалі від ножового полотна. Контакт із полотном призведе до серйозної травми.
4. Не використовуйте інструмент під час дощу або за умов високої вологості чи вогкості. Електричний двигун не є водостійким.
5. Перед початком роботи переконайтеся, що ви стоїте на надійній поверхні.
6. Без потреби не допускайте, щоб інструмент працював без навантаження.
7. У разі контакту лез секатора з парканом або іншим твердим предметом негайно вимкніть інструмент і зніміть касету з акумулятором. Переконайтеся у відсутності пошкоджень на лезах. Негайно замініть леза в разі наявності на них пошкоджень.
8. Перед перевіркою лез секатора, усуненням поломок чи видаленням матеріалу, який застряг у лезах, завжди вимикайте інструмент і виймайте касету з акумулятором.
9. Ніколи не направляйте леза секатора на себе або інших людей.
10. Якщо під час роботи ножі зупиняються внаслідок потрапляння між ними сторонніх предметів, вимкніть інструмент і витягніть касету з акумулятором, після чого видаліть сторонні предмети, наприклад, плоскогубцями. Видалення сторонніх предметів руками пов'язане з ризиком травмування, оскільки під час видалення сторонніх предметів ножі можуть зміститися.

Електробезпека й техніка безпеки під час роботи з акумулятором

1. Не працюйте з інструментом у небезпечних умовах. Не користуйтеся інструментом у вологих або мокрих місцях і не допускайте його перебування під дощем. У випадку потрапляння води в інструмент зростає ризик ураження електричним струмом.
2. Не спалюйте акумулятори. Акумулятор може вибухнути. Ознайомтеся з місцевими законами, які можуть містити спеціальні інструкції щодо утилізації відходів.
3. Не відкривайте й не деформуйте акумулятори. Електроліт є їдкою речовиною, тому в разі контакту зі шкірою або очима може завдати травму. У разі проковтування він може бути токсичним.
4. Не заряджайте акумулятор під дощем або в місцях із підвищеною вологістю.
5. Перезаряджайте акумулятор тільки в приміщенні.
6. Не торкайтеся зарядного пристрою, а також штекера й контактів зарядного пристрою вологими руками.

Технічне обслуговування й зберігання

1. Вимикайте інструмент і знімайте касету з акумулятором, перш ніж виконувати технічне обслуговування.
2. Під час переміщення інструмента в інше місце, зокрема під час роботи, завжди знімайте касету з акумулятором і встановлюйте кришку на лезо секатора. Заборонено переносити й перевозити інструмент для підірвання живоплоту з лезами, що рухаються. Заборонено торкатися леза руками.
3. Очищуйте інструмент і особливо леза секатора після використання, а також перед тривалим зберіганням. Нанесіть невелику кількість мастила на леза й надіньте кришку леза.
4. Зберігайте інструмент з установленою кришкою леза й у сухому приміщенні. Тримайте інструмент у недоступному для дітей місці. Інструмент забороняється зберігати на відкритому повітрі.
5. Не спалюйте акумулятор(и). Акумулятор може вибухнути. Ознайомтеся з місцевими законами на предмет можливих спеціальних інструкцій з утилізації відходів.
6. Не відкривайте та не деформуйте акумулятор(и). Пролитий електроліт є роз'їдаючою речовиною, тому може нанести травму при контакті зі шкірою або очима. При проковтуванні може бути токсичним.
7. Не заряджайте акумулятор під дощем або в місцях із підвищеною вологістю.

ЗБЕРІГАЙТЕ ЦІ ВКАЗІВКИ.

▲ПОПЕРЕДЖЕННЯ: НІКОЛИ НЕ втрачайте пильності та не розслабляйтеся під час користування виробом (що можливо при частому користуванні); обов'язково строго дотримуйтеся відповідних правил безпеки. **НЕНАЛЕЖНЕ ВИКОРИСТАННЯ** або недотримання правил техніки безпеки, викладених у цій інструкції з експлуатації, може призвести до серйозних травм.

Важливі інструкції з безпеки для касети з акумулятором

1. Перед тим як користуватися касетою з акумулятором, слід прочитати всі інструкції та застережні знаки щодо (1) зарядного пристрою акумулятора, (2) акумулятора та (3) виробів, що працюють від акумулятора.
2. Не розбирайте касету з акумулятором і не змінюйте її конструкцію. Це може призвести до пожежі, перегріву або вибуху.
3. Якщо період роботи дуже покоротшав, слід негайно припинити користування. Це може призвести до виникнення ризику перегріву, опіку та навіть вибуху.
4. У разі потрапляння електроліту в очі слід промити їх чистою водою та негайно звернутися до лікаря. Це може призвести до втрати зору.

5. Не закоротіть касету з акумулятором.
 - (1) Не слід торкатися клем будь-яким струмопровідним матеріалом.
 - (2) Не слід зберігати касету з акумулятором у ємності з іншими металевими предметами, такими як цвяхи, монети тощо.
 - (3) Не залишайте касету з акумулятором під дощем, запобігайте контакту з водою.

Коротке замикання може призвести до появи значного струму, перегріву, можливих опіків та навіть виходу з ладу.
6. Не слід зберігати й використовувати інструмент і касету з акумулятором у місцях, де температура може сягнути чи перевищити 50 °C (122 °F).
7. Не слід спалювати касету з акумулятором, навіть якщо вона була неодноразово пошкоджена або повністю спрацьована. Касета з акумулятором може вибухнути у вогні.
8. Заборонено забивати цвяхи в касету з акумулятором, різати, ламати, кидати, впускати касету з акумулятором або вдаряти її твердим предметом. Це може призвести до пожежі, перегріву або вибуху.
9. Не слід використовувати пошкоджений акумулятор.
10. Літій-іонні акумулятори, що містяться в інструменті, мають відповідати вимогам законів про небезпечні товари. Під час транспортування за допомогою комерційних перевезень, наприклад із залученням третьої сторони та експедиторів, необхідно дотримуватись особливих вимог, вказаних на пакуванні й у маркуванні. Під час підготування позиції до відправлення необхідно проконсультуватись зі спеціалістом з небезпечних матеріалів. Крім того, слід виконувати більш докладні національні настанови, якщо такі є. Заклейте відкриті контакти стрічкою або заховайте їх і запакуйте акумулятор таким чином, щоб він не міг рухатися в пакуванні.

11. Для утилізації касети з акумулятором витягніть її з інструмента та утилізуйте безпечним способом. Дотримуйтеся норм місцевого законодавства щодо утилізації акумуляторів.
12. Використовуйте акумулятори лише з виробами, указаними компанією Makita. Установлення акумуляторів у невідповідні виробу може призвести до пожежі, надмірного нагрівання, вибуху чи витoku електроліту.
13. Якщо інструментом не користуватимуться протягом тривалого періоду часу, вийміть акумулятор з інструмента.
14. Під час і після використання касета з акумулятором може нагріватися, що може стати причиною опіків або низькотемпературних опіків. Будьте обережні під час поводження з гарячою касетою з акумулятором.

15. Не торкайтеся контактів інструмента відразу після використання, оскільки він може бути досить гарячим, щоб викликати опіки.
16. Не допускайте, щоб уламки, пил або земля прилипали до контактів, отворів і пазів на касеті з акумулятором. Це може призвести до перегріву, займання, вибуху та виходу з ладу інструмента або касети з акумулятором і спричинити опіки або травми.
17. Якщо інструмент не розраховано на використання поблизу високовольтних ліній електропередач, не використовуйте касету з акумулятором поблизу високовольтних ліній електропередач. Це може призвести до несправності, поломки інструмента або касети з акумулятором.
18. Тримайте акумулятор у недоступному для дітей місці.

ЗБЕРІГАЙТЕ ЦІ ВКАЗІВКИ.

⚠ОБЕРЕЖНО: Використовуйте тільки акумулятори Makita. Використання акумуляторів, інших ніж оригінальні акумулятори Makita, або акумуляторів, конструкцію яких було змінено, може призвести до вибуху акумулятора і спричинити пожежу, травму або пошкодження. У зв'язку з цим також буде анульовано гарантію Makita на інструмент Makita і на зарядний пристрій.

Поради з забезпечення максимального строку експлуатації акумулятора

1. Касету з акумулятором слід заряджати до того, як він розрядиться повністю. Завжди слід зупиняти роботу інструмента та зарядити акумулятор, якщо ви помітили зменшення потужності інструмента.
2. Ніколи не слід заряджати повторно повністю заряджену касету з акумулятором. Перезарядження скорочує строк експлуатації акумулятора.
3. Заряджайте касету з акумулятором при кімнатній температурі 10°C - 40°C (50°F - 104°F). Перед тим як заряджати касету з акумулятором, слід зачекати, доки вона охолоне.
4. Коли касета з акумулятором не використовується, виймайте її з інструмента або зарядного пристрою.
5. Якщо касета з акумулятором не використовувалася тривалий час (понад шість місяців), її слід зарядити.

ОПИС РОБОТИ

⚠ ОБЕРЕЖНО: Обов'язково переконайтеся, що прилад вимкнено, а касету з акумулятором знято, перед регулюванням або перевіркою функціонування інструмента.

Встановлення та зняття касети з акумулятором

⚠ ОБЕРЕЖНО: Завжди вимикайте інструмент перед встановленням або зняттям касети з акумулятором.

⚠ ОБЕРЕЖНО: Під час встановлення або зняття касети з акумулятором слід міцно тримати інструмент та касету з акумулятором. Якщо ви утримуватимете інструмент та касету з акумулятором недостатньо міцно, вони можуть вислизнути з рук, що може призвести до пошкодження інструмента та касети з акумулятором або може спричинити травми.

► **Рис.1:** 1. Червоний індикатор 2. Кнопка 3. Касета з акумулятором

Щоб зняти касету з акумулятором, слід витягнути її з інструмента, натиснувши на кнопку в передній частині касети.

Щоб установити касету з акумулятором, слід сумістити виступ на касеті з акумулятором із пазом у корпусі й вставити касету на місце. Вставляйте її до кінця, щоб вона зафіксувалася з легким клацанням. Якщо ви бачите червоний індикатор, як показано на рисунку, її не зафіксовано повністю.










⚠ ОБЕРЕЖНО: Завжди вставляйте касету з акумулятором повністю, щоб червоного індикатора не було видно. Якщо цього не зробити, касета може випадково випасти з інструмента та завдати травми вам або людям, що знаходяться поряд.

⚠ ОБЕРЕЖНО: Не встановлюйте касету з акумулятором із зусиллям. Якщо касета не вставляється легко, то це означає, що ви її неправильно вставляєте.

Відображення залишкового заряду акумулятора

Тільки для касет з акумулятором, які мають індикатори

► **Рис.2:** 1. Індикаторні лампи 2. Кнопка перевірки
Натисніть кнопку перевірки на касеті з акумулятором для відображення залишкового ресурсу акумулятора. Індикаторні лампи загоряться на кілька секунд.

Індикаторні лампи			Залишковий ресурс
			
			від 75 до 100%
			від 50 до 75%
			від 25 до 50%
			від 0 до 25%
			Зарядіть акумулятор.
			Можливо, акумулятор вийшов з ладу.

ПРИМІТКА: Залежно від умов використання та температури оточуючого середовища показання можуть незначним чином відрізнятися від дійсного ресурсу.

ПРИМІТКА: Перша (дальня ліва) індикаторна лампа блимає під час роботи захисної системи акумулятора.

Система захисту інструмента/акумулятора

УВАГА: Залежно від умов експлуатації інструмент може автоматично вимикатися без увімкнення будь-яких індикаторів накопичення в ньому гілок або сміття. У цьому випадку слід вимкнути живлення інструмента й витягти касету з акумулятором, після чого видалити накопичені гілки або сміття, наприклад, плоскогубцями. Після видалення гілок або сміття встановіть касету з акумулятором на місце й увімкніть інструмент.

Інструмент оснащено системою захисту інструмента/акумулятора. Ця система автоматично вимикає живлення двигуна з метою збільшення терміну служби інструмента та акумулятора. Інструмент автоматично зупиняється під час роботи, якщо інструмент або акумулятор перебувають у зазначених нижче умовах.

Захист від перевантаження

Якщо умови експлуатації інструмента чи акумулятора спричиняють надмірно високе споживання струму, інструмент автоматично зупиняється. У такому випадку вимкніть інструмент і припиніть роботу, під час виконання якої сталося його перевантаження. Потім знову увімкніть інструмент, щоб перезапустити його.

Захист від перегрівання

Коли інструмент або акумулятор перегрівається, інструмент зупиняється автоматично. У такому разі дайте інструменту й акумулятору охолонути, перш ніж знову вмикати інструмент.

Захист від надмірного розрядження

Коли заряд акумулятора стає недостатнім для подальшої роботи, інструмент автоматично зупиняється. У такому випадку вийміть акумулятор з інструмента та зарядіть його.

Захист від інших неполадок

Система захисту також забезпечує захист від інших неполадок, які можуть призвести до пошкодження інструмента, і забезпечує автоматичне зупинення інструмента. У разі тимчасової зупинки або припинення роботи інструмента виконайте всі зазначені нижче дії для усунення причини зупинки.

1. Вимкніть і знову увімкніть інструмент, щоб перезапустити його.
2. Зарядіть акумулятор(и) або замініть його(їх) зарядженим(и).
3. Дайте інструменту й акумулятор(ам) охолонути.

Якщо після відновлення вихідного стану системи захисту ситуація не зміниться, зверніться до місцевого сервісного центру Makita.

УВАГА: Якщо інструмент зупиняється з причини, не описаної вище, див. розділ, що стосується усунення несправностей.

Дія вимикача

▲ ПОПЕРЕДЖЕННЯ: З міркувань безпеки цей інструмент обладнано важелем вмикача, що запобігає ненавмисному запуску інструмента. **ЗАБОРОНЕНО** використовувати інструмент, якщо він запускається простим натисканням курка вмикача без натискання важеля вмикача. **ПЕРЕД** подальшим використанням інструмент слід передати до нашого авторизованого сервісного центру для ремонту.

▲ ПОПЕРЕДЖЕННЯ: **ЗАБОРОНЕНО** фіксувати клейкою стрічкою або іншим чином вимикати функцію важеля вмикача.

▲ ПОПЕРЕДЖЕННЯ: Перед встановленням касети з акумулятором на інструмент слід перевірити, чи справно працюють курок вмикача та пусковий важіль та чи повертаються в положення «ВИМК.» після відпускання. Робота з інструментом, вмикач якого не спрацьовує належним чином, може призвести до втрати контролю над інструментом і до отримання серйозних травм.

▲ ОБЕРЕЖНО: Під час перенесення не тримайте палець на перемикачі. Може статися несанкціонований запуск інструмента, що призведе до травмування.

Щоб запустити інструмент, утримуючи його за передню ручку, натисніть важіль вмикача та потягніть курок вмикача. Щоб зупинити інструмент, відпустіть курок вмикача або важіль вмикача.

- **Рис.3:** 1. Передня ручка 2. Важіль вмикача
3. Курок вмикача

Індикаторна лампа

► **Рис.4:** 1. Індикаторна лампа

Індикаторна лампа блимає або світиться за розрядження акумулятора або перевантаження інструмента. Наведена нижче таблиця містить інформацію про можливі стани лампи й заходи, яких треба вжити.

Індикаторна лампа	Стан	Заходи, яких треба вжити
Лампа блимає червоним.	Низький рівень заряду акумулятора.	Зарядіть акумулятор або вставте повністю заряджений акумулятор.
Лампа загоряється червоним.	Акумулятор розряджений.	Зарядіть акумулятор або вставте повністю заряджений акумулятор.
	Інструмент зупинився через перевантаження.	Вимкніть інструмент і усуньте причину перевантаження.
	Інструмент зупинився через перегрівання.	Вимкніть інструмент і охолодіть інструмент і акумулятор.

ПРИМІТКА: Період часу, після якого індикаторна лампа починає блимати або загоряється, залежить від температури на місці виконання робіт і стану касети з акумулятором.

Функції електронного обладнання

Для полегшення роботи інструмент має електронні функції.

- Контроль постійної швидкості
Функція контролю швидкості забезпечує постійну швидкість обертання, незалежно від умов навантаження.
- Електричне гальмо
Цей інструмент обладнано електричним гальмом. Якщо після відпускання курка вмикача не відбувається швидкої зупинки лез інструмента, зверніться до сервісного центру Makita для обслуговування інструмента.
- Функція запобігання раптового перезапуску
Інструмент не запуститься навіть під час установлення касети з акумулятором за натиснутого курка вмикача. Щоб запустити інструмент, спочатку відпустіть і знову натисніть курок вмикача.

ЗБОРКА

▲ ОБЕРЕЖНО: Обов'язково переконайтеся, що прилад вимкнено, а касету з акумулятором знято, перш ніж проводити будь-які роботи з інструментом.

▲ ОБЕРЕЖНО: Для заміни лез секатора завжди надягайте рукавиці, щоб уникнути прямого контакту рук із лезами.

УВАГА: Не витирайте мастило з зубчатої передачі та кривошипного механізму, коли замінюєте ножове полотно.

Встановлення та зняття лез секатора

⚠ОБЕРЕЖНО: Установіть кришку перед зняттям чи встановленням ножевого полотна.

На інструмент можна встановити леза довжиною 500 мм або 600 мм.

1. Установіть кожух пили на ножеве полотно.

► **Рис.5:** 1. Кожух пили

2. Переверніть інструмент, потім викрутіть 6 болтів, а тоді зніміть кришку та пластину.

► **Рис.6:** 1. Болт 2. Кришка 3. Пластина

ПРИМІТКА: Пластина може залишатися на кришці.

3. Відрегулюйте кривошипний механізм за допомогою шліцевої викрутки таким чином, щоб 2 отвори розташувалися перпендикулярно ножевому полотну.

► **Рис.7:** 1. Кривошипний механізм 2. Отвір

4. Відкрутіть 2 болти, вийміть повстяну підкладку й муфти, після чого зніміть леза.

► **Рис.8:** 1. Повстяна підкладка 2. Болт 3. Муфта 4. Леза секатора

5. Зніміть кожух пили та надягніть його на нове ножеве полотно.

► **Рис.9:** 1. Кожух пили

6. Вирівняйте задні краї ножевого полотна, як показано на рисунку.

► **Рис.10:** 1. Задній край

7. Трохи посуňte ножеве полотно, як показано на рисунку, а потім прикріпіть втулки до ножевого полотна.

► **Рис.11:** 1. Муфта

8. Трохи посуňte кожух пили до кінчика ножевого полотна, а потім прикріпіть ножеве полотно до інструмента.

► **Рис.12:** 1. Леза секатора

УВАГА: Нанесіть невелику кількість мастила на внутрішню поверхню отвору ножевого полотна.

УВАГА: Будьте уважні, щоб не загубити муфти.

9. Посуňte ножеве полотно та втулки так, щоб отвори на втулках було суміщено з отворами на інструменті.

► **Рис.13:** 1. Отвір в інструменті 2. Отвір у втулці

10. Затягніть болти, щоб зафіксувати ножеве полотно.

► **Рис.14:** 1. Болт

11. Установіть повстяну прокладку на ножеве полотно.

► **Рис.15:** 1. Повстяна підкладка

12. Прикріпіть пластину.

► **Рис.16:** 1. Пластина

13. Прикріпіть кришку та затягніть 6 болтів.

► **Рис.17:** 1. Болт 2. Кришка

УВАГА: Якщо ножеве полотно рухається ривками, воно не входить у зачеплення з кривошипним механізмом належним чином. Установіть ножеве полотно заново.

УВАГА: У разі зношення будь-яких деталей інструмента (крім ножевого полотна), наприклад кривошипного механізму, зверніться до авторизованого сервісного центру компанії Makita щодо їх заміни або ремонту.

Установлення та зняття уловлювача скалок

Додаткове обладнання

⚠ОБЕРЕЖНО: Під час установки або зняття уловлювача скалок завжди надягайте рукавиці, щоб не торкатися лез руками.

УВАГА: Кожух леза не можна встановити, якщо на інструмент встановлено уловлювач скалок. Перед перенесенням інструмента або його тривалим зберіганням зніміть уловлювач скалок і встановіть кожух для захисту леза.

УВАГА: Не забудьте зняти кожух леза перед встановленням уловлювача скалок.

Уловлювач скалок збирає відкинуте листя разом, що значно полегшує подальше прибирання. Його можна встановлювати на будь-якому боці інструмента.

1. Сумістіть отвори на уловлювачі скалок із гвинтами на ножевому полотні.

► **Рис.18:** 1. Гвинт

2. Закріпіть затискачі уловлювача скалок у канавці на ножевому полотні.

► **Рис.19:** 1. Затискач 2. Канавка

3. Натисніть важелі на уловлювачі скалок, закріпіть затискачі на іншому боці в канавці на ножевих полотнах.

► **Рис.20:** 1. Важіль

Щоб зняти уловлювач скалок, натисніть на його важелі, щоб від'єднати затискачі.

► **Рис.21:** 1. Важіль

УВАГА: Не робіть спроб зняти уловлювач скалок, докладаючи надмірних зусиль, якщо його гачки утримують леза.

РОБОТА

⚠ ПОПЕРЕДЖЕННЯ: Тримайте руки на відстані від лез секатора.

⚠ ОБЕРЕЖНО: Якнайменше використовуйте інструмент у спекотну погоду. Під час використання інструмента стежте за своїм фізичним станом.

⚠ ОБЕРЕЖНО: Будьте обережні: не допускайте випадкового контакту з металом або іншими твердими предметами під час підрізання. Леза секатора можуть зламатися та спричинити травму.

⚠ ОБЕРЕЖНО: Уникайте контакту ножового полотна із землею. Інструмент може відскочити та спричинити травму.

⚠ ОБЕРЕЖНО: Не дотягуйтеся до віддалених зон, коли працюєте з пилою, особливо стоячи на дрabinі: це надзвичайно небезпечно. Під час роботи не стійте на нестійкій або неміцній поверхні.

УВАГА: Не намагайтеся зрізати пилою гілки, товстіші за 10 мм у діаметрі. Перш ніж скористатися цим інструментом, підріжте такі гілки на 10 см нижче висоти різання за допомогою садових ножиць.

► **Рис.22:** (1) Висота різання (2) 10 см

УВАГА: Не зрізуйте засохлі дерева чи інші подібні тверді предмети. Це може призвести до виходу інструмента з ладу.

УВАГА: Не підрізайте траву чи бур'ян цими лезами секатора. Леза секатора можуть заплутатися в траві чи бур'яні.

Тримайте інструмент обома руками. Тримаючись за передню ручку, натисніть важіль вмикача та потягніть курок вмикача, а потім посуňte інструмент уперед.

► **Рис.23**

Для роботи у звичайному режимі нахиліть леза секатора в напрямку різання, плавно й повільно рухайте інструмент в напрямку різання зі швидкістю один метр за 3 – 4 секунди.

► **Рис.24**

Щоб рівно обрізати верхню частину живоплоту, простягніть мотузку на потрібній висоті та виконуйте обрізку по мотузці.

► **Рис.25**

Якщо уловлювач скалок приєднано до лез секатора, він збирає відкинуте листя разом, що значно полегшує подальше прибирання.

► **Рис.26**

Щоб рівномірно підрізати бокову частину живоплоту, підрізуйте в напрямку знизу вгору.

► **Рис.27**

Щоб досягти гарного результату у створенні круглої форми (наприклад, у роботі з самшитом чи рододендромом), підрізуйте в напрямку від коріння до вершини.

► **Рис.28**

ТЕХНІЧНЕ ОБСЛУГОВУВАННЯ

⚠ ОБЕРЕЖНО: Перед здійсненням перевірки або обслуговування завжди перевіряйте, щоб інструмент був вимкнений, а касета з акумулятором була знята.

Для забезпечення БЕЗПЕКИ та НАДІЙНОСТІ продукції, її ремонт, а також роботи з обслуговування або регулювання повинні виконуватись уповноваженими або заводськими сервісними центрами Makita із використанням запчастин виробництва компанії Makita.

Очищення інструмента

Щоб очистити інструмент, протріть на ньому пил сухою тканиною або занурте його в мильну воду та вийміть звідти.

УВАГА: Ніколи не використовуйте газолін, бензин, розріджувач, спирт та подібні речовини. Їх використання може призвести до зміни кольору, деформації або появи тріщин.

Технічне обслуговування леза секатора

Перед роботою чи щогодини під час роботи змащуйте леза секатора мастилом із низькою в'язкістю (наприклад, машинне мастило чи змащувальний матеріал, що розпиляється).

► **Рис.29**

Після роботи слід видалити пил з обох боків лез секатора за допомогою дрютяної щітки, протерти їх тканиною, після чого нанести мастило з низькою в'язкістю (наприклад, машинне мастило чи змащувальний матеріал, що розпиляється).

► **Рис.30**

УВАГА: Не мийте леза секатора водою. Це може призвести до утворення іржі та пошкодження інструмента.

УВАГА: Бруд і корозія спричиняють надмірне тертя ножового полотна та скорочують час роботи після кожного циклу заряджання акумулятора.

Зберігання

Отвір для кріплення в нижній частині інструмента зручний для того, щоб повісити інструмент на цвях або шуруп на стіні.

Установіть кришку на ножове полотно так, щоб закрити його. Зберігайте інструмент у недоступному для дітей місці. Зберігайте інструмент у місці, що не зазнає впливу вологи та дощу.

► **Рис.31:** 1. Отвір

Заточування лез секатора

УВАГА: Якщо леза секатора було сильно деформовано під час заточування, замініть їх новими.

1. Установіть касету з акумулятором в інструмент.
2. Увімкніть і запустіть інструмент, щоб верхнє та нижнє леза розташувалися у розбіг.
► **Рис.32**
3. Вимкніть інструмент і витягніть з нього касету з акумулятором.
4. Тримаючи напилек під кутом 35° і рухаючи ним у 2 напрямках, заточіть верхнє лезо.
► **Рис.33:** (1) Напилек (2) 35°

⚠ОБЕРЕЖНО: Перед заточуванням лез переконатися в тому, що інструмент вимкнено й касету з акумулятором витягнуто з інструмента.

5. Переверніть інструмент і видаліть задирки з лез секатора точильним каменем.
► **Рис.34:** 1. Точильний камінь

6. Тримаючи напилек під кутом 35° і рухаючи ним у 2 напрямках, заточіть нижнє лезо.

7. Поверніть інструмент у нормальне положення й видаліть задирки з лез секатора точильним каменем.

Змащування консистентним мастилом

Інтервал змащування: кожні 50 години роботи

1. Вийміть болт з отвору для змащення.
► **Рис.35:** 1. Болт
2. Зніміть ковпачок із тюбика з мастилом. Сумістіть вихідний отвір тюбика з мастилом з отвором у кришці та поверніть тюбик із мастилом, щоб вкрити вихідний отвір тюбика з мастилом в отвір.
► **Рис.36:** 1. Резервуар для мастила 2. Отвір
3. Нанесіть мастило на інструмент (приблизно 3 г).
4. Зніміть резервуар для мастила.
5. Затягніть болт.

УСУНЕННЯ НЕСПРАВНОСТЕЙ

Перш ніж звертатися з приводу ремонту інструмента, проведіть його перевірку самостійно. У разі виявлення несправності, яку не описано в цьому посібнику, не намагайтеся розібрати інструмент. Натомість зверніться до авторизованих сервісних центрів Makita та використовуйте для ремонту тільки запасні частини виробництва компанії Makita.

Стан відхилення від норми	Можлива причина (несправність)	Спосіб виправлення
Двигун не працює.	Касета з акумулятором не встановлена.	Установіть касету з акумулятором.
	Проблема з акумулятором (знижена напруга)	Зарядіть акумулятор. Якщо заряджання не призвело до бажаного результату, замініть акумулятор.
	Система приводу працює неправильно.	Зверніться до місцевого авторизованого сервісного центру з приводу ремонту.
Двигун перестає працювати після короткочасного використання.	Низький рівень заряду акумулятора.	Зарядіть акумулятор. Якщо заряджання не призвело до бажаного результату, замініть акумулятор.
	Перегрів.	Припиніть використовувати інструмент та дозвольте йому охолонути.
Інструмент не досягає максимальної частоти обертання.	Акумулятор встановлений невірно.	Встановіть касету з акумулятором, як описано в цьому посібнику.
	Заряд акумулятора зменшується.	Зарядіть акумулятор. Якщо заряджання не призвело до бажаного результату, замініть акумулятор.
	Система приводу працює неправильно.	Зверніться до місцевого авторизованого сервісного центру з приводу ремонту.
Леза секатора не рухаються: ⇒ негайно зупиніть інструмент!	Сторонні предмети застрягли між лезами секатора.	Вимкніть живлення інструмента й витягніть касету з акумулятором, після чого видаліть гілки або сміття, наприклад плоскогубцями.
	Система приводу працює неправильно.	Зверніться до місцевого авторизованого сервісного центру з приводу ремонту.
Аномальна вібрація: ⇒ негайно зупиніть інструмент!	Леза секатора зламані, зігнуті або зношені.	Замініть леза секатора.
	Система приводу працює неправильно.	Зверніться до місцевого авторизованого сервісного центру з приводу ремонту.
Леза секатора й мотор не можуть зупинитися. ⇒ Негайно зніміть акумулятор!	Несправність електричної частини.	Зніміть акумулятор та зверніться до місцевого авторизованого сервісного центру з приводу ремонту.

ДОДАТКОВЕ ПРИЛАДДЯ

⚠ ОБЕРЕЖНО: Це додаткове та допоміжне обладнання рекомендовано використовувати з інструментом Makita, зазначеним у цій інструкції з експлуатації. Використання будь-якого іншого додаткового та допоміжного обладнання може становити небезпеку травмування. Використовуйте додаткове та допоміжне обладнання лише за призначенням.

У разі необхідності отримати допомогу в більш детальному ознайомленні з оснащенням звертайтеся до місцевого сервісного центру Makita.

- Комплект ножового полотна
- Кришка для ножового полотна
- Уловлювач скалок
- Резервуар для мастила
- Оригінальний акумулятор та зарядний пристрій Makita

ПРИМІТКА: Деякі елементи списку можуть входити до комплекту інструмента як стандартне приладдя. Вони можуть відрізнятися залежно від країни.

ТЕХНИЧЕСКИЕ ХАРАКТЕРИСТИКИ

Модель:	DUH506	DUH606
Длина ножа	500 мм	600 мм
Рабочая частота	4 000 мин ⁻¹	
Общая длина (без аккумулятора)	846 мм	965 мм
Номинальное напряжение	18 В пост. тока	
Масса нетто	2,5 – 2,9 кг	2,7 – 3,0 кг

- Благодаря нашей постоянно действующей программе исследований и разработок указанные здесь технические характеристики могут быть изменены без предварительного уведомления.
- Технические характеристики могут различаться в зависимости от страны.
- Масса может отличаться в зависимости от дополнительного оборудования. Обратите внимание, что блок аккумулятора также считается дополнительным оборудованием. В таблице представлены комбинации с наибольшим и наименьшим весом в соответствии с процедурой EPTA 01/2014.

Подходящий блок аккумулятора и зарядное устройство

Блок аккумулятора	BL1815N / BL1820B / BL1830B / BL1840B / BL1850B / BL1860B
Зарядное устройство	DC18RC / DC18RD / DC18RE / DC18SD / DC18SE / DC18SF / DC18SH / DC18WC

- В зависимости от региона проживания некоторые блоки аккумуляторов и зарядные устройства, перечисленные выше, могут быть недоступны.

⚠ ОСТОРОЖНО: Используйте только перечисленные выше блоки аккумуляторов и зарядные устройства. Использование других блоков аккумуляторов и зарядных устройств может привести к травме и/или пожару.





Рекомендованный источник электропитания с проводным подключением

Портативный блок питания	PDC01
--------------------------	-------

- В некоторых регионах определенные модели перечисленных выше источников электропитания с проводным подключением могут быть недоступны.
- Перед началом использования источника электропитания с проводным подключением изучите инструкцию и предупреждающие надписи на нем.

Символы

Ниже приведены символы, которые могут использоваться для обозначения оборудования. Перед использованием убедитесь в том, что вы понимаете их значение.

	Прочитайте руководство по эксплуатации.
	Используйте защитные очки.
	ОПАСНО! Держите руки на безопасном расстоянии от режущего диска.
	Бережь от влаги.



Ni-MH
Li-ion

Только для стран ЕС

В связи с наличием в оборудовании опасных компонентов отходы электрического и электронного оборудования, аккумуляторы и батареи могут оказывать негативное влияние на окружающую среду и здоровье человека.

Не выбрасывайте электрические и электронные устройства или батареи вместе с бытовыми отходами!

В соответствии с директивой ЕС по отходам электрического и электронного оборудования, по аккумуляторам, батареям и отходам аккумуляторов и батарей, а также в соответствии с ее адаптацией к национальному законодательству, отходы электрического оборудования, батареи и аккумуляторы следует хранить отдельно и доставлять на пункт раздельного сбора коммунальных отходов, работающий с соблюдением правил охраны окружающей среды. Это обозначено символом в виде перекрестного мусорного контейнера на колесах, нанесенным на оборудование.



Гарантированный уровень звуковой мощности в соответствии с Директивой ЕС по шумам вне помещений.



Уровень звуковой мощности в соответствии с Регламентом Австралии (Новый Южный Уэльс) по контролю за шумом

Назначение

Инструмент предназначен для подрезки живой изгороди.

Шум

Применимый стандарт : EN62841-4-2

Модель	Уровень звукового давления		Уровень звуковой мощности	
	L _{ра} (дБ(А))	Погрешность, К (дБ(А))	L _{чвв} (дБ(А))	Погрешность, К (дБ(А))
DUH506	77	3	88	3
DUH606	79	3	90	3

ПРИМЕЧАНИЕ: Заявленное значение распространения шума измерено в соответствии со стандартной методикой испытаний и может быть использовано для сравнения инструментов.

ПРИМЕЧАНИЕ: Заявленное значение распространения шума можно также использовать для предварительных оценок воздействия.

⚠ ОСТОРОЖНО: Используйте средства защиты слуха.

⚠ ОСТОРОЖНО: Распространение шума во время фактического использования электроинструмента может отличаться от заявленного значения в зависимости от способа применения инструмента и в особенности от типа обрабатываемой детали.

⚠ ОСТОРОЖНО: Обязательно определите меры безопасности для защиты оператора, основанные на оценке воздействия в реальных условиях использования (с учетом всех этапов рабочего цикла, таких как выключение инструмента, работа без нагрузки и включение).

Вибрация

Суммарное значение вибрации (сумма векторов по трем осям), определенное в соответствии с EN62841-4-2:

Модель	Передняя рукоятка		Задняя рукоятка	
	a _h (м/с ²)	Погрешность, К (м/с ²)	a _h (м/с ²)	Погрешность, К (м/с ²)
DUH506	2,5 м/с ² или менее	1,5	2,5 м/с ² или менее	1,5
DUH606	2,5 м/с ² или менее	1,5	2,5 м/с ² или менее	1,5

ПРИМЕЧАНИЕ: Заявленное общее значение распространения вибрации измерено в соответствии со стандартной методикой испытаний и может быть использовано для сравнения инструментов.

ПРИМЕЧАНИЕ: Заявленное общее значение распространения вибрации можно также использовать для предварительных оценок воздействия.

⚠ ОСТОРОЖНО: Распространение вибрации во время фактического использования электроинструмента может отличаться от заявленного значения в зависимости от способа применения инструмента и в особенности от типа обрабатываемой детали.

⚠ ОСТОРОЖНО: Обязательно определите меры безопасности для защиты оператора, основанные на оценке воздействия в реальных условиях использования (с учетом всех этапов рабочего цикла, таких как выключение инструмента, работа без нагрузки и включение).

Декларация о соответствии ЕС

Только для европейских стран

Декларация о соответствии ЕС включена в руководство по эксплуатации (Приложение А).

МЕРЫ БЕЗОПАСНОСТИ

Общие рекомендации по технике безопасности для электроинструментов

▲ОСТОРОЖНО: Ознакомьтесь со всеми представленными инструкциями по технике безопасности, указаниями, иллюстрациями и техническими характеристиками, прилагаемыми к данному электроинstrumentу. Несоблюдение каких-либо инструкций, указанных ниже, может привести к поражению электрическим током, пожару и/или серьезной травме.

Сохраните брошюру с инструкциями и рекомендациями для дальнейшего использования.

Термин "электроинструмент" в предупреждениях относится ко всему инструменту, работающему от сети (с проводом) или на аккумуляторах (без провода).

Правила техники безопасности при эксплуатации аккумулятора кустореза

1. **Держитесь на безопасном расстоянии от лезвия. Не удаляйте срезанные ветки и не придерживайте ветки, которые собираетесь срезать, когда диски находятся в движении.** После выключения выключателя лезвия продолжают двигаться. Секундная невнимательность при работе с электрическим кусторезом может привести к тяжелой травме.
2. **Переносите электрический кусторез за ручку после полной остановки лезвия и следите за тем, чтобы не нажать выключатель питания.** Переноска электрического кустореза при соблюдении мер безопасности снизит риск непреднамеренного пуска и получения травм от лезвий.
3. **При транспортировке или хранении электрического кустореза устанавливайте кожух лезвия.** Обращение с электрическим кусторезом при соблюдении мер безопасности снизит риск получения травм от лезвий.
4. **При удалении застрявших обрезков или обслуживании инструмента убедитесь в том, что все выключатели питания выключены, аккумуляторный блок извлечен или отсоединен.** Неожиданное срабатывание электрического кустореза во время удаления застрявших предметов или обслуживания может привести к тяжелым травмам.
5. **Держите электрический кусторез только за специальные изолированные поверхности, поскольку при выполнении работ существует риск контакта режущего диска со скрытой электропроводкой.** Контакт лезвий с находящимся под напряжением проводом приведет к тому, что на металлические детали электрического кустореза также будет подано напряжение, что приведет к поражению оператора электрическим током.

6. **Держите все шнуры питания и кабели на безопасном расстоянии от места срезания.** Труднозаметные в живых изгородях или кустах шнуры или кабели питания можно случайно разрезать лезвием.
7. **Не используйте электрический кусторез в неблагоприятных погодных условиях, особенно если существует риск удара молнией.** Это снижает риск удара молнией.
8. **При передаче электрического кустореза другому лицу сначала положите электрический кусторез на землю и забирайте его только после того, как он будет полностью отпущен.** Передавая электрический кусторез из рук в руки, вам придется брать его одновременно за переднюю и заднюю рукоятки, после чего электрический кусторез непреднамеренно запустится. Непреднамеренный запуск может привести к серьезной травме.

Дополнительные инструкции по технике безопасности

Подготовка

1. **Перед началом работ с инструментом проверяйте изгороди и кустарники на наличие посторонних предметов, таких как проволочные ограждения или скрытая электропроводка.**
2. **Инструментом не должны пользоваться дети или лица, не достигшие возраста 18 лет.** Лица старше 16 лет могут не подпадать под действие этого ограничения в случае, если они проходят обучение под надзором специалиста.
3. **В случае использования инструмента впервые необходимо, чтобы опытный специалист показал приемы работы с ним.**
4. **Используйте инструмент только в том случае, если находитесь в хорошем физическом состоянии.** Если вы устали, ваше внимание будет ослаблено. Соблюдайте повышенную осторожность в конце рабочего дня. Выполняйте все работы спокойно и аккуратно. Пользователь несет ответственность за ущерб, причиненный третьим лицам.
5. **Инструмент запрещается использовать после приема алкоголя, наркотиков или лекарственных препаратов.**
6. **Перчатки из толстой кожи являются частью необходимого рабочего набора. Обязательно надевайте их при эксплуатации инструмента. Кроме того, обязательно надевайте прочные ботинки с противоскользящими подошвами.**
7. **Перед началом работы убедитесь в том, что инструмент находится в исправном состоянии. Проверьте наличие и правильность установки соответствующих защитных кожухов. Инструмент можно использовать только в полностью собранном виде.**

Эксплуатация

1. Во время работы крепко удерживайте инструмент двумя руками.
 2. Инструмент предназначен для использования оператором на уровне земли. Не используйте инструмент на лестницах или любой другой неустойчивой опоре.
 3. ОПАСНО - Держите руки на расстоянии от режущего диска. Прикосновение к диску может привести к серьезной травме.
 4. Не пользуйтесь инструментом во время дождя и в условиях высокой влажности. Электродвигатель не защищен от влаги.
 5. Перед началом работы займите устойчивое положение.
 6. Не эксплуатируйте инструмент без нагрузки, если в этом нет необходимости.
 7. Немедленно выключите инструмент и извлеките блок аккумулятора, если срезающие лезвия задеют ограду или другой твердый предмет. Убедитесь в отсутствии повреждений на лезвиях. Незамедлительно замените лезвия в случае наличия на них повреждений.
 8. Перед проверкой срезающих лезвий, устранением неисправностей или удалением застрявшего в срезающих лезвиях материала обязательно выключите инструмент и извлеките блок аккумулятора.
 9. Никогда не направляйте лезвия секатора на себя или окружающих.
 10. Если во время работы ножи останавливаются вследствие застревания между ними посторонних предметов, отключите инструмент и извлеките блок аккумулятора, после чего удалите посторонние предметы, например, плоскогубцами. Удаление посторонних предметов руками сопряжено с риском травмирования, поскольку при удалении посторонних предметов ножи могут сместиться.
2. Переноса инструмент в другое место (в том числе во время работы), обязательно извлекайте блок аккумулятора и устанавливайте кожух лезвия на срезающие лезвия. Запрещено переносить или перевозить инструмент с движущимися лезвиями. Запрещено брать руками за лезвия.
 3. Очищайте инструмент и особенно срезающие лезвия после использования, а также перед длительным хранением. Нанесите небольшое количество смазки на лезвия и наденьте кожух лезвия.
 4. Храните инструмент с установленным кожухом лезвия в чехле в сухом помещении. Берегите от детей. Запрещается хранить инструмент вне помещения.
 5. Не бросайте аккумуляторные блоки в огонь. Они могут взорваться. Уточните местные правила утилизации аккумуляторов.
 6. Не вскрывайте и не разбивайте аккумуляторы. Содержащийся в них электролит очень едкий, вы можете повредить глаза или кожу. При проглатывании может привести к отравлению.
 7. Не заряжайте аккумулятор под дождем или в местах с повышенной влажностью.

Электробезопасность

1. Избегайте опасных сред. Не используйте инструмент в местах с повышенной влажностью и под дождем. Попавшая в инструмент вода повышает опасность поражения электрическим током.
2. Не бросайте аккумуляторные блоки в огонь. Они могут взорваться. Уточните местные правила утилизации аккумуляторов.
3. Не вскрывайте и не разбивайте аккумуляторы. Содержащийся в них электролит очень едкий, вы можете повредить глаза или кожу. При проглатывании это вещество может вызвать отравление.
4. Не заряжайте аккумулятор под дождем или в местах с повышенной влажностью.
5. Не заряжайте аккумулятор на улице.
6. Не касайтесь зарядного устройства, а также штекера и контактов зарядного устройства влажными руками.

Техническое обслуживание и хранение

1. Перед выполнением технического обслуживания выключите инструмент и извлеките блок аккумулятора.

СОХРАНИТЕ ДАННЫЕ ИНСТРУКЦИИ.

▲ОСТОРОЖНО: НЕ ДОПУСКАЙТЕ, чтобы удобство или опыт эксплуатации данного устройства (полученный от многократного использования) доминировали над строгим соблюдением правил техники безопасности при обращении с этим устройством. НЕПРАВИЛЬНОЕ ИСПОЛЬЗОВАНИЕ инструмента или несоблюдение правил техники безопасности, указанных в данном руководстве, может привести к тяжелой травме.

Важные правила техники безопасности для работы с аккумуляторным блоком

1. Перед использованием аккумуляторного блока прочитайте все инструкции и предупреждающие надписи на (1) зарядном устройстве, (2) аккумуляторном блоке и (3) инструменте, работающем от аккумуляторного блока.
2. Не разбирайте блок аккумулятора и не меняйте его конструкцию. Это может привести к пожару, перегреву или взрыву.
3. Если время работы аккумуляторного блока значительно сократилось, немедленно прекратите работу. В противном случае, может возникнуть перегрев блока, что приведет к ожогам и даже к взрыву.
4. В случае попадания электролита в глаза промойте их обильным количеством чистой воды и немедленно обратитесь к врачу. Это может привести к потере зрения.

5. Не замыкайте контакты аккумуляторного блока между собой:
 - (1) Не прикасайтесь к контактам какими-либо токопроводящими предметами.
 - (2) Не храните аккумуляторный блок в контейнере вместе с другими металлическими предметами, такими как гвозди, монеты и т. п.
 - (3) Не допускайте попадания на аккумуляторный блок воды или дождя.

Замыкание контактов аккумуляторного блока между собой может привести к возникновению большого тока, перегреву, возможному ожогу и даже поломке блока.
6. Не храните и не используйте инструмент и аккумуляторный блок в местах, где температура может достигать или превышать 50 °C (122 °F).
7. Не бросайте аккумуляторный блок в огонь, даже если он сильно поврежден или полностью вышел из строя. Аккумуляторный блок может взорваться под действием огня.
8. Запрещено вбивать гвозди в блок аккумулятора, резать, ломать, бросать, ронять блок аккумулятора или ударять его твердым предметом. Это может привести к пожару, перегреву или взрыву.
9. Не используйте поврежденный аккумуляторный блок.
10. Входящие в комплект литий-ионные аккумуляторы должны эксплуатироваться в соответствии с требованиями законодательства об опасных товарах.

При коммерческой транспортировке, например, третьей стороной или экспедитором, необходимо нанести на упаковку специальные предупреждения и маркировку.

В процессе подготовки устройства к отправке обязательно проконсультируйтесь со специалистом по опасным материалам. Также соблюдайте местные требования и нормы. Они могут быть строже.

Закройте или закрепите разомкнутые контакты и упакуйте аккумулятор так, чтобы он не перемещался по упаковке.
11. Для утилизации блока аккумулятора извлеките его из инструмента и утилизируйте безопасным способом. Выполняйте требования местного законодательства по утилизации аккумуляторного блока.
12. Используйте аккумуляторы только с продукцией, указанной Makita. Установка аккумуляторов на продукцию, не соответствующую требованиям, может привести к пожару, перегреву, взрыву или утечке электролита.
13. Если инструментом не будут пользоваться в течение длительного периода времени, извлеките аккумулятор из инструмента.
14. Во время и после использования блок аккумулятора может нагреваться, что может стать причиной ожогов или низкотемпературных ожогов. Будьте осторожны при обращении с горячим блоком аккумулятора.
15. Не прикасайтесь к контактам инструмента сразу после использования, поскольку они могут быть достаточно горячими, чтобы вызвать ожоги.
16. Не допускайте налипания на контакты, отверстия и пазы блока аккумулятора опилок, пыли или земли. Это может стать причиной перегрева, возгорания, взрыва или неисправности инструмента или блока аккумулятора, что может привести к ожогам или травмам.
17. Если инструмент не рассчитан на использование вблизи высоковольтных линий электропередач, не используйте блок аккумулятора вблизи высоковольтных линий электропередач. Это может привести к неисправности, поломке инструмента или блока аккумулятора.
18. Храните аккумулятор в недоступном для детей месте.

СОХРАНИТЕ ДАННЫЕ ИНСТРУКЦИИ.

▲ВНИМАНИЕ: Используйте только фирменные аккумуляторные батареи Makita. Использование аккумуляторных батарей, не произведенных Makita, или батарей, которые были подвергнуты модификациям, может привести к взрыву аккумулятора, пожару, травмам и повреждению имущества. Это также автоматически аннулирует гарантию Makita на инструмент и зарядное устройство Makita.

Советы по обеспечению максимального срока службы аккумулятора

1. Заряжайте блок аккумуляторов перед его полной разрядкой. Обязательно прекратите работу с инструментом и зарядите блок аккумуляторов, если вы заметили снижение мощности инструмента.
2. Никогда не подзаряжайте полностью заряженный блок аккумуляторов. Перезарядка сокращает срок службы аккумулятора.
3. Заряжайте блок аккумуляторов при комнатной температуре в 10 - 40 °C (50 - 104 °F). Перед зарядкой горячего блока аккумуляторов дайте ему остыть.
4. Если блок аккумулятора не используется, извлеките его из инструмента или зарядного устройства.
5. Зарядите ионно-литиевый аккумуляторный блок, если вы не будете пользоваться инструментом длительное время (более шести месяцев).

ОПИСАНИЕ РАБОТЫ

ВНИМАНИЕ: Перед регулировкой или проверкой функций инструмента обязательно убедитесь, что он выключен и его аккумуляторный блок снят.

Установка или снятие блока аккумулятора

ВНИМАНИЕ: Обязательно выключайте инструмент перед установкой и извлечением аккумуляторного блока.

ВНИМАНИЕ: При установке и извлечении аккумуляторного блока крепко удерживайте инструмент и аккумуляторный блок. Если не соблюдать это требование, они могут выскользнуть из рук, что приведет к повреждению инструмента, аккумуляторного блока и травмированию оператора.

► **Рис.1:** 1. Красный индикатор 2. Кнопка 3. Блок аккумулятора

Для снятия аккумуляторного блока нажмите кнопку на лицевой стороне и извлеките блок.

Для установки блока аккумулятора совместите выступ блока аккумулятора с пазом в корпусе и задвиньте его на место. Устанавливайте блок до упора, чтобы он зафиксировался с небольшим щелчком. Если вы видите красный индикатор, как показано на рисунке, он не зафиксирован полностью.

ВНИМАНИЕ: Обязательно устанавливайте блок аккумулятора до конца, чтобы красный индикатор не был виден. В противном случае блок аккумулятора может выпасть из инструмента и нанести травму вам или другим людям.

ВНИМАНИЕ: Не прилагайте чрезмерных усилий при установке аккумуляторного блока. Если блок не двигается свободно, значит он вставлен неправильно.

Индикация оставшегося заряда аккумулятора

Только для блоков аккумулятора с индикатором

► **Рис.2:** 1. Индикаторы 2. Кнопка проверки

Нажмите кнопку проверки на аккумуляторном блоке для проверки заряда. Индикаторы загорятся на несколько секунд.

Индикаторы			Уровень заряда
Горит	Выкл.	Мигает	
■ ■ ■ ■			от 75 до 100%
■ ■ ■ □			от 50 до 75%
■ ■ □ □			от 25 до 50%
■ □ □ □			от 0 до 25%
▣ □ □ □			Зарядите аккумуляторную батарею.
■ ■ □ □			Возможно, аккумуляторная батарея неисправна.
□ □ ■ ■			

ПРИМЕЧАНИЕ: В зависимости от условий эксплуатации и температуры окружающего воздуха индикация может незначительно отличаться от фактического значения.

ПРИМЕЧАНИЕ: Первая (дальняя левая) индикаторная лампа будет мигать во время работы защитной системы аккумулятора.

Система защиты инструмента/аккумулятора

ПРИМЕЧАНИЕ: В зависимости от условий эксплуатации инструмент может автоматически отключаться без включения каких-либо индикаторов накопившихся в нем веток или мусора. В этом случае следует отключить питание инструмента и извлечь блок аккумулятора, после чего удалить накопившиеся ветки или мусор, например, плоскогубцами. После удаления веток или мусора установите блок аккумулятора на место и включите инструмент.

На инструменте предусмотрена система защиты инструмента/аккумулятора. Она автоматически отключает питание двигателя для продления срока службы инструмента и аккумулятора. Инструмент автоматически остановится во время работы в следующих случаях:

Защита от перегрузки

Если из-за определенного режима эксплуатации инструмента или аккумулятора возникает слишком большой ток, осуществляется автоматическая остановка инструмента. В этом случае выключите инструмент и прекратите работу, из-за которой произошла перегрузка инструмента. Затем включите инструмент для перезапуска.

Защита от перегрева

При перегреве инструмента или аккумулятора инструмент останавливается автоматически. В этом случае дайте инструменту и аккумулятору остыть перед повторным включением.

Защита от переразрядки

При истощении емкости аккумулятора инструмент автоматически останавливается. В этом случае извлеките аккумулятор из инструмента и зарядите его.

Защита от других неполадок

Система защиты также обеспечивает защиту от других неполадок, способных повредить инструмент, и обеспечивает автоматическую остановку инструмента. В случае временной остановки или прекращения работы инструмента выполните все перечисленные ниже действия для устранения причины остановки.

1. Выключите и снова включите инструмент для его перезапуска.
2. Зарядите аккумулятор(-ы) или замените его (их) на заряженный(-е).
3. Дайте устройству и аккумулятору(-ам) остыть.

Если после возврата системы защиты в исходное состояние ситуация не изменится, обратитесь в сервисный центр Makita.

ПРИМЕЧАНИЕ: Если инструмент останавливается по причине, не описанной выше, см. раздел, касающийся поиска и устранения неисправностей.

Действие выключателя

▲ ОСТОРОЖНО: В целях безопасности данный инструмент оснащен рычагом переключателя, который предотвращает случайное включение инструмента. **ЗАПРЕЩЕНО** использовать инструмент после оттягивания триггерного переключателя без нажатия на рычаг переключателя. **ПРЕКРАТИТЕ** использование инструмента и передайте его в авторизованный сервисный центр для надлежащего ремонта.

▲ ОСТОРОЖНО: НИ В КОЕМ СЛУЧАЕ НЕ фиксируйте рычаг переключателя липкой лентой и не вносите в его конструкцию каких-либо изменений, препятствующих реализации его целевого назначения и функции.

▲ ОСТОРОЖНО: Перед установкой блока аккумулятора в инструмент обязательно убедитесь в том, что триггерный переключатель и рычажный выключатель нормально работают и возвращаются в положение “OFF” (ВЫКЛ.) после отпущения. Эксплуатация инструмента с неисправным переключателем может привести к потере контроля над инструментом и получению тяжелой травмы.

▲ ВНИМАНИЕ: Никогда не кладите палец на переключатель во время переноски. Инструмент может включиться непреднамеренно и причинить травму.

Для запуска инструмента возьмите его за переднюю рукоятку, нажимая на рычаг переключателя и оттягивая триггерный переключатель. Для остановки инструмента оттяните триггерный переключатель, держа инструмент за переднюю рукоятку и нажимая на рычаг переключателя.

► **Рис.3:** 1. Передняя рукоятка 2. Рычаг переключателя 3. Триггерный переключатель

Индикаторная лампа

► **Рис.4:** 1. Индикаторная лампа

Индикаторная лампа начинает мигать или гореть непрерывно при низком уровне заряда аккумулятора или перегрузке инструмента. В приведенной ниже таблице содержится информация о возможных состояниях и действиях, которые следует предпринять.

Индикаторная лампа	Состояние	Необходимое действие
Лампа мигает красным цветом.	Низкий уровень заряда аккумулятора.	Подзарядите аккумулятор или замените его на заряженный.
Лампа горит красным цветом.	Аккумулятор полностью разряжен.	Подзарядите аккумулятор или замените его на заряженный.
	Инструмент остановился из-за перегрузки.	Выключите инструмент и устраните причину перегрузки.
	Инструмент остановился из-за перегрева.	Выключите инструмент, затем остудите инструмент и аккумулятор.

ПРИМЕЧАНИЕ: Время начала мигания или непрерывного горения индикаторной лампы зависит от температуры в месте выполнения работ и состояния блока аккумулятора.

Электронная функция

Для простоты эксплуатации инструмент оснащен электронными функциями.

- Постоянный контроль скорости
Функция контроля скорости обеспечивает неизменное число оборотов независимо от нагрузки.
- Электрический тормоз
Этот инструмент оснащен электрическим тормозом. Если инструмент регулярно не обеспечивает быстрого останова срезающих лезвий после отпущения триггерного переключателя, отправьте инструмент в официальный сервисный центр Makita для обслуживания.
- Функция предотвращения случайного запуска
Инструмент не запустится даже во время установки блока аккумулятора при нажатом триггерном переключателе. Для включения инструмента сначала отпустите, а затем снова нажмите триггерный переключатель.

СБОРКА

⚠ВНИМАНИЕ: Перед проведением каких-либо работ с инструментом обязательно убедитесь, что инструмент отключен, а блок аккумулятора снят.

⚠ВНИМАНИЕ: При замене лезвий секатора обязательно надевайте перчатки, чтобы не касаться лезвий руками.

ПРИМЕЧАНИЕ: При замене режущих ножей не удаляйте смазочный материал с редуктора или кривошипа.

Установка или снятие лезвий секатора

⚠ВНИМАНИЕ: Установите чехол лезвия перед тем, как снимать или устанавливать режущие ножи.

На инструмент можно установить срезающие лезвия длиной 500 мм или 600 мм.

1. Установите чехол для лезвий на лезвия секатора.
▶ **Рис.5:** 1. Чехол для лезвий
2. Переверните инструмент, выверните 6 болтов, а затем снимите чехол и пластину.
▶ **Рис.6:** 1. Болт 2. Кожух 3. Пластина

ПРИМЕЧАНИЕ: Пластину можно оставить на крышке.

3. Поверните кривошип с помощью плоской отвертки таким образом, чтобы ось двух отверстий была перпендикулярна лезвиям секатора.
▶ **Рис.7:** 1. Кривошип 2. Отверстие
4. Открутите 2 болта, выньте войлочную подкладку и муфты, после чего снимите срезающие лезвия.
▶ **Рис.8:** 1. Войлочная подкладка 2. Болт 3. Муфта 4. Лезвия секатора
5. Снимите чехол для лезвий и наденьте его на новые лезвия секатора.
▶ **Рис.9:** 1. Чехол для лезвий
6. Совместите задние кромки лезвий секатора, как показано на рисунке.
▶ **Рис.10:** 1. Задняя кромка
7. Слегка сдвиньте лезвия секатора, как показано на рисунке, а затем прикрепите муфты к лезвиям секатора.
▶ **Рис.11:** 1. Муфта
8. Слегка сдвиньте чехол для лезвий в направлении кончика лезвий секатора, а затем прикрепите лезвия секатора к инструменту.
▶ **Рис.12:** 1. Лезвия секатора

ПРИМЕЧАНИЕ: Нанесите небольшое количество смазки на внутреннюю поверхность отверстия лезвий секатора.

ПРИМЕЧАНИЕ: Не потеряйте муфты.

9. Сдвиньте лезвия секатора и муфты таким образом, чтобы отверстия муфт совместились с отверстиями инструмента.

- ▶ **Рис.13:** 1. Отверстие в инструменте
2. Отверстие в муфте

10. Затяните болты для фиксации лезвий секатора.

- ▶ **Рис.14:** 1. Болт

11. Прикрепите войлочную подкладку к лезвиям секатора.

- ▶ **Рис.15:** 1. Войлочная подкладка

12. Прикрепите пластину.

- ▶ **Рис.16:** 1. Пластина

13. Прикрепите кожух и затяните 6 болтов.

- ▶ **Рис.17:** 1. Болт 2. Кожух

ПРИМЕЧАНИЕ: Если лезвия секатора не могут двигаться плавно, это означает, что они не сцеплены с кривошипом надлежащим образом. В этом случае установите лезвия секатора заново.

ПРИМЕЧАНИЕ: В случае износа каких-либо деталей инструмента, кроме лезвий секатора, например кривошипа, обратитесь в авторизованный сервисный центр Makita для их замены или ремонта.

Установка или снятие сборника обрезков

Дополнительные принадлежности

⚠ВНИМАНИЕ: При установке или снятии сборника обрезков всегда надевайте перчатки, чтобы не касаться лезвий руками.

ПРИМЕЧАНИЕ: Кожух лезвия нельзя установить, если на инструмент установлен сборник обрезков. Перед переноской инструмента или его длительным хранением снимите сборник обрезков и установите кожух для защиты лезвия.

ПРИМЕЧАНИЕ: Не забудьте снять кожух лезвия перед установкой сборника отрезков.

Срезанные листья попадают в сборник обрезков, что облегчает уборку после проведения работ. Его можно установить с любой из двух сторон инструмента.

1. Совместите отверстия на сборнике обрезков с винтами на режущих ножах.

- ▶ **Рис.18:** 1. Винт

2. Закрепите захваты сборника обрезков в канавке на режущих ножах.

- ▶ **Рис.19:** 1. Захват 2. Канавка

3. Нажмите на рычаги на сборнике обрезков, а затем закрепите захваты с другой стороны в канавке на режущих ножах.

- ▶ **Рис.20:** 1. Рычаг

Для снятия сборника обрезков нажмите на рычаги, чтобы освободить захваты.

- ▶ **Рис.21:** 1. Рычаг

ПРИМЕЧАНИЕ: Не пытайтесь снять сборник обрезков, прилагая чрезмерное усилие, пока фиксаторы удерживают срезающие лезвия.

ЭКСПЛУАТАЦИЯ

⚠ ОСТОРОЖНО: Держите руки на расстоянии от лезвий секатора.

⚠ ВНИМАНИЕ: По возможности не используйте инструмент в жаркую погоду. При работе с инструментом учитывайте свое физическое состояние.

⚠ ВНИМАНИЕ: Соблюдайте осторожность, чтобы во время работы случайно не задеть металлическую ограду или другие твердые предметы. Лезвия секатора могут сломаться или нанести серьезную травму.

⚠ ВНИМАНИЕ: Соблюдайте осторожность, чтобы не допустить соприкосновения режущих ножей с землей. Инструмент может причинить серьезную травму из-за отдачи.

⚠ ВНИМАНИЕ: Не пытайтесь дотянуться инструментом до отдаленных веток, особенно с лестницы. Это очень опасно. Во время работы не стойте на шатких или неустойчивых предметах.

ПРИМЕЧАНИЕ: Не пытайтесь с помощью этого инструмента резать ветки толще 10 мм в диаметре. Перед использованием данного инструмента с помощью веткорезов обрежьте ветки до высоты на 10 см ниже, чем высота срезания.

► **Рис.22:** (1) Высота срезания (2) 10 см

ПРИМЕЧАНИЕ: Не срезайте сухие деревья или аналогичные твердые объекты. Невыполнение этого требования может привести к повреждению инструмента.

ПРИМЕЧАНИЕ: Не подрезайте траву или сорняки лезвиями секатора. Лезвия секатора могут запутаться в траве или сорняках.

Держа инструмент двумя руками, возьмитесь за переднюю рукоятку, нажимая на рычаг переключателя, и оттяните триггерный переключатель, а затем подайте инструмент вперед.

► **Рис.23**

Для работы в обычном режиме наклоните лезвия секатора в направлении резания, плавно и медленно перемещайте инструмент в направлении резания со скоростью один метр за 3 – 4 секунды.

► **Рис.24**

Чтобы ровно обрезать верхнюю часть изгороди, протяните веревку на нужной высоте и выполняйте обрезку по ней.

► **Рис.25**

Если к лезвиям секатора присоединен сборник обрезков, то срезанные листья будут скапливаться в нем, что, в свою очередь, облегчит уборку после проведения работ.

► **Рис.26**

Чтобы ровно обрезать боковую часть живой изгороди, рекомендуется резать снизу вверх.

► **Рис.27**

Если вы хотите при стрижке придать объекту (например, кусту самшита, рододендрону и т. п.) шарообразную форму, выполняйте стрижку снизу вверх, начиная с основания. Так вам будет легче добиться желаемого результата.

► **Рис.28**

ОБСЛУЖИВАНИЕ

⚠ ВНИМАНИЕ: Перед проведением проверки или работ по техобслуживанию всегда проверяйте, что инструмент выключен, а блок аккумулятора снят.

Для обеспечения БЕЗОПАСНОСТИ и НАДЕЖНОСТИ оборудования ремонт, любое другое техобслуживание или регулировку необходимо производить в уполномоченных сервис-центрах Makita или сервис-центрах предприятия с использованием только сменных частей производства Makita.

Очистка инструмента

При выполнении очистки инструмента требуется вытирать пыль сухой либо смоченной мыльной водой и выжатой тканью.

ПРИМЕЧАНИЕ: Запрещается использовать бензин, растворители, спирт и другие подобные жидкости. Это может привести к обезцвечиванию, деформации и трещинам.

Техническое обслуживание лезвия секатора

Перед началом или после каждого часа эксплуатации наносите смазочный материал низкой вязкости (машинное масло или смазочное масло в виде спрея) на лезвия секатора.

► **Рис.29**

После завершения работ необходимо проволочной щеткой очистить обе стороны лезвий секатора от пыли, протереть их тканью, а затем нанести смазочный материал низкой вязкости (машинное масло или смазочное масло в виде спрея) на лезвия секатора.

► **Рис.30**

ПРИМЕЧАНИЕ: Не промывайте лезвия секатора водой. Это может привести к повреждению инструмента или появлению на нем ржавчины.

ПРИМЕЧАНИЕ: Грязь и коррозия приводят к чрезмерному трению лезвия и уменьшают срок работы от одного заряда аккумулятора.

Хранение

Отверстие в нижней части инструмента служит для подвешивания на гвоздь или шуруп в стене. Наденьте чехол для лезвия на режущие ножи, чтобы они не подвергались внешним воздействиям. Храните инструмент в недоступном для детей месте. Не допускайте попадания на инструмент воды или дождя.

► **Рис.31:** 1. Отверстие

Заточка лезвий секатора

ПРИМЕЧАНИЕ: Если лезвия секатора были сильно деформированы при заточке, замените их новыми.

1. Установите блок аккумулятора на инструмент.
2. Включите и запустите инструмент, чтобы верхнее и нижнее лезвия располагались вразбегку.
► **Рис.32**
3. Отключите инструмент и извлеките из него блок аккумулятора.
4. Держа напильник под углом 35° и двигая им в двух направлениях, заточите верхнее лезвие.
► **Рис.33:** (1) Напильник (2) 35°

ВНИМАНИЕ: Перед заточкой лезвий убедитесь в том, что инструмент выключен и блок аккумулятора извлечен из инструмента.

5. Переверните инструмент и удалите заусенцы с лезвий секатора шлифовальным камнем.
► **Рис.34:** 1. Шлифовальный камень

6. Держа напильник под углом 35° и двигая им в двух направлениях, заточите нижнее лезвие.

7. Верните инструмент в нормальное положение и удалите заусенцы с лезвий секатора шлифовальным камнем.

Смазывание консистентной смазкой

Интервал смазывания: каждые 50 часов работы

1. Удалите болт из отверстия для смазывания.

► **Рис.35:** 1. Болт

2. Снимите крышку с тюбика со смазкой. Совместите выходной конец тюбика со смазкой с отверстием в кожухе, а затем поверните тюбик, чтобы вернуть его выходной конец в отверстие.
► **Рис.36:** 1. Резервуар для смазки 2. Отверстие

3. Нанесите смазку на инструмент (приблизительно 3 г).

4. Отсоедините резервуар для смазки.

5. Затяните болт.

ПОИСК И УСТРАНЕНИЕ НЕИСПРАВНОСТЕЙ

Прежде чем обращаться по поводу ремонта, проведите осмотр самостоятельно. Если обнаружена неисправность, не указанная в руководстве, не пытайтесь разобрать инструмент. Обратитесь в один из авторизованных сервисных центров Makita, в которых для ремонта всегда используются оригинальные детали Makita.

Состояние неисправности	Возможная причина (неисправности)	Способ устранения
Не работает электромотор.	Не вставлен блок аккумулятора.	Установите блок аккумулятора.
	Неисправен аккумулятор (под напряжением)	Зарядите аккумулятор. Если перезарядка не помогает, замените аккумулятор.
	Привод работает неправильно.	Обратитесь в местный авторизованный центр для ремонта.
После непродолжительного использования двигатель останавливается.	Низкий уровень заряда аккумулятора.	Зарядите аккумулятор. Если перезарядка не помогает, замените аккумулятор.
	Перегрев.	Прекратите работу и дайте инструменту остыть.
Инструмент не достигает максимальной частоты вращения.	Неправильно установлен аккумулятор.	Вставьте блок аккумулятора, как описано в этом руководстве.
	Заряд аккумулятора падает.	Зарядите аккумулятор. Если перезарядка не помогает, замените аккумулятор.
	Привод работает неправильно.	Обратитесь в местный авторизованный центр для ремонта.
Срезающие лезвия не двигаются: ⇒ немедленно выключите машину!	Посторонние предметы застряли между срезающими лезвиями.	Выключите инструмент и извлеките блок аккумулятора, а затем удалите посторонние предметы подходящими инструментами, например плоскогубцами.
	Привод работает неправильно.	Обратитесь в местный авторизованный центр для ремонта.
Сильная вибрация: ⇒ немедленно выключите машину!	Срезающие лезвия сломаны, согнуты или изношены.	Замените срезающие лезвия.
	Привод работает неправильно.	Обратитесь в местный авторизованный центр для ремонта.
Срезающие лезвия и двигатель не останавливаются. ⇒ Немедленно извлеките аккумулятор!	Неисправность электрической части.	Извлеките аккумулятор и обратитесь в местный авторизованный сервисный центр для ремонта.

ДОПОЛНИТЕЛЬНЫЕ ПРИНАДЛЕЖНОСТИ

⚠ ВНИМАНИЕ: Данные принадлежности или приспособления рекомендуются для использования с инструментом Makita, указанным в настоящем руководстве. Использование других принадлежностей или приспособлений может привести к получению травмы. Используйте принадлежность или приспособление только по указанному назначению.

Если вам необходимо содействие в получении дополнительной информации по этим принадлежностям, свяжитесь с вашим сервис-центром Makita.

- Лезвие в сборе
- Чехол для лезвия
- Сборник обрезков
- Резервуар для смазки
- Оригинальный аккумулятор и зарядное устройство Makita

ПРИМЕЧАНИЕ: Некоторые элементы списка могут входить в комплект инструмента в качестве стандартных приспособлений. Они могут отличаться в зависимости от страны.

Makita Europe N.V. Jan-Baptist Vinkstraat 2,
3070 Kortenberg, Belgium

Makita Corporation 3-11-8, Sumiyoshi-cho,
Anjo, Aichi 446-8502 Japan

www.makita.com

885987-966
EN, SL, SQ, BG,
HR, MK, SR, RO,
UK, RU
20220624